

City of San Diego

CITY CONTACT: Juan E. Espindola, Senior Contract Specialist, Email: JEEspindola@sandiego.gov
Phone No. (619) 533-4491

ADDENDUM C



FOR

NORTH PARK MINI PARK

BID NO.:	<u>K-20-1864-DBB-3</u>
SAP NO. (WBS/IO/CC):	<u>S-10050</u>
CLIENT DEPARTMENT:	<u>1714</u>
COUNCIL DISTRICT:	<u>3</u>
PROJECT TYPE:	<u>GC</u>

BID DUE DATE:

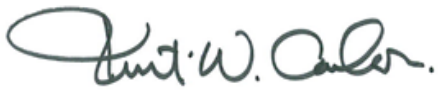
**2:00 PM
SEPTEMBER 3, 2019**

CITY OF SAN DIEGO'S ELECTRONIC BIDDING SITE, PLANETBIDS

<http://www.sandiego.gov/cip/bidopps/index.shtml>

ENGINEER OF WORK

The engineering Specifications and Special Provisions contained herein have been prepared by or under the direction of the following Registered Engineer:



08/12/2019

Seal:



1) Registered Engineer

Date



08/12/2019

Seal:



2) For City Engineer

Date

A. CHANGES TO CONTRACT DOCUMENTS

The following changes to the Contract Documents are hereby made effective as though originally issued with the bid package. Bidders are reminded that all previous requirements to this solicitation remain in full force and effect.

THE SUBMITTAL DATE FOR THIS PROJECT HAS BEEN **EXTENDED AS STATED ON THE COVER PAGE.**

B. SUPPLEMENTARY SPECIAL PROVISIONS

1. To Section 200-2.7.4, Stabilized Decomposed Granite, page 49, **DELETE** in its entirety.
2. To Section 200-2.7.5, Stabilized Binding Agent for Stabilized Decomposed Granite, page 50, **DELETE** in its entirety.
3. To Section 301-1.2.1, Decomposed Granite Preparation and Compaction, page 63, **DELETE** in its entirety.
4. To Section 301-7, STABILIZED DECOMPOSED GRANITE INSTALLATION, page 64, **DELETE** in its entirety.
5. To Section 301-7.1, Measurement and Payment, page 64, **DELETE** in its entirety.
6. To Section 800-5.1, Site Furnishings, item 2, sub-section "o", Storage Containers, page 77, **DELETE** in its entirety.

C. PLANS

1. To the Drawing Sheets below, **DELETE** in their entirety and **REPLACE** with pages 5 through 29 of this Addendum C.
40295 - 01 - D to 40295 - 03 - D
40295 - 06 - D
40295 - 08 - D
40295 - 11 - D
40295 - 14 - D
40295 - 15 - D
40295 - 17 - D

40295 - 18 - D
40295 - 20 - D
40295 - 22 - D to 40295 - 25 - D
40295 - 33 - D
40295 - 41 - D
40295 - 50 - D
40295 - 54 - D
40295 - 56 - D
40295 - 57 - D
40295 - 62 - D
40295 - 65 - D
40295 - 68 - D
40295 - 69 - D

James Nagelvoort, Director
Public Works Department

Dated: *August 19, 2019*
San Diego, California

JN/RWB/cc

NORTH PARK MINI PARK

CONSTRUCTION STORM WATER PROTECTION NOTES

- TOTAL SITE DISTURBANCE AREA (ACRES) 0.5 ACRES
HYDROLOGIC UNIT/ WATERSHED PUEBLO SAN DIEGO/ SAN DIEGO BAY
HYDROLOGIC SUBAREA NAME & NO. CHOLLAS 908.22
- THE CONTRACTOR SHALL COMPLY WITH THE REQUIREMENTS OF THE
X WPCP

THE PROJECT IS SUBJECT TO MUNICIPAL STORM WATER PERMIT NO. R9-2013-0001 AS AMENDED BY R9-2015-0001 AND R9-2015-0100
- THE PROJECT IS SUBJECT TO MUNICIPAL STORM WATER PERMIT NO. R9-2013-0001 AS AMENDED BY R9-2015-0001 AND R9-2015-0100 AND CONSTRUCTION GENERAL PERMIT ORDER 2009-0009-DWQ AS AMENDED BY ORDER 2010-0014-DWQ AND 2012-0006-DWQ
TRADITIONAL: RISK LEVEL 1 2 3
LUP: RISK TYPE 1 2 3
- CONSTRUCTION SITE PRIORITY

ASBS HIGH MEDIUM LOW

□ □ □ X

UNDERGROUND UTILITIES

AT LEAST THREE (3) WORKING DAYS PRIOR TO EXCAVATION, THE CONTRACTOR SHALL REQUEST A MARK OUT OF UNDERGROUND UTILITIES BY CALLING THE BELOW LISTED REGIONAL NOTIFICATION CENTER FOR AN INQUIRY IDENTIFICATION NUMBER:
UNDERGROUND SERVICE ALERT (U.S.A.) 811 / 1-800-422-4133

CONTRACTOR'S RESPONSIBILITIES

- CONTRACTOR SHALL ASSUME SOLE AND COMPLETE RESPONSIBILITY FOR JOB SITE CONDITIONS DURING THE COURSE OF CONSTRUCTION OF THIS PROJECT INCLUDING: SAFETY OF ALL PERSONS AND PROPERTY, AND THAT THIS REQUIREMENT SHALL APPLY CONTINUOUSLY AND NOT BE LIMITED TO NORMAL WORKING HOURS.
- CONTRACTOR SHALL INSTALL TEMPORARY FENCING AROUND AREAS OF DISTURBANCE DURING CONSTRUCTION. INSTALLATION OF TEMPORARY FENCING SHALL NOT DETER OR HINDER ACCESS TO EXISTING AND NEW FIRE HYDRANTS. FENCING SHALL BE MAINTAINED IN A GOOD CONDITION AND IF DAMAGED, THE CONTRACTOR SHALL REPAIR IMMEDIATELY. CONTRACTOR SHALL REMOVE FENCING UPON THE COMPLETION OF THE WORK AND REPAIR DAMAGE CAUSED BY THE INSTALLATION OF TEMPORARY FENCING.
- PURSUANT TO SECTION 4216 OF THE CALIFORNIA GOVERNMENT CODE, AT LEAST THREE (3) WORKING DAYS PRIOR TO EXCAVATION, YOU MUST CONTACT THE REGIONAL NOTIFICATION CENTER (E.G., UNDERGROUND SERVICE ALERT OF SOUTHERN CALIFORNIA) AND OBTAIN AN INQUIRY IDENTIFICATION NUMBER.
- NOTIFY SDG&E AT LEAST 10 WORKING DAYS PRIOR TO EXCAVATING WITHIN 10' OF SDG&E UNDERGROUND HIGH VOLTAGE TRANSMISSION POWER LINES. (I.E., 69 KV & HIGHER)

WATER POLLUTION CONTROL NOTES:

THE CONTRACTOR SHALL COMPLY WITH THE REQUIREMENTS NOTED IN THE "GREENBOOK" (LATEST EDITION) CITY SUPPLEMENT SEC 1001 - WATER POLLUTION CONTROL.

WATER FEES:

THE CITY OF SAN DIEGO PROJECT MANAGER AND THE CONSULTANT SHALL COORDINATE THE FOLLOWING: WATER AND SEWER CAPACITY FEES AND THE WET TAP FEES SHALL BE PRE-PAID BY THE CITY FOR CITY CONTRACTS; THE CONTRACTOR SHALL PAY ALL OTHER CONSTRUCTION AND MAINTENANCE WATER METER AND SEWER FEES, AND SHALL COORDINATE WITH THE WATER UTILITIES DEPARTMENT FOR INSTALLATION OF SERVICES. ALLOW THREE (3) MONTHS NOTICE TO THE WATER UTILITIES DEPARTMENT. FOR DEVELOPER-BUILD PROJECTS, ALL FEES SHALL BE PAID BY THE DEVELOPER.

NOTICE TO THE APPLICANT / OWNER / OWNER'S AGENT / ARCHITECT OR ENGINEER OF RECORD:

BY USING THIS PERMITTED CONSTRUCTION DRAWINGS FOR CONSTRUCTION / INSTALLATION OF THE WORK SPECIFIED HEREIN, YOU AGREE TO COMPLY WITH THE REQUIREMENTS OF THE CITY OF SAN DIEGO FOR SPECIAL INSPECTIONS, STRUCTURAL OBSERVATIONS, CONSTRUCTION MATERIAL TESTING AND OFF-SITE FABRICATION OF BUILDING COMPONENTS, CONTAINED IN THE STATEMENT OF SPECIAL INSPECTIONS AND AS REQUIRED BY THE CALIFORNIA CONSTRUCTION CODES.

GEOTECHNICAL STATEMENT:

THESE PLANS HAVE BEEN REVIEWED BY THE UNDERSIGNED AND THE GEOTECHNICAL ASPECTS OF THE PLANS HAVE BEEN FOUND TO BE IN CONFORMANCE WITH THE INTENTIONS OF THE FINDINGS AND RECOMMENDATIONS CONTAINED IN THE GEOTECHNICAL INVESTIGATION FOR NORTH PARK MINI PARK, SAN DIEGO, CA, PREPARED BY NOVA SERVICES, INC., NOVA PROJECT - 2017771, DATE PREPARED ON MARCH 22, 2018

John F. O'Brien
JOHN O'BRIEN, PROJECT MANAGER

NOTICE TO THE CONTRACTOR / BUILDER / INSTALLER / SUB-CONTRACTOR / OWNER-BUILDER:

BY USING THIS PERMITTED CONSTRUCTION DRAWINGS FOR CONSTRUCTION / INSTALLATION OF THE WORK SPECIFIED HEREIN, YOU ACKNOWLEDGE AND ARE AWARE OF, THE REQUIREMENTS CONTAINED IN THE STATEMENT OF SPECIAL INSPECTIONS. YOU AGREE TO COMPLY WITH THE REQUIREMENTS OF CITY OF SAN DIEGO FOR SPECIAL INSPECTIONS, STRUCTURAL OBSERVATIONS, CONSTRUCTION MATERIAL TESTING AND OFF-SITE FABRICATION OF BUILDING COMPONENTS, CONTAINED IN THE STATEMENT OF SPECIAL INSPECTIONS AND, AS REQUIRED BY THE CALIFORNIA CONSTRUCTION CODES.

SHEET INDEX

SHEET NO.	DISCIPLINE CODE	TITLE
1.	TS-01	TITLE SHEET
2.	LD-01	DEMOLITION PLAN
3.	C-01	GRADING PLAN
4.	C-02	DETAIL SHEET
5.	C-03	LIFT STATION DETAIL
6.	C-04	BMP PLAN - COVER SHEET
7.	C-05	BMP PLAN - COVER SHEET
8.	C-06	BMP PLAN
9.	C-07	CONCEPTUAL WATER POLLUTION CONTROL PLAN
10.	C-08	GRANADA AVENUE IMPROVEMENT PLAN
11.	C-09	NORTH PARK WAY IMPROVEMENT PLAN
12.	C-10	29TH AVENUE IMPROVEMENT PLAN
13.	C-11	SIGNING AND STRIPING PLAN
14.	L-01	CONSTRUCTION PLAN
15.	L-02	FURNITURE PLAN
16.	L-03	CONSTRUCTION NOTES
17.	L-04	CONSTRUCTION LEGEND
18.	L-05	CONSTRUCTION LEGEND
19.	L-06	CONSTRUCTION LEGEND
20.	L-07	CONSTRUCTION DETAILS
21.	L-08	CONSTRUCTION DETAILS
22.	L-09	CONSTRUCTION DETAILS
23.	L-10	CONSTRUCTION DETAILS
24.	L-11	CONSTRUCTION DETAILS
25.	L-12	CONSTRUCTION DETAILS
26.	L-13	CONSTRUCTION DETAILS
27.	L-14	CONSTRUCTION DETAILS
28.	L-15	CONSTRUCTION DETAILS
29.	L-16	CONSTRUCTION DETAILS
30.	L-17	CONSTRUCTION DETAILS
31.	L-18	CONSTRUCTION DETAILS
32.	L-19	CONSTRUCTION DETAILS
33.	L-20	CONSTRUCTION DETAILS
34.	A-01	PERGOLA 1 PLAN
35.	A-02	PERGOLA 1 SECTIONS + DETAILS
36.	A-03	PERGOLA 2 PLAN
37.	A-04	PERGOLA 2 SECTIONS + DETAILS
38.	A-05	PERGOLA 3 PLAN
39.	A-06	PERGOLA 3 SECTION + DETAILS
40.	S-1.1	GENERAL NOTES
41.	S-1.2	GENERAL NOTES
42.	S-1.3	TYPICAL DETAILS
43.	S-2.1	PLANS
44.	S-2.2	PLANS
45.	S-2.3	PLANS
46.	S-3.1	FOUNDATION DETAILS
47.	S-3.2	FOUNDATION DETAILS
48.	S-3.3	FRAMING DETAILS
49.	S-3.4	FRAMING DETAILS
50.	S-3.5	TRASH ENCLOSURE
51.	S-3.6	TRASH ENCLOSURE
52.	S-3.7	LIGHT POLE FOOTING
53.	E-01	ELECTRICAL LEGEND, NOTES AND DETAILS
54.	E-02	SINGLE LINE DIAGRAM, PANEL & LIGHT FIXTURE SCHEDULES
55.	E-03	ELECTRICAL SPECIFICATIONS
56.	E-04	ELECTRICAL SITE PLAN
57.	E-05	PHOTOMETRIC CALCULATIONS
58.	E-06	TITLE 24 FORMS
59.	E-07	TITLE 24 FORMS
60.	E-08	TITLE 24 FORMS
61.	E-09	TITLE 24 FORMS
62.	LI-01	IRRIGATION PLAN
63.	LI-02	IRRIGATION LEGEND
64.	LI-03	GENERAL IRRIGATION NOTES, WATER USE AND HYDRAULIC CALCULATIONS
65.	LI-04	IRRIGATION DETAILS
66.	LI-05	IRRIGATION DETAILS
67.	LI-06	IRRIGATION DETAILS
68.	LS-01	LANDSCAPE SOIL PLAN
69.	LP-01	PLANTING PLAN
70.	LP-02	PLANTING LEGEND
71.	LP-03	PLANTING NOTES
72.	LP-04	PLANTING DETAILS

BUILDING PERMIT:

THE CONTRACTOR SHALL BE RESPONSIBLE FOR OBTAINING ANY STRUCTURAL PERMITS NECESSARY FOR STRUCTURAL WORK, ELECTRICAL WORK, AND MONUMENT SIGN. REFER TO SPECIAL INSPECTION TABLE FOR ADDITIONAL INFORMATION PERTAINING TO SPECIAL TESTING OR INSPECTIONS NECESSARY.

FAA CERTIFICATION:

I DO HEREBY CERTIFY THAT THE STRUCTURE(S) OR MODIFICATIONS TO EXISTING STRUCTURE(S) SHOWN ON THESE PLANS DO NOT REQUIRE FEDERAL AVIATION ADMINISTRATION NOTIFICATION BECAUSE PER SECTION 77.15 (A) OF TITLE 14 OF THE CODE OF FEDERAL REGULATIONS CFR PART 77, NOTIFICATION IS NOT REQUIRED.

Kurt Carlson
KURT CARLSON

A PRE-CONSTRUCTION INSPECTION IS REQUIRED DUE TO THE HEIGHT OF THE PROPOSED STRUCTURE IN RELATION TO THE FAA PART 77 NOTIFICATION SURFACE REQUIREMENTS. THE PRE-CONSTRUCTION INSPECTION MUST BE SCHEDULED AND CLEARED BY THE FIELD INSPECTOR BEFORE ANY SUBSEQUENT INSPECTIONS CAN BE SCHEDULED. CALL (858) 581-7111 TO SCHEDULE THE PRE-CONSTRUCTION INSPECTION. CONTACT THE INSPECTION SERVICES OFFICE AT (858) 492-5070, IF YOU HAVE ANY QUESTIONS PERTAINING TO THE PRE-CONSTRUCTION INSPECTION.

PROJECT DIRECTORY

CITY OF SAN DIEGO
PUBLIC WORKS DEPARTMENT,
PARKS AND RECREATION
525 "B" STREET, 750 MS908A
SAN DIEGO, CA 92101
P: (619) 533-5414
PROJECT MANAGER:
YOVANNA LEWIS
YLEWIS@SANDIEGO.GOV

PRIME CONSULTANT:

KTUA+
3916 NORMAL STREET,
SAN DIEGO, CA 92103
P: (619) 294-4477
F: (619) 294-9965
CONTACT:
CHRIS LANGDON, LANDSCAPE ARCHITECT
CHRIS@KTUA.COM, EXT. 115
KURT CARLSON, PRINCIPAL
KURT@KTUA.COM, EXT. 105

CIVIL ENGINEER:

NASLAND
4740 RUFFNER ST.
SAN DIEGO, CA 92111
P: (858) 292-7770
CONTACT: PETE RITCHEY, PE
PETE@NASLAND.COM

ARCHITECT:

PLATT/WHITELAW ARCHITECTS, INC
4034 30TH STREET
SAN DIEGO, CA 92104
P: (619) 546-4326
CONTACT: SANDRA GRAMLEY, AIA
SGRAMLEY@PLATTWHITELAW.COM

ELECTRICAL ENGINEER:

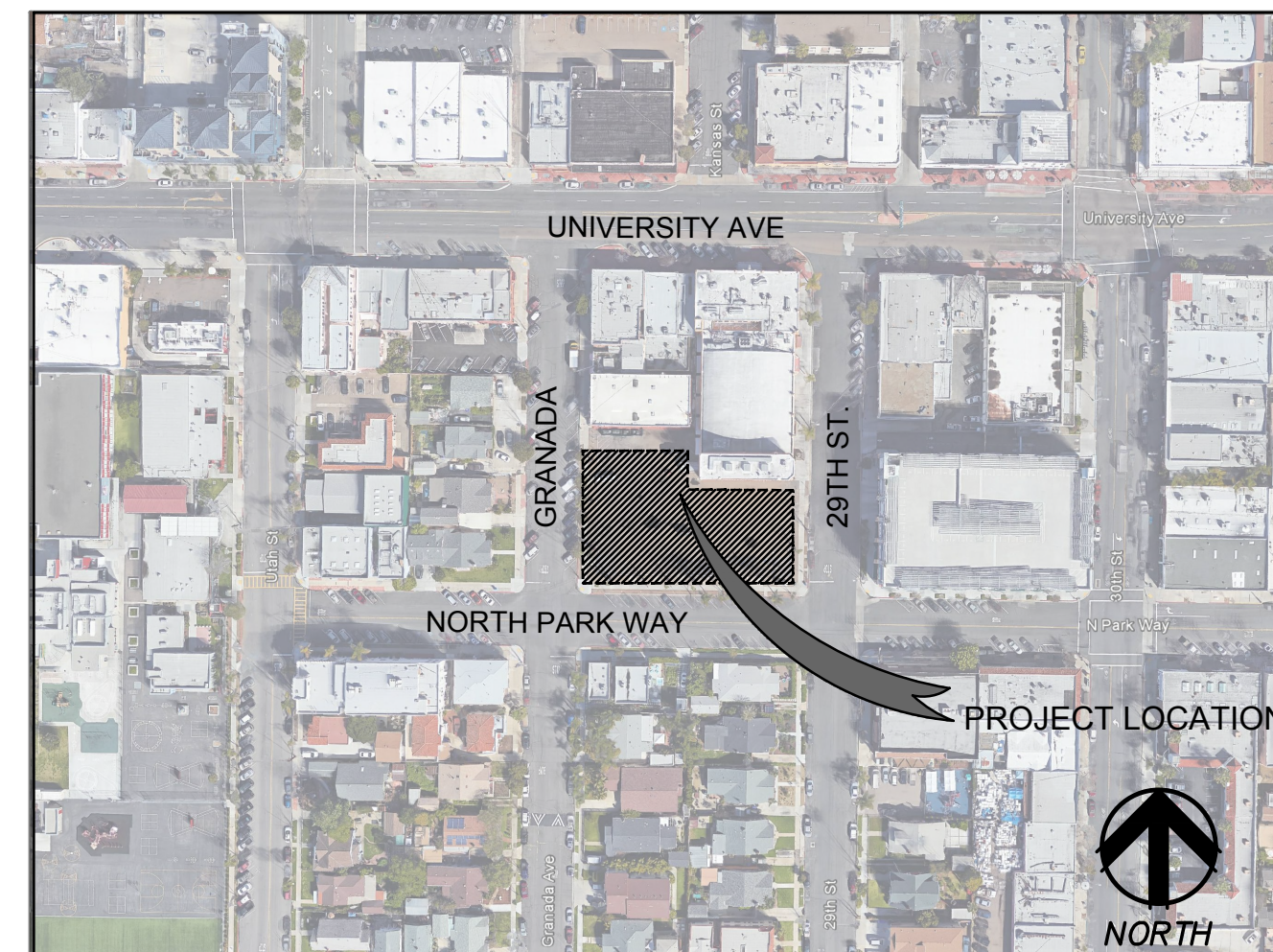
ELECTRICAL DESIGN, INC.
9565 WAPLES ST., SUITE 205
SAN DIEGO, CA 92121
P: (858) 569-8747
CONTACT: EDDIE DAVID, PRESIDENT
EDAVID@EDI-ENGINEERS.COM

GEOTECHNICAL ENGINEER:

NOVA
4373 VIEWRIDGE AVENUE, SUITE B
SAN DIEGO, CA 92123
P: (858) 292-7575
CONTACT: WAIL MOKHTAR, PE
WMOKHTAR@USA-NOVA.COM

STRUCTURAL ENGINEER:

ORION STRUCTURAL ENGINEERING, INC.
11305 RANCHO BERNARDO ROAD, SUITE 121
SAN DIEGO, CA 92127
P: (858) 679-1974
CONTACT: RYAN OMER
RYAN@ORIONSE.COM



VICINITY MAP

NO SCALE

SITE ADDRESS

3812 29th STREET
SAN DIEGO, CA 92104

TOPOGRAPHY SOURCE

NASLAND ENGINEERING FIELD SURVEY
JUNE 15, 2017

PROJECT DATA

CONDITION OF SOIL: COMPACT
LANDSCAPE AREA SQUARE FOOTAGE:
4,045 SF
TOTAL AREA OF DISTURBANCE: .5 ACRES

LEGAL DESCRIPTION:

LOTS 5 THROUGH 9 INCLUSIVE, BLOCK 3, WEST END MAP NO. 590

DECLARATION OF RESPONSIBLE CHARGE

I HEREBY DECLARE THAT I AM THE LANDSCAPE ARCHITECT OF WORK FOR THIS PROJECT THAT I HAVE EXERCISED RESPONSIBLE CHARGE OVER THE DESIGN OF THE PROJECT AS DEFINED IN SECTION 6703 OF THE BUSINESS AND PROFESSIONS CODE AND THAT THE DESIGN IS CONSISTENT WITH CURRENT STANDARDS. I UNDERSTAND THAT THE CHECK OF PROJECT DRAWINGS AND SPECIFICATIONS BY THE CITY OF SAN DIEGO IS CONFINED TO A REVIEW ONLY AND DOES NOT RELIEVE ME, AS LANDSCAPE ARCHITECT OF WORK, OF MY RESPONSIBILITIES FOR PROJECT DESIGN.

Kurt Carlson
KURT CARLSON (RLA #2342)

03/29/2019
DATE

MONUMENTATION / SURVEY NOTES:

THE CONTRACTOR SHALL BE RESPONSIBLE FOR SURVEY MONUMENTS AND / OR VERTICAL CONTROL BENCHMARKS WHICH ARE DISTURBED OR DESTROYED BY CONSTRUCTION. A LICENSED LAND SURVEYOR OR LICENSED CIVIL ENGINEER AUTHORIZED TO PRACTICE LAND SURVEYING IN THE STATE OF CALIFORNIA SHALL LOCATE, REFERENCE, AND / OR PRESERVE ALL HISTORICAL OR CONTROLLING MONUMENTS PRIOR TO ANY EARTHWORK, DEMOLITION, OR SURFACE IMPROVEMENTS. IF DESTROYED, A LICENSED LAND SURVEYOR SHALL REPLACE SUCH MONUMENT(S) WITH APPROPRIATE MONUMENTS. WHEN SETTING SURVEY MONUMENTS USED FOR RE-ESTABLISHMENT OF THE DISTURBED CONTROLLING SURVEY MONUMENTS AS REQUIRED BY SECTIONS 6730.2 AND 8771 OF THE BUSINESS AND PROFESSIONS CODE OF THE STATE OF CALIFORNIA, A CORNER RECORD OR RECORD OF SURVEY, AS APPROPRIATE, SHALL BE FILLED WITH THE COUNTY SURVEYOR. IF ANY VERTICAL CONTROL IS TO BE DISTURBED OR DESTROYED, THE CITY OF SAN DIEGO FIELD SURVEY SECTION SHALL BE NOTIFIED IN WRITING AT LEAST 7 DAYS PRIOR TO CONSTRUCTION. THE CONTRACTOR SHALL BE RESPONSIBLE FOR THE COST OF REPLACING ANY VERTICAL CONTROL BENCHMARKS DESTROYED BY CONSTRUCTION.

WORK TO BE DONE

THE PROJECT INCLUDES THE DEMOLITION AND REMOVAL OF AN EXISTING PARKING LOT AND SURROUNDING SIDEWALK AREAS TO CREATE A NEW PARK FOR THE NORTH PARK COMMUNITY. IMPROVEMENTS INCLUDE NEW PEDESTRIAN ACCESS FROM THE PUBLIC RIGHT OF WAY, NEW PUBLIC PARK / PLAZA WITH VARIOUS ENHANCED PAVING AREAS, AN ENHANCED STAGE, ENTRY MONUMENT WALL, MUSICAL PLAY AREAS, WAYFIND GATEWAY PYLONS, PERGOLAS, ENHANCED FURNISHINGS INCLUDING: GAME/TABLES, CHAIRS, BENCHES, TRASH/RECYCLING RECEPTACLES, ENHANCED LIGHTING, BIKE RACKS, DRINKING FOUNTAIN, TREE GRATES/POTS, BIO-RETENTION AREA, DRY STREAM BED, LANDSCAPE PLANTING AND IRRIGATION AND MANY ADDITIONAL ITEMS AS SHOWN WITHIN SUPPORTING CONSTRUCTION BID DOCUMENTS.

EXISTING STRUCTURES

EX. WATER MAIN	— W — W —
EX. SEWER	— SS — SS —
EX. IRRIGATION WATER LINE	— RR —
EX. ELECTRICAL LINE	— — — — —
EX. FENCE	— X — X — X —
EX. PCC SWALE	=====

ABBREVIATIONS

CTB	CEMENT TREATED BASE
EL, ELEV	ELEVATION
E, ELEC	ELECTRIC
EX, EXIST	EXISTING
FH	FIRE HYDRANT
FL	FLOW LINE
FS	FINISHED SURFACE
GV	GATE VALVE
IE	INVERT ELEVATION
PVC	POLYVINYL CHLORIDE
SG	SUBGRADE
SWR, SS	SEWER
SDPWC	STANDARD DRAWINGS FOR PUBLIC WORKS
TC	CITY OF SAN DIEGO
TG	TOP OF CURB
TW	TOP OF GRATE
WM	TOP OF WALL
WTR	WATER METER WATER

DISCIPLINE CODE

A	ARCHITECTURAL
D	DEMOLITION
C	CIVIL
L	LANDSCAPE
E	ELECTRICAL

CONSTRUCTION INSPECTION STAGES

INSPECTION SCHEDULE SHALL INCLUDE, BUT NOT BE LIMITED TO:

- PRE-CONSTRUCTION MEETING
- DEMOLITION WORK
- ROUGH GRADING AND DRAINAGE
- IRRIGATION MAINLINE PRESSURE TEST
- IRRIGATION LATERAL LINE PRESSURE TEST
- WIRING PRIOR TO BACKFILLING TRENCHES
- HARDSCAPE AT TIME OF FINISHED STAKING AND LAYOUT
- CONSTRUCTION LAYOUT AND SITE FURNISHING INSTALLATION / REVIEW
- EXERCISE EQUIPMENT ROUGH LAYOUT REVIEW
- RESILIENT SURFACING MARK OUT / REVIEW
- FINISH GRADING AND SOIL PREPARATION
- IRRIGATION COVERAGE TEST
- PLANT MATERIAL (WHEN DELIVERED) AND PLACEMENT APPROVAL
- PLAY GROUND INSPECTION
- PROJECT CONSTRUCTION 90 PERCENT COMPLETE (DEVELOP PUNCH LIST AND SUBMIT RED-LINE AS-BUILTS)
- PLANT MAINTENANCE PERIOD PER SPECIFICATIONS (THIS INSPECTION IS TO BE HELD WHEN THE PUNCH LIST ITEMS ARE COMPLETE)
- FINAL WALK-THROUGH, ACCEPTANCE BY THE CITY. CONTRACTOR TO SUBMIT FINAL APPROVED AS-BUILT DRAWINGS TO THE CITY.

INSPECTION TEAM:

- SITE SUPERINTENDENT (CONTRACTOR)
- CONTRACTOR(S)
- RESIDENT ENGINEER FROM FIELD ENGINEERING DEPARTMENT
- CITY PROJECT MANAGER
- DESIGN CONSULTANT
- PARK AND RECREATION DISTRICT MANAGER
- PARK AND RECREATION ASSET MANAGER
- ACCESS COMPLIANCE OFFICER
- THIRD-PARTY CERTIFIED INSPECTOR(S)



TS-01



PLANS FOR THE CONSTRUCTION OF:		WBS TYPE	
NORTH PARK MINI PARK		S-10050	
TITLE SHEET			
CITY OF SAN DIEGO, CALIFORNIA PUBLIC WORKS DEPARTMENT SHEET 01 OF 12 SHEETS		DATE: 07-15-2019	
APPROVED: <i>Julie Ballesteros</i> FOR CITY ENGINEER JULIE BALLESTEROS DATE: 4/8/19		PROJECT MANAGER YOVANNA LEWIS	
DESCRIPTION		BY	APPROVED
ADDENDUM	KTUA	<i>Julie Ballesteros</i>	2012/2015
CONTROL CERTIFICATION		210N, 1725E LAMBERT COORDINATES	
CONTRACTOR		DATE STARTED	
INSPECTOR		DATE COMPLETED	
		40295-01-D	

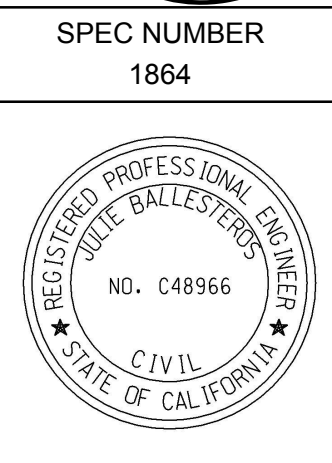
CONSTRUCTION CHANGE / ADDENDUM			
CHANGE	DATE	AFFECTED OR ADDED SHEET NUMBERS	APPROVAL NO.
△	08/09/19	01, 02, 03, 06, 08, 11, 14, 15, 17, 18, 20, 22, 23, 24, 25, 33, 41, 50, 54, 56, 57, 62, 65, 68, 69	



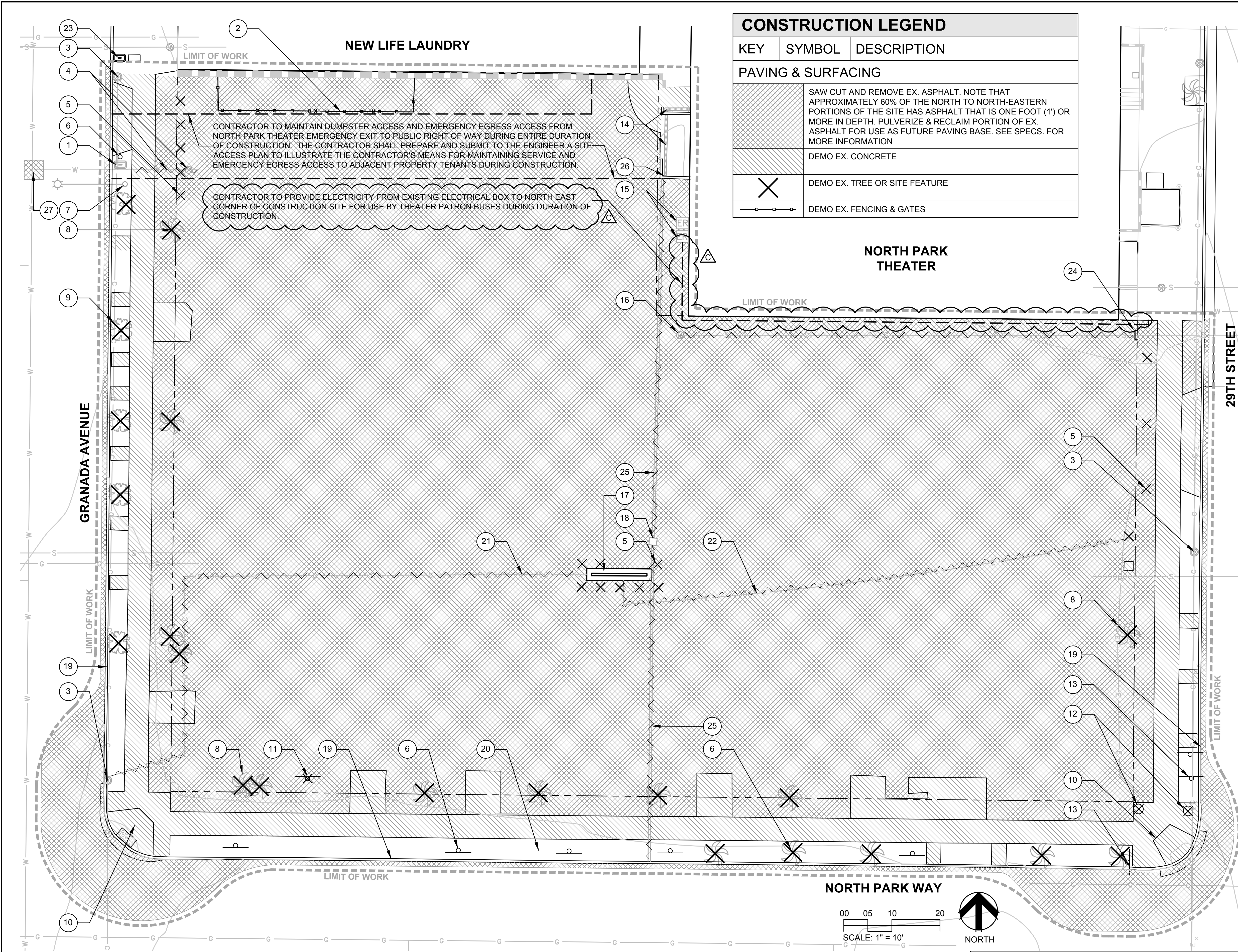
CONSULTANT

ktua

3916 Normal Street
San Diego, CA 92103
619.294.4477
www.ktua.com



CHANGES TO NOTES. ADDITION OF FAA NOTES.



CONSTRUCTION LEGEND		
KEY	SYMBOL	DESCRIPTION
PAVING & SURFACING		
		SAW CUT AND REMOVE EX. ASPHALT. NOTE THAT APPROXIMATELY 60% OF THE NORTH TO NORTH-EASTERN PORTIONS OF THE SITE HAS ASPHALT THAT IS ONE FOOT (1') OR MORE IN DEPTH. PULVERIZE & RECLAIM PORTION OF EX. ASPHALT FOR USE AS FUTURE PAVING BASE. SEE SPECS. FOR MORE INFORMATION
		DEMO EX. CONCRETE
	X	DEMO EX. TREE OR SITE FEATURE
	—○—	DEMO EX. FENCING & GATES

DEMOLITION NOTES	
KEY	DESCRIPTION
1	CITY CREWS TO REMOVE EX. WATER METER AND REINSTALL AT NEW METER BOX
2	EX. FENCING, GATES, AND ASSOCIATED FOOTINGS. DEMO & REMOVE FROM SITE
3	EX. POWER POLES. PRESERVE IN PLACE
4	REMOVE AND DISPOSE OF THE EX. PRIVATE WATER PIPE, VALVES AND APPURTENANCES FROM THE BACK OF METER
5	EX. METAL BOLLARDS AND ASSOCIATED FOOTINGS (17 TOTAL). DEMO & REMOVE FROM SITE
6	EX. PARKING SIGNS (9 TOTAL). RELOCATE PER L PLANS. PROVIDE POSTS FOR 3 SIGNS ATTACHED TO EX. PALM TREES
7	EX. LIGHT STANDARD. PROTECT IN PLACE
8	EX. PALM TREES (12-18" Ø). 5 QUEEN PALMS, 10 MEXICAN FAN PALMS, & 1 CANARY ISLAND PALM (16 TOTAL). DEMO & REMOVE FROM SITE
9	EX. STREET TREES (6-8" Ø). 5 AFRICAN SUMAC. DEMO & REMOVE FROM SITE
10	EX. ADA RAMPS (2 TOTAL). DEMO & REMOVE FROM SITE
11	EX. PARKING SIGN AND ASSOCIATED FOOTING (1 TOTAL). DEMO & REMOVE FROM SITE
12	EX. LITTER RECEPTACLES (2 TOTAL). DEMO & REMOVE FROM SITE
13	EX. TRAFFIC SIGNS (2 TOTAL). RELOCATE PER L PLANS
14	EX. TRENCH DRAINS. PROTECT IN PLACE
15	EX. ELECTRICAL BOX. PROTECT IN PLACE
16	REMOVE EX. PRIVATE SEWER CLEAN-OUT
17	EX. STRUCTURE. DISCONNECT AND REMOVE ELECTRICAL PULL SECTION, METER, FUSED SWITCH, WIRE GUTTER AND ALL ELECTRICAL EQUIPMENT/DEVICES AND REMOVE FROM SITE.
18	REMOVE EX. CATCH BASIN
19	EX. CURB AND GUTTER TO BE REMOVED
20	EXCAVATE SOIL. DEPTH PER GEOTECHNICAL REPORT.
21	REMOVE EX. COMMUNICATIONS LINE
22	REMOVE EX. ELECTRICAL LINE
23	EX. WATER VAULT. PROTECT IN PLACE
24	CUT AND CAP SEWER LINE AT RIGHT-OF-WAY. REMOVE EXISTING PRIVATE SEWER LINE
25	REMOVE EX. STORM DRAIN LINE
26	P.O.C. FOR NEW DRAINAGE PER GRADING PLAN, SHEET C-01
27	1" KILL SERVICE (BY CITY CREWS) CONTRACTOR SHALL EXCAVATE AND EXPOSE THE EXISTING WATER MAIN AT THE SERVICE SADDLE ON THE MAIN. CITY CREWS TO PERFORM DECOMMISSIONING THE WATER SERVICE

SHEET NOTES	
1.	SEE SHEETS C-01 THROUGH C-11 FOR CIVIL DRAWINGS
2.	SEE SHEETS L-03 THROUGH L-20 FOR CONSTRUCTION NOTES, LEGENDS, SCHEDULES, & DETAILS
3.	SEE SHEETS A-01 THROUGH A-06 FOR PERGOLA PLANS & DETAILS
4.	SEE SHEETS S-01 THROUGH S-03 FOR STRUCTURAL DETAILS
5.	SEE SHEETS E-01 THROUGH E-09 FOR ELECTRICAL DRAWINGS
6.	SEE SHEETS LI-01 THROUGH LI-06 FOR IRRIGATION DRAWINGS, DETAILS, LEGEND & NOTES
7.	SEE SHEETS LP-01 THROUGH LP-04 FOR PLANTING DRAWINGS, DETAILS, LEGEND & NOTES
8.	SEE SPECIFICATIONS FOR MORE INFORMATION

LD-01



PLANS FOR THE CONSTRUCTION OF:		NORTH PARK MINI PARK DEMOLITION PLAN	
CITY OF SAN DIEGO, CALIFORNIA PUBLIC WORKS DEPARTMENT SHEET 02 OF 12 SHEETS		WBS S-10050 TYPE	
APPROVED FOR CITY ENGINEER JULIE BALLESTEROS PRINT NAME	DATE 4/9/2019 RJS	07-15-2019 DATE 4/9/2019	SIGNED BY YOVANNA LEWIS PROJECT MANAGER
DESCRIPTION ADDENDUM	BY KTUA	APPROVED DATE 08/12/2019	PROJECT ENGINEER
CONTRACTOR			CONTROL CERTIFICATION 210N, 1725E LAMBERT COORDINATES
INSPECTOR			40295-02-D

CONSTRUCTION CHANGE / ADDENDUM			
CHANGE	DATE	AFFECTED OR ADDED SHEET NUMBERS	APPROVAL NO.



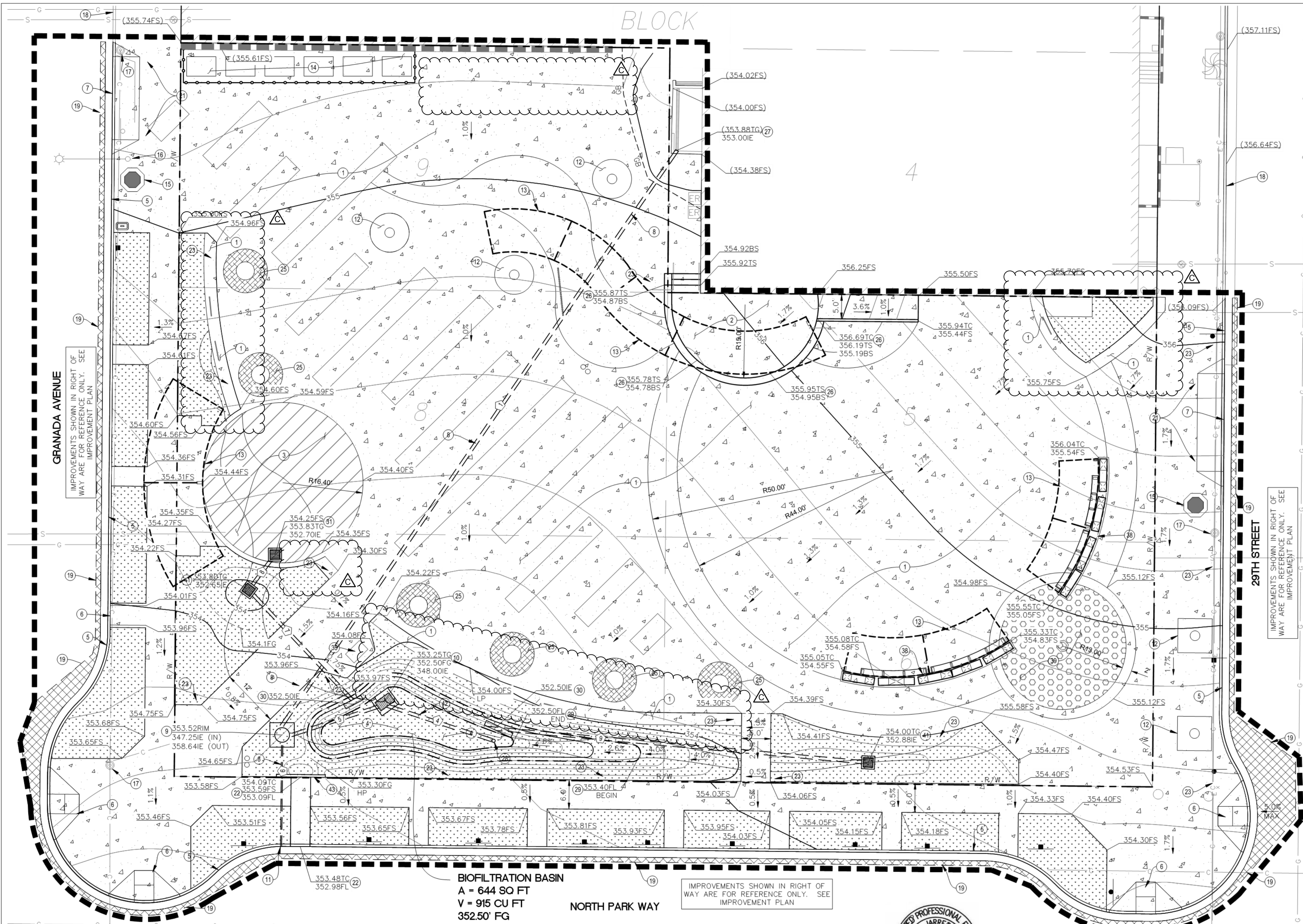
CONSULTANT

3916 Normal Street
San Diego, CA 92103
619.294.4477
www.ktua.com



CHANGES TO NOTES REGARDING SITE ACCESS.

NORTH PARK MINI PARK



CONSTRUCTION NOTES

- 1 DECORATIVE CONCRETE PAVING, COLORING, SCORING, AND FINISHING PER DETAILS ON SHEET L-07.
- 2 RAISED CONCRETE STAGE, RAMP AND STEPS PER DETAIL ON SHEET L-12.
- 3 RESILIENT SURFACING PER DETAIL 2 ON SHEET L-13.
- 4 INSTALL BIOFILTRATION BASIN PER DETAIL 2 ON SHEET C-02.
- 5 REMOVE EXISTING CURB AND INSTALL 6" CONCRETE CURB AND GUTTER TYPE 'G' PER SDRSD SDG-151.
- 6 INSTALL TYPE 'A' CONCRETE CURB RAMP PER SDG-133
- 7 INSTALL CONCRETE DRIVEWAY PER SDG-159. WIDTH PER PLANS.
- 8 INSTALL PVC STORM DRAIN PIPE. SEE DATA TABLE FOR DETAILS.
- 9 INSTALL TYPE 'A-4' CLEANOUT PER SDRSD D-09 WITH LIFT TABLE INSIDE. SEE DETAIL 1 ON SHEET C-03
- 10 INSTALL TYPE 'I' CATCH BASIN PER SDRSD D-29 AND SDSW-103. INSTALL HYDROMODIFICATION ORIFICE PER DETAIL F ON SHEET C-02.
- 11 INSTALL 3" SIDEWALK UNDERDRAIN PER SDRSD D-27.
- 12 INSTALL METAL TREE GRATE PER FOR DETAIL 4 OR 5 ON SHEET L-09.
- 13 INSTALL PERGOLA STRUCTURE PER ARCHITECT PLANS.
- 14 INSTALL COVERED TRASH ENCLOSURE PER DETAIL 1 ON SHEET L-11.
- 15 INSTALL WAY FINDING MONUMENT PER DETAIL 1 ON SHEET L-18.
- 16 EXISTING STREET LIGHT TO BE PROTECTED IN PLACE.
- 17 EXISTING POWER POLE TO BE PROTECTED IN PLACE.
- 18 PROTECT EXISTING CURB AND GUTTER IN PLACE.
- 19 SAWCUT, REMOVE, AND REPLACE EXISTING STREET SECTION PER SCHEDULE 'J' PAVING PER SDRSD SDG-113. SEE DETAIL 9 ON SHEET C-02
- 21 INSTALL REMOVABLE VEHICLE BOLLARDS AT 48" ON CENTER PER DETAIL 6 ON SHEET L-09.
- 22 INSTALL TYPE A CURB OUTLET PER SDRSD D-25.
- 23 INSTALL NEW LIGHT. SEE LANDSCAPE PLANS FOR DETAILS.
- 25 INSTALL PERVIOUS CONCRETE SECTION UNDER CONCRETE TREE RINGS. SEE DETAIL 4 ON SHEET L-07.
- 26 INSTALL 15" WIDE CONCRETE STAGE STEPS PER DETAIL 1 ON SHEET L-12.
- 27 EXISTING TRENCH DRAIN TO REMAIN. CONNECT TO OUTLET WITH 8" PVC.
- 28 INSTALL 8" STORM DRAIN CLEANOUT PER SDSW-101.
- 29 GRADED SWALE. SEE DETAIL 2 ON SHEET C-02 FOR SECTION. SEE DETAIL 3 ON SHEET L-08 FOR SURFACE LANDSCAPING
- 30 INSTALL CONCRETE HEADWALL PER SDRSD D-32
- 31 24" X 24" SUBGRADE PRECAST INLET INSTALLED BELOW RESILIENT SURFACING PER DETAIL 4 ON SHEET C-02.
- 33 INSTALL DRINKING FOUNTAIN PER DETAIL 1 ON SHEET L-10.
- 38 CONSTRUCT MONUMENT WALL PER DETAIL 1 ON SHEET L-15.
- 39 INSTALL CONCRETE PAVERS. SEE DETAIL 1 ON SHEET L-17
- 41 INSTALL 24"x24" PRECAST INLET PER DETAIL 5 ON SHEET C-02.
- 42 INSTALL PERFORATED UNDER DRAIN PER SDSW-102
- 43 6" CONCRETE CURB TO BE POURED MONOLITHICALLY WITH SIDEWALK

ABBREVIATIONS

- | | |
|--|--------------------------|
| BS = BOTTOM OF STAIR | R/W = RIGHT OF WAY |
| SDRSD = SAN DIEGO REGIONAL STANDARD DRAWINGS | RIM = TOP OF LID |
| GB = GRADE BREAK | TC = TOP OF CURB |
| FG = FINISHED GRADE | TG = TOP OF GRATE |
| FS = FINISHED SURFACE | TS = TOP OF STAIRS |
| HP = HIGH POINT | (A) = EXISTING ELEVATION |
| IE = INVERT ELEVATION | |

EARTHWORK DATA

CUT: 400 CY | MAX CUT: 2.66'
 FILL: 20 CY | MAX FILL: 1.00'
 EXPORT: 380 CY

EARTHWORK QUANTITIES REPRESENT THE RAW EARTHWORK REQUIRED TO MEET THE FINISH SURFACE ELEVATIONS FROM THE EXISTING SURFACE ELEVATIONS. THEY DO NOT TAKE INTO ACCOUNT REMOVALS OF EXISTING AND PROPOSED SLABS, FOOTINGS, UTILITIES, VAULTS, SUBGRADE MATERIALS, OR ANY SPECIAL CONDITIONS THAT MAY BE SPECIFIED IN THE SOILS REPORT AND ARE FOR REFERENCE ONLY. THE CONTRACTOR SHALL BE RESPONSIBLE FOR DETERMINING HIS OWN EARTHWORK QUANTITIES FOR BIDDING, CONTRACT, AND CONSTRUCTION PURPOSES.

STORM DRAIN DATA					
ID	BEARING/Delta	LENGTH	RADIUS	SLOPE	NOTE
1	S34°29'25"W	142.63'	--	4.0%	8" PVC PIPE, SDR-35
4	N71°48'24"W	22.78'	--	0.5%	8" PVC PERFORATED PIPE
5	S71°50'24"W	18.53'	--	4.2%	8" PVC PIPE, SDR-35
6	S00°36'32"W	19.71'	--	--	3" PVC PIPE, SCH-40
7	S43°13'22"E	30.47'	--	0.5%	8" PVC PIPE, SDR-35
8	S36°31'31"W	8.09'	--	0.5%	8" PVC PIPE, SDR-35
9	N84°55'13"W	76.37'	--	0.5%	8" PVC PIPE, SDR-35

NOTE:
 PROPOSED CONTOURS SHOWN AT 0.2' INCREMENTS

BIOFILTRATION BASIN
 A = 644 SQ FT
 V = 915 CU FT
 352.50' FG

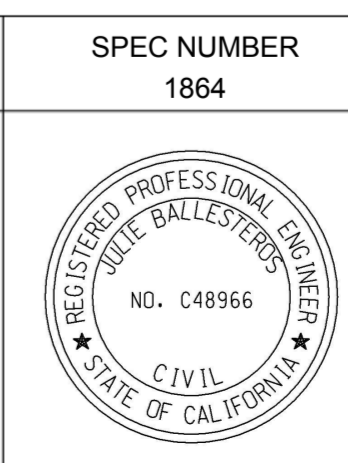
IMPROVEMENTS SHOWN IN RIGHT OF WAY ARE FOR REFERENCE ONLY. SEE IMPROVEMENT PLAN

Nasland Civil Engineering Surveying Land Planning
 T (858) 292-7770
 4740 Ruffner Street San Diego, CA 92111
 nasland.com



The City of **SAN DIEGO** Parks and Recreation

CONSULTANT
ktua
 3916 Normal Street
 San Diego, CA 92103
 619.294.4477
 www.ktua.com



PLANS FOR THE CONSTRUCTION OF:
NORTH PARK MINI PARK
GRADING PLAN

CITY OF SAN DIEGO, CALIFORNIA
 PUBLIC WORKS DEPARTMENT
 SHEET 03 OF 12 SHEETS

APPROVED: *Julie Ballasteros* 07-15-2019
 FOR CITY ENGINEER: JULIE BALLESTEROS DATE: 4/9/2019
 PRINT NAME: RCEB

WBS: S-10050
 TYPE: YOVANNA LEWIS
 PROJECT MANAGER

DESCRIPTION	BY	APPROVED	DATE	FILMED
ADDENDUM	KTUA	<i>James Jarrett</i>	08/12/2019	

PROJECT ENGINEER: CONTROL CERTIFICATION
 210N, 1725E
 LAMBERT COORDINATES
 40295-03-D

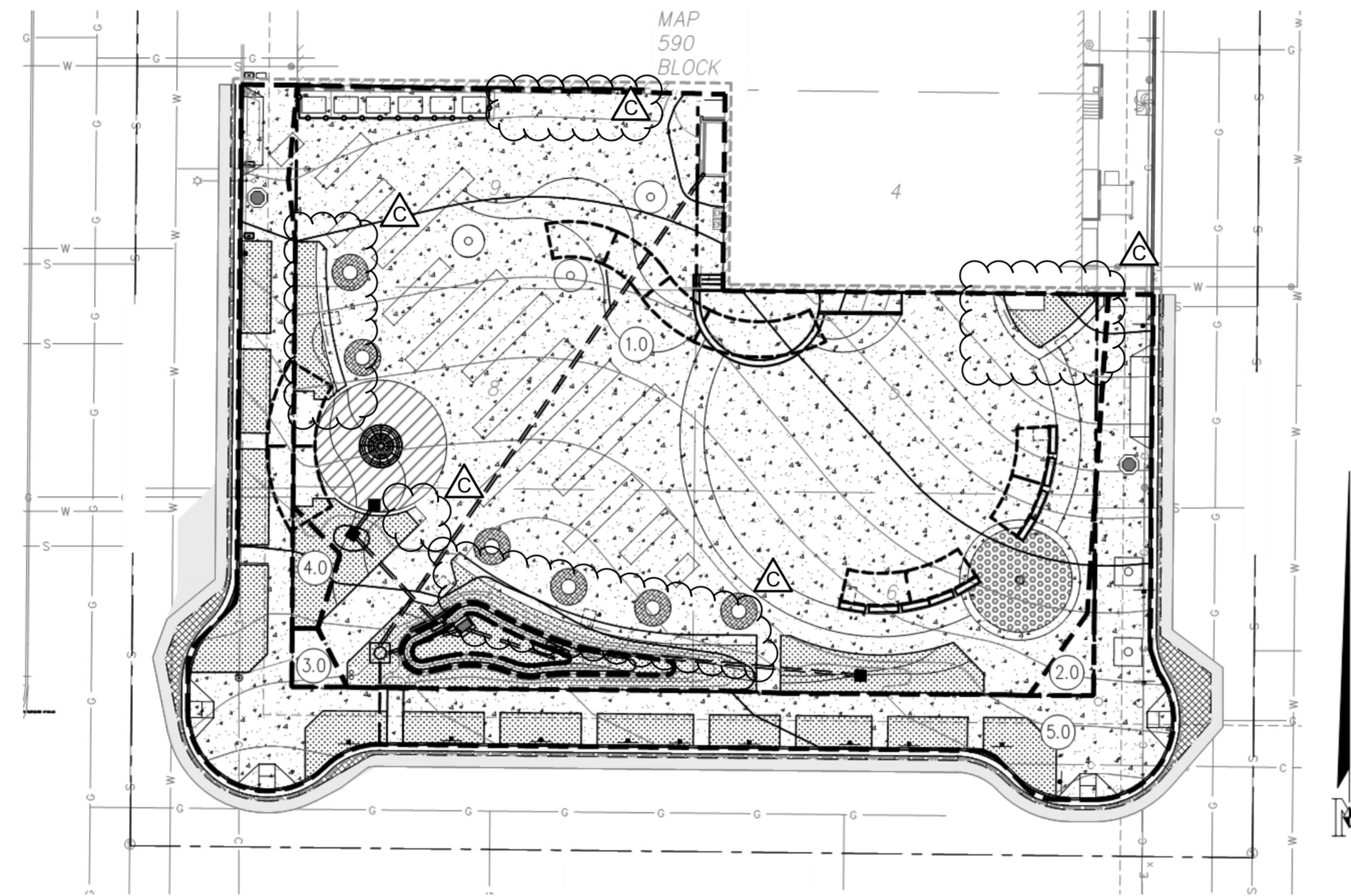
CONSTRUCTION CHANGE / ADDENDUM			
CHANGE	DATE	AFFECTED OR ADDED SHEET NUMBERS	APPROVAL NO.

CHANGES TO PLAN, DG CHANGED TO CONCRETE. STORAGE CONTAINERS REMOVED.

NORTH PARK MINI PARK

STORM WATER REQUIREMENTS:

1. THIS PROJECT IS SUBJECT TO MUNICIPAL CODE SECTION 4303 AND ORDER NO. R9-2013-0001 AS AMENDED BY R9-2015-0001 AND R9-2015-0100.
2. ALL WORK RELATED TO POST CONSTRUCTION STORMWATER QUALITY SHALL BE IN ACCORDANCE WITH THE STORM WATER QUALITY MANAGEMENT PLAN ENTITLED:
PROJECT NAME: WBS S-10050 NOTH PARK MINI PARK
PROJECT ADDRESS: 3812 29TH STREET SAN DIEGO, CA 92104
PREPARED BY: NASLAND ENGINEERING
DATE PREPARED: MARCH 20, 2018
3. POST-CONSTRUCTION BMPs ARE REQUIRED, SEE SHEETS C-03 & C-04



SITE MAP
1"=30'

DECLARATION OF RESPONSIBLE CHARGE

I HEREBY DECLARE THAT I AM THE ENGINEER OF WORK FOR THIS PROJECT THAT I HAVE EXERCISED RESPONSIBLE CHARGE OVER THE DESIGN OF THE PROJECT AS DEFINED IN SECTION 6703 OF THE BUSINESS AND PROFESSIONS CODE AND THAT THE DESIGN IS CONSISTENT WITH CURRENT STANDARDS. I UNDERSTAND THAT THE CHECK OF PROJECT DRAWINGS AND SPECIFICATIONS BY THE CITY OF SAN DIEGO IS CONFINED TO A REVIEW ONLY AND DOES NOT RELIEVE ME, AS ENGINEER OF WORK, OF MY RESPONSIBILITIES FOR PROJECT DESIGN.

JAMES J LINN R.C.E. 84321 EXP. DATE 09-30-19
SHEETS C-01 TO C-08
NASLAND ENGINEERING
4740 RUFFNER STREET
SAN DIEGO, CA 92111
(858) 292-7770

IMPERVIOUS QUANTITIES

EXISTING IMPERVIOUS AREA	25,220 SQ FT
PROPOSED/CREATED IMPERVIOUS AREA	0 SQ FT
REPLACED IMPERVIOUS AREA	20,205 SQ FT
TOTAL PROPOSED IMPERVIOUS AREA	20,205 SQ FT
TOTAL PROPOSED PERVIOUS AREA	5,015 SQ FT

POST-CONSTRUCTION BMP CERTIFICATION:

AS THE PROFESSIONAL IN RESPONSIBLE CHARGE FOR THE DESIGN OF THIS PROJECT, I CERTIFY THAT I HAVE PERFORMED A VISUAL OBSERVATION OF ALL CONSTRUCTED LOW IMPACT DEVELOPMENT (LID) SITE DESIGN, SOURCE CONTROL, HYDROMODIFICATION MANAGEMENT, AND TREATMENT CONTROL BMPs REQUIRED PER THE STORM WATER STANDARDS MANUAL; AND THAT SAID BMPs HAVE BEEN CONSTRUCTED IN COMPLIANCE WITH THE APPROVED PLANS AND ALL APPLICABLE SPECIFICATIONS, PERMITS, ORDINANCES AND SAN DIEGO REGIONAL MS4 PERMIT.

I UNDERSTAND THAT THIS BMP CERTIFICATION STATEMENT DOES NOT CONSTITUTE AN OPERATION AND MAINTENANCE VERIFICATION.

SIGNATURE: _____

DATE OF SIGNATURE: _____

PRINTED NAME: _____

TITLE: _____

PHONE NO.: _____

SITE DESIGN, SOURCE CONTROL AND POLLUTANT CONTROL BMP OPERATION + MAINTENANCE PROCEDURE						
O&M RESPONSIBLE PARTY DESIGNEE: CITY OF SAN DIEGO TRANSPORTATION AND STORM WATER DEPARTMENT						
BMP DESCRIPTION	INSPECTION FREQUENCY	MAINTENANCE FREQUENCY	MAINTENANCE METHOD	QUANTITY	INCLUDED IN O&M MANUAL	SHEET NUMBER
SOURCE CONTROL ELEMENTS	YEARLY	AS NEEDED	NEW STAMP	1	X YES NO	
DESCRIPTION: SC-2, STORM DRAIN INLET MARKERS						C-02
SOURCE CONTROL ELEMENTS	YEARLY	AS NEEDED	REMOVE BLOCKAGE	1	X YES NO	
DESCRIPTION: SC-6, STORM DRAIN INLETS						C-02
SOURCE CONTROL ELEMENTS	YEARLY	WEEKLY	EMPTY TRASH BINS	3	X YES NO	
DESCRIPTION: SC-6, REFUSE AREAS						C-02
SITE DESIGN ELEMENTS	YEARLY	AS NEEDED	RESEED/INSPECT PLANTS	N/A	X YES NO	
DESCRIPTION: SD-7: LANDSCAPING WITH NATIVE OR DROUGHT TOLERANT SPECIES						C-02
POLLUTANT CONTROL BMP(S)	YEARLY	AS NEEDED	REPAIR/RESEED/REPLANT ERODED AREAS	1	X YES NO	
	YEARLY	AS NEEDED	UNCLOG INLETS	1	X YES NO	
	YEARLY	MONTHLY	MOW/TRIM OVERGROWN VEGETATION	1	X YES NO	
	YEARLY	AS NEEDED	REPAIR/REPLACE BASIN MEASURES TO REMOVE STANDING WATER	1	X YES NO	
	YEARLY	AS NEEDED	REPAIR/REPLACE STRUCTURAL COMPONENTS	1	X YES NO	
DESCRIPTION: BIOFILTRATION BASIN 1, TYPE BF-1						C-02
HMP FACILITY (IF SEPARATE)					YES X NO	
DESCRIPTION: HMP FACILITIES COMBINED WITH BIOFILTRATION BASINS						
HMP EXEMPT						

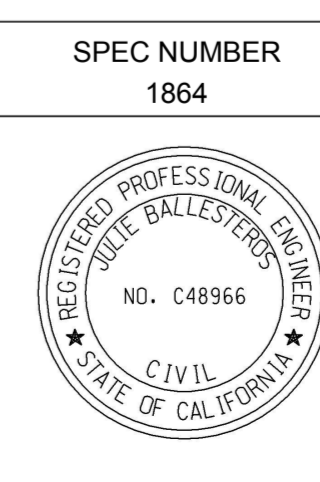
CONSTRUCTION CHANGE / ADDENDUM			
CHANGE	DATE	AFFECTED OR ADDED SHEET NUMBERS	APPROVAL NO.



CONSULTANT

3916 Normal Street
San Diego, CA 92103
619.294.4477
www.ktua.com

REG. NO. C48966
CIVIL
STATE OF CALIFORNIA



PLANS FOR THE CONSTRUCTION OF:

NORTH PARK MINI PARK
BMP PLAN - COVER SHEET

CITY OF SAN DIEGO, CALIFORNIA
PUBLIC WORKS DEPARTMENT
SHEET 08 OF 12 SHEETS

WBS S-10050
TYPE

APPROVED FOR CITY ENGINEER: JULIE BALLESTEROS
DATE: 07-15-2019
DATE: 48966

FOR PROJECT MANAGER: YOVANNA LEWIS

PROJECT ENGINEER

CONTROL CERTIFICATION
210N, 1725E
LAMBERT COORDINATES
40295-06-D

NORTH PARK MINI PARK

C-04

SOURCE CONTROL BMP CHECKLIST FOR PRIORITY DEVELOPMENT PROJECTS FORM I-4

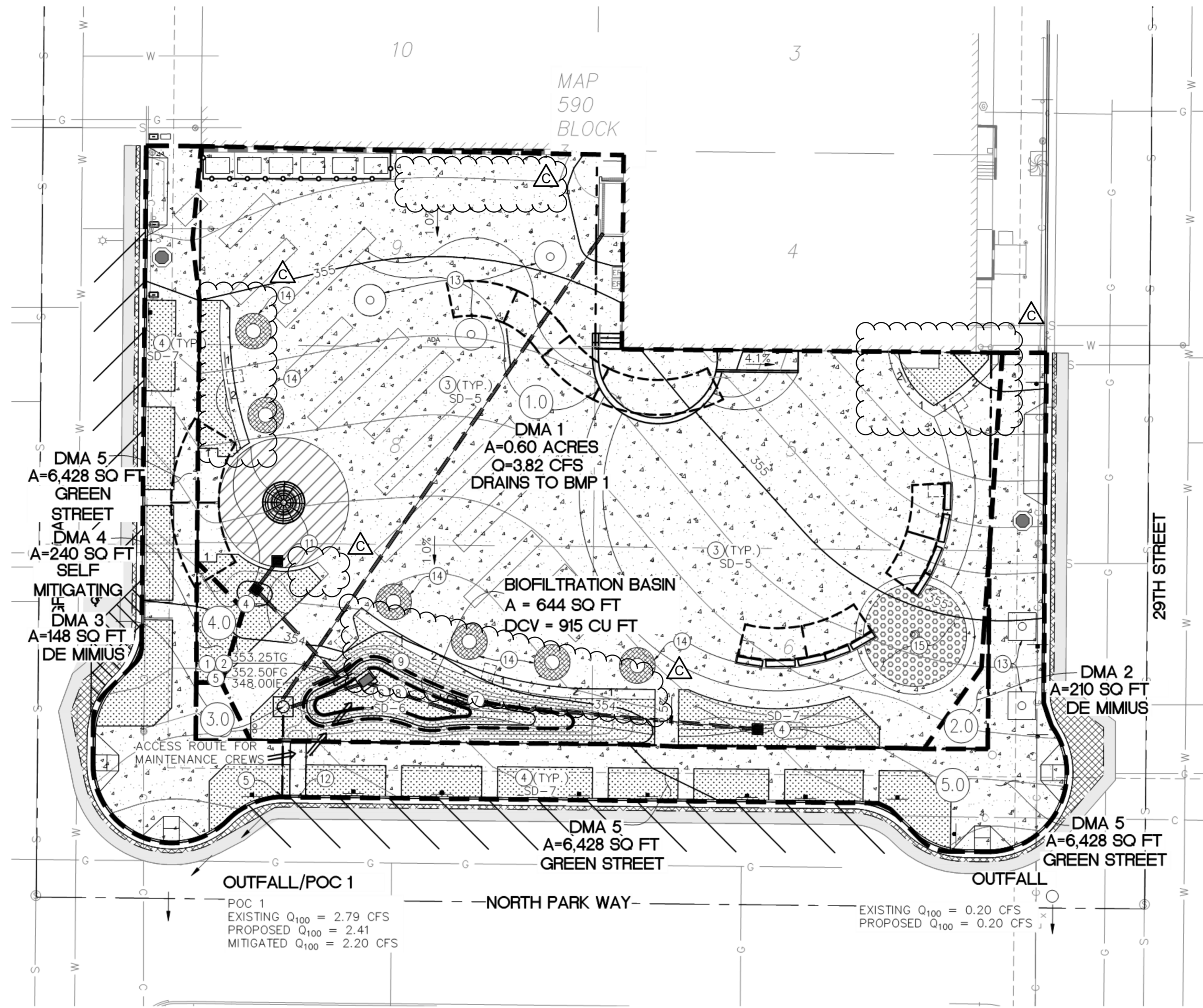
ALL DEVELOPMENT PROJECTS MUST IMPLEMENT SOURCE CONTROL BMP'S SC-1 THROUGH SC-6 AND, REFER TO CHAPTER 4 AND APPENDIX E OF THE BMP DESIGN MANUAL FOR INFORMATION TO IMPLEMENT BMP'S AS SHOWN IN THIS CHECKLIST. NOTE: ALL SELECTED BMP'S MUST BE SHOWN ON THE CONSTRUCTION PLANS.

SOURCE CONTROL REQUIREMENT	APPLIED?
SC-1 PREVENTION OF ILLICIT DISCHARGES INTO THE MS4	YES
SC-2 STORM DRAIN INLET MARKERS	YES
SC-3 PROTECT OUTDOOR MATERIALS STORAGE AREAS FROM RAINFALL, RUN-ON, RUNOFF, AND WIND DISPERSAL	N/A
SC-4 PROTECT MATERIALS STORED IN OUTDOOR WORK AREAS FROM RAINFALL, RUN-ON, RUNOFF, AND WIND DISPERSAL	N/A
SC-5 PROTECT TRASH STORAGE AREAS FROM RAINFALL, RUN-ON, RUNOFF, AND WIND DISPERSAL	N/A
SC-6 BMP'S BASED ON POTENTIAL SOURCES OF RUNOFF POLLUTANTS	YES
ON-SITE STORM DRAIN INLETS	YES
INTERIOR FLOOR DRAINS AND ELEVATOR SHAFT SUMP PUMPS	N/A
INTERIOR PARKING GARAGES	N/A
NEED FOR FUTURE INDOOR AND STRUCTURAL PEST CONTROL	N/A
LANDSCAPE / OUTDOOR PESTICIDE USE	YES
POOLS, SPAS, PONDS, DECORATIVE FOUNTAINS, AND OTHER WATER FEATURES	N/A
FOOD SERVICE	N/A
REFUSE AREAS	YES
INDUSTRIAL PROCESSES	N/A
OUTDOOR STORAGE OF EQUIPMENT OR MATERIALS	N/A
VEHICLE / EQUIPMENT REPAIR AND MAINTENANCE	N/A
FUEL DISPENSING AREAS	N/A
LOADING DOCKS	N/A
FIRE SPRINKLER TEST WATER	N/A
MISCELLANEOUS DRAIN OR WASH WATER	N/A
PLAZAS, SIDEWALKS, AND PARKING LOTS	YES
SC-6A: LARGE TRASH GENERATING FACILITIES	N/A
SC-6B: ANIMAL FACILITIES	N/A
SC-6C: PLANT NURSERIES AND GARDEN CENTERS	N/A
SC-6D: AUTOMOTIVE-RELATED USES	N/A
DISCUSSION / JUSTIFICATION FOR ALL "NO" ANSWER SHOWN ABOVE:	

SITE DESIGN BMP CHECKLIST FOR PRIORITY DEVELOPMENT PROJECTS FORM I-5

ALL DEVELOPMENT PROJECTS MUST IMPLEMENT SITE DESIGN BMP'S SD-1 THROUGH SD-8. REFER TO CHAPTER 4 AND APPENDIX E OF THE BMP DESIGN MANUAL FOR INFORMATION TO IMPLEMENT BMP'S SHOWN IN THIS CHECKLIST. NOTE: ALL SELECTED BMP'S MUST BE SHOWN ON THE CONSTRUCTION PLANS.

SOURCE CONTROL REQUIREMENT	APPLIED?
SD-1 MAINTAIN NATURAL DRAINAGE PATHWAYS AND HYDROLOGIC FEATURES	N/A
SD-2 CONSERVE NATURAL AREAS, SOILS, AND VEGETATION	N/A
SD-3 MINIMIZE IMPERVIOUS AREA	YES
SD-4 MINIMIZE SOIL COMPACTION	YES
SD-5 IMPERVIOUS AREA DISPERSION	YES
SD-6 RUNOFF COLLECTION	N/A
SD-7 LANDSCAPING WITH NATIVE OR DROUGHT TOLERANT SPECIES	YES
SD-8 HARVESTING AND USING PRECIPITATION	NO
DISCUSSION / JUSTIFICATION FOR ALL "NO" ANSWER SHOWN ABOVE:	
HARVESTING AND USE NOT TO BE USED AS THERE IS NO ROOF RUNOFF	

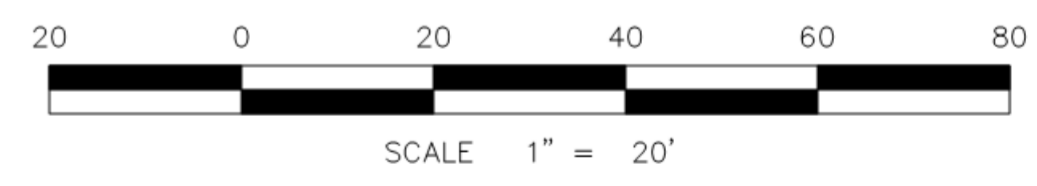


LEGEND:

- PROPOSED CONTOUR ——— 15 ———
- EXISTING CONTOUR ——— 15 ———
- EXISTING STORM DRAIN LINE ——— SD ———
- PROPOSED STORM DRAIN ——— SD ———
- LIMITS OF WORK ———
- PROPOSED DMA LIMITS ———
- PERCENT OF GRADE 1.5%
- EXISTING FENCE ——— X ———
- PROPOSED PCC PAVING [Symbol]
- LANDSCAPING AREA [Symbol]
- DECORATIVE PAVERS PER LANDSCAPE PLANS [Symbol]
- PERVIOUS CONCRETE PER LANDSCAPE PLANS [Symbol]
- 6' X 6' CAST IRON TREE GRATE [Symbol]
- 6' DIAMETER TREE GRATE [Symbol]
- TYPE A4 CLEANOUT PER CSD D-09 [Symbol]
- PROPOSED 8" CLEANOUT [Symbol]
- 3" SIDEWALK UNDERDRAIN [Symbol]
- TYPE I CATCH BASIN [Symbol]
- PROPOSED 12" X 12" SUBGRADE PRECAST INLET [Symbol]
- PROPOSED FENCE [Symbol]

BMP NOTES

- 1 STORM DRAIN INLET MARKERS SEE DETAIL 1 SHEET C-02.
- 2 INSTALL TYPE I CATCH BASIN PER SDRSD D-29 WITH 3/4" ORIFICE.
- 3 MAINTAIN IMPERVIOUS AREA DISPERSION.
- 4 NATIVE/DROUGHT TOLERANT LANDSCAPING AMEND SOIL TO MINIMIZE COMPACTION PER LANDSCAPE SPECIFICATION.
- 5 MAJOR STORM RUNOFF TO BE COLLECTED AND DIRECTED INTO EXISTING STORM DRAIN SYSTEM.
- 6 INSTALL BIOFILTRATION BASIN TYPE BF-1 PER DETAIL 2 SHEET C-02.
- 7 PROPOSED CLEANOUT FOR 8" STORM DRAIN PER DETAIL 3, SHEET C-02.
- 8 PAINT MAINTENANCE THRESHOLD MARK ON OUTLET STRUCTURE PLACED 3" ABOVE BOTTOM OF BASIN.
- 9 8" PVC UNDERDRAIN FOR STORM WATER TREATMENT PER SDSW-102.
- 10 STORM DRAIN LIFT STATION PER DETAIL 1, SHEET C-03.
- 11 INSTALL 12" X 12" SUBGRADE PRECAST INLET. OLDCASTLE OR APPROVED EQUAL PER DETAIL 4 ON SHEET C-02.
- 12 INSTALL TYPE A CURB OUTLET PER SDRSD D-25.
- 13 INSTALL TREE GRATES PER DETAILS ON SHEET L-09.
- 14 INSTALL PERVIOUS CONCRETE UNDER CONCRETE TREE RINGS PER DETAIL 4 ON SHEET L-07.
- 15 INSTALL CONCRETE PAVERS PER DETAIL 1 ON SHEET L-17.



C-06

Nasland Civil Engineering Surveying Land Planning
 T (858) 292-7770
 4740 Ruffner Street San Diego, CA 92111
 nasland.com



PLANS FOR THE CONSTRUCTION OF:
NORTH PARK MINI PARK
BMP PLAN

CITY OF SAN DIEGO, CALIFORNIA
 PUBLIC WORKS DEPARTMENT
 SHEET 08 OF 12 SHEETS

WBS S-10050
 TYPE

APPROVED FOR CITY ENGINEER: *Julie Ballesteros* DATE: 07-15-2019
 PRINT NAME: JULIE BALLESTEROS DATE: 48966
 PROJECT MANAGER: YOVANNA LEWIS

DESCRIPTION BY APPROVED DATE FILMED PROJECT ENGINEER
 ADDENDUM KTUA [Signature] 08/12/2019

CONTRACTOR: _____ DATE STARTED: _____
 INSPECTOR: _____ DATE COMPLETED: _____

CONTROL CERTIFICATION
 210N, 1725E
 LAMBERT COORDINATES
 40295-08-D

CONSTRUCTION CHANGE / ADDENDUM			
CHANGE	DATE	AFFECTED OR ADDED SHEET NUMBERS	APPROVAL NO.

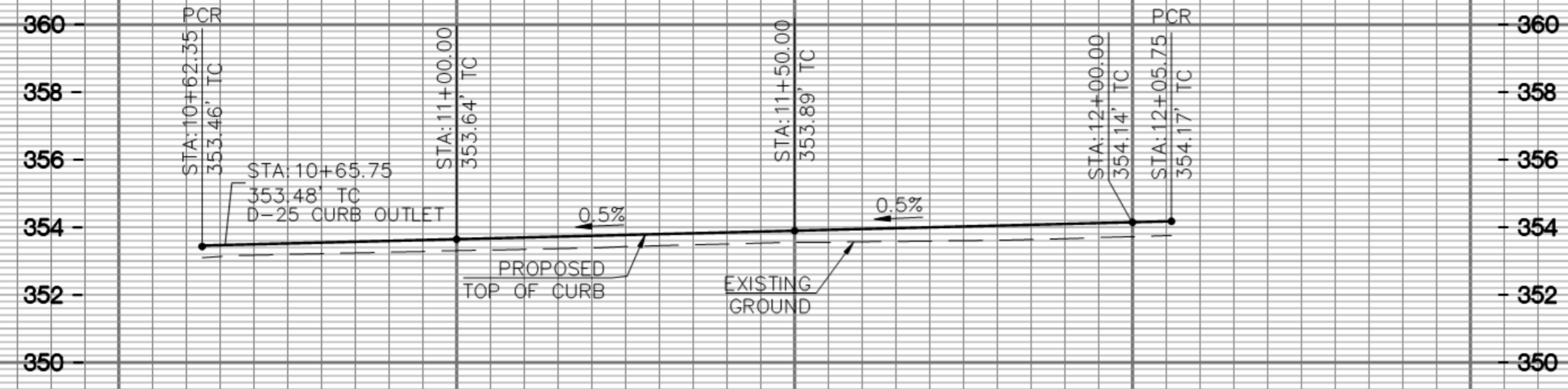
The City of **SAN DIEGO** Parks and Recreation

ktua 3916 Normal Street
 San Diego, CA 92103
 619.294.4477
 www.ktua.com



CHANGES TO PLAN: DG CHANGED TO CONCRETE. STORAGE CONTAINERS REMOVED.

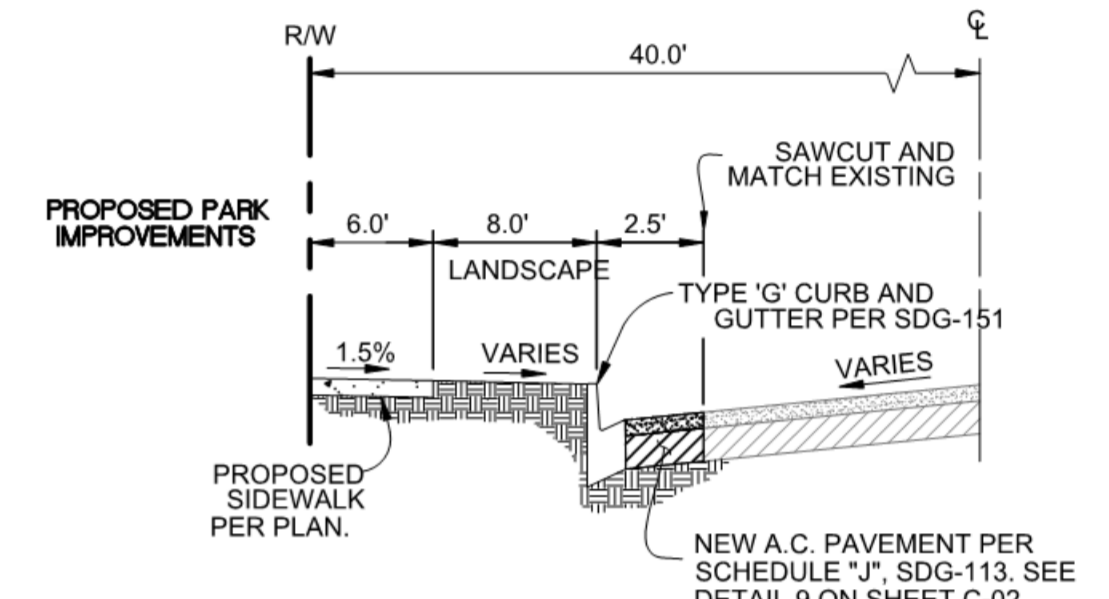
NORTH PARK MINI PARK



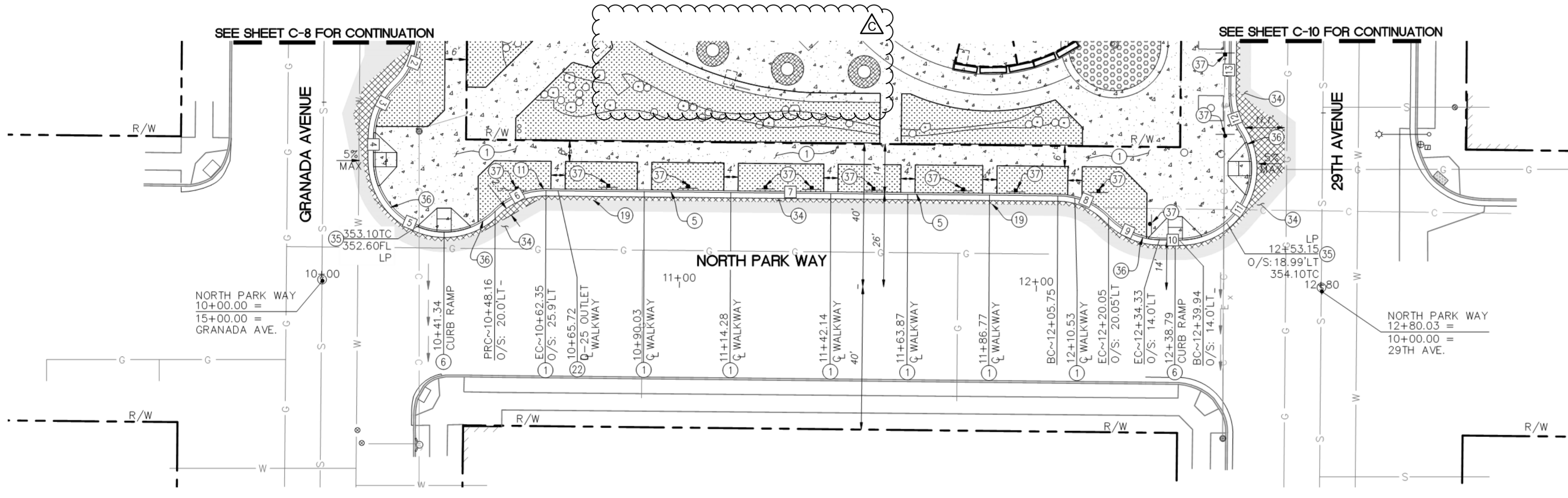
NORTH PARK WAY CURB PROFILE:
SCALE: 1"=20' HORIZ.
1"=4' VERT.

CONSTRUCTION NOTES

- 1 DECORATIVE CONCRETE PAVING, COLORING, SCORING, AND FINISHING PER DETAILS ON SHEET L-07.
- 5 REMOVE EXISTING CURB AND INSTALL 6" CONCRETE CURB AND GUTTER TYPE 'G' PER SDRSD SDG-151.
- 6 INSTALL TYPE 'A' CONCRETE CURB RAMP PER SDG-133
- 11 INSTALL 3" SIDEWALK UNDERDRAIN PER SDRSD D-27.
- 19 SAWCUT, REMOVE, AND REPLACE EXISTING STREET SECTION PER SCHEDULE 'J' PAVING PER SDRSD SDG-113. SEE DETAIL 9 ON SHEET C-02
- 22 INSTALL TYPE A CURB OUTLET PER SDRSD D-25.
- 34 1.5" GRIND AND OVERLAY EXISTING AC PER SHEET C-02 DETAIL 9.
- 35 FLATTEN GUTTER TO OUTLET AT EXISTING FLOWLINE IN STREET.
- 36 CONSTRUCT 6" MOUNTABLE CURB PER DETAILS 7 ON SHEET C-02
- 37 REMOVE AND RELOCATE STREET SIGN. SEE SIGNING AND STRIPING PLAN ON SHEET C-10.



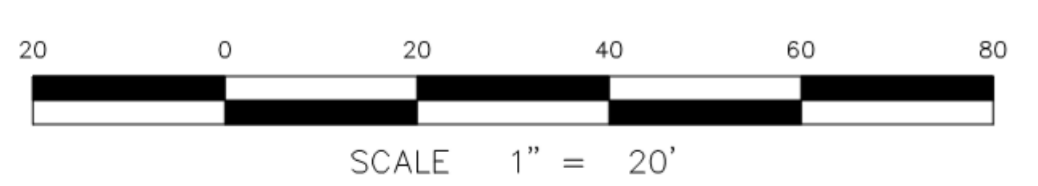
NORTH PARK WAY IMPROVEMENTS TYPICAL SECTION
NO SCALE



IMPROVEMENT PLAN
SCALE 1"=20'

CURB DATA TABLE				
#	BEARING/Delta	LENGTH	RADIUS	NOTE
2	45°35'26"	15.91'	20.00'	TYPE 'G' CURB AND GUTTER
3	45°35'32"	15.90'	20.00'	TYPE 'G' CURB AND GUTTER TRANSITION TO MOUNTABLE CURB
4	S 00°31'19" W	6.61'	--	MOUNTABLE CURB
5	135°10'42"	47.19'	20.00'	MOUNTABLE CURB
6	45°15'06"	15.92'	20.00'	MOUNTABLE CURB TRANSITION TO TYPE 'G' CURB AND GUTTER
7	S 89°25'09" E	143.40'	--	TYPE 'G' CURB AND GUTTER
8	45°37'51"	15.93'	20.00'	TYPE 'G' CURB AND GUTTER
9	45°34'32"	15.91'	20.00'	TYPE 'G' CURB AND GUTTER TRANSITION TO MOUNTABLE CURB
10	S 89°21'51" E	5.61'	--	MOUNTABLE CURB
11	121°54'53"	42.56'	20.00'	MOUNTABLE CURB
12	31°45'31"	11.09'	20.00'	MOUNTABLE CURB TRANSITION TO TYPE 'G' CURB AND GUTTER
13*	N 00°27'42" E	85.10'	--	TYPE 'G' CURB AND GUTTER

* = CURB SEGMENT RUNS BEYOND THE MATCHLINE



CONSTRUCTION CHANGE / ADDENDUM			
CHANGE	DATE	AFFECTED OR ADDED SHEET NUMBERS	APPROVAL NO.



CONSULTANT



3916 Normal Street
San Diego, CA 92103
619.294.4477
www.ktua.com

REGISTERED PROFESSIONAL ENGINEER
NO. 48966
CIVIL
STATE OF CALIFORNIA

PLANS FOR THE CONSTRUCTION OF:

NORTH PARK MINI PARK
NORTH PARK WAY IMPROVEMENT PLAN

CITY OF SAN DIEGO, CALIFORNIA
PUBLIC WORKS DEPARTMENT
SHEET 11 OF 12 SHEETS

APPROVED: *Julie Ballesteros*
FOR CITY ENGINEER
DATE: 07-15-2019
DATE: 48966

DESIGNED BY: *Julie Ballesteros*
DATE: 08/12/2019

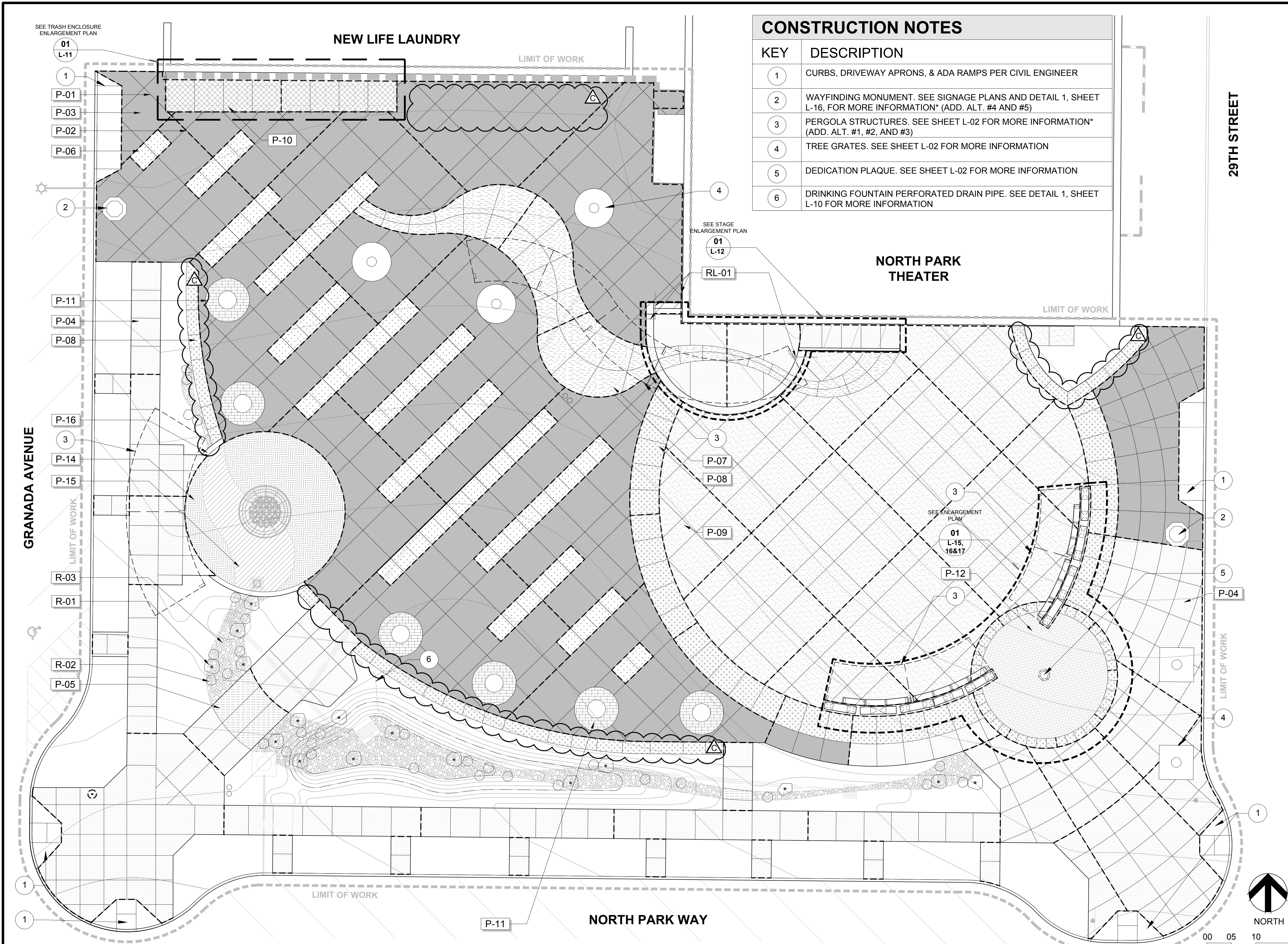
WBS: S-10050
TYPE: PROJECT MANAGER
YOVANNA LEWIS

PROJECT ENGINEER

CONTROL CERTIFICATION
210N, 1725E
LAMBERT COORDINATES
40295-11 -D

NORTH PARK MINI PARK

C-09



CONSTRUCTION NOTES

KEY	DESCRIPTION
1	CURBS, DRIVEWAY APRONS, & ADA RAMPS PER CIVIL ENGINEER
2	WAYFINDING MONUMENT. SEE SIGNAGE PLANS AND DETAIL 1, SHEET L-16, FOR MORE INFORMATION* (ADD. ALT. #4 AND #5)
3	PERGOLA STRUCTURES. SEE SHEET L-02 FOR MORE INFORMATION* (ADD. ALT. #1, #2, AND #3)
4	TREE GRATES. SEE SHEET L-02 FOR MORE INFORMATION
5	DEDICATION PLAQUE. SEE SHEET L-02 FOR MORE INFORMATION
6	DRINKING FOUNTAIN PERFORATED DRAIN PIPE. SEE DETAIL 1, SHEET L-10 FOR MORE INFORMATION

CONSTRUCTION LEGEND

KEY	SYMBOL	DESCRIPTION
P-01	---	CONTROL JOINT
P-02	----	EXPANSION JOINT W/ DOWEL
P-03	[Pattern]	CONCRETE - PEWTER VEHICULAR APPLICATION
P-04	[Pattern]	CONCRETE - PEWTER PEDESTRIAN APPLICATION
P-05	[Pattern]	CONCRETE - PEWTER WITH EXPOSED AGGREGATE PEDESTRIAN APPLICATION
P-06	[Pattern]	CONCRETE - PEWTER WITH EXPOSED AGGREGATE VEHICULAR APPLICATION - TYPE 1
P-07	[Pattern]	CONCRETE - PEWTER WITH EXPOSED AGGREGATE VEHICULAR APPLICATION - TYPE 2
P-08	[Pattern]	CONCRETE - SOUTHERN BLUSH VEHICULAR APPLICATION
P-09	[Pattern]	CONCRETE - CANYON VEHICULAR APPLICATION
P-10	[Pattern]	CONCRETE - STANDARD GREY VEHICULAR APPLICATION
P-11	[Pattern]	CONCRETE - POROUS - PEWTER VEHICULAR APPLICATION
P-12	[Pattern]	CONCRETE UNIT PAVER - HEXAGONAL PEDESTRIAN APPLICATION
P-14	[Pattern]	RESILIENT SURFACING - SPECKLE
P-15	[Pattern]	RESILIENT SURFACING - MOUNTAINTOP
P-16	[Symbol]	PLAYGROUND CURB
R-01	[Symbol]	LARGE BOULDERS 3'X3'X3'
R-02	[Symbol]	SMALL BOULDERS 2'X2'X2'
R-03	[Symbol]	COBBLE INSTALLED ON-GRADE 4"-8"
RL-01	[Symbol]	METAL HANDRAIL

SITE STRUCTURES & AMENITIES

NOTE: FOR DETAILS, COLORS, FINISHES, & MORE INFORMATION SEE FULL CONSTRUCTION LEGEND ON SHEETS L - 03 THRU L - 06

* FOR ALL ADD. ALT. INFORMATION, SEE WRITTEN DESCRIPTIONS ON SHEET L-03

- ### SHEET NOTES
- SEE SHEETS C-01 THRU C-011 FOR CIVIL DRAWINGS
 - SEE SHEETS L-03 THRU L-20 FOR CONSTRUCTION NOTES, LEGENDS, SCHEDULES, & DETAILS
 - SEE SHEETS A-01 THRU A-06 FOR PERGOLA PLANS & DETAILS
 - SEE SHEETS S-01 THRU S-03 FOR STRUCTURAL DETAILS
 - SEE SHEETS E-01 THRU E-09 FOR ELECTRICAL DRAWINGS
 - SEE SHEETS LI-01 THRU LI-06 FOR IRRIGATION DRAWINGS, DETAILS, LEGEND & NOTES
 - SEE SHEETS LS-01, AND LP-01 THRU LP-04 FOR SOIL PLAN, PLANTING DRAWINGS, DETAILS, LEGEND & NOTES
 - SEE SPECIFICATIONS FOR MORE INFORMATION

CHANGE	DATE	AFFECTED OR ADDED SHEET NUMBERS	APPROVAL NO.



CONSULTANT

3916 Normal Street
San Diego, CA 92103
619.294.4477
www.ktua.com

PLANS FOR THE CONSTRUCTION OF:

NORTH PARK MINI PARK CONSTRUCTION PLAN

CITY OF SAN DIEGO, CALIFORNIA
PUBLIC WORKS DEPARTMENT
SHEET 14 OF 72 SHEETS

APPROVED FOR CITY ENGINEER: JULIE BALLESTEROS
DATE: 07-15-2019
DATE: 48966

WBS TYPE: S-10050
STARTED BY: YOVANNA LEWIS
PROJECT MANAGER

PROJECT ENGINEER: YOVANNA LEWIS

CONTROL CERTIFICATION: 210N, 1725E
LAMBERT COORDINATES: 40295-14-D

CONSTRUCTION NOTES

KEY	DESCRIPTION
1	ADA COMPANION SEATING (6 TOTAL).
2	WAYFINDING MONUMENT. SEE SIGNAGE PLANS FOR MORE INFORMATION. SEE DETAIL 1/L-16 FOR DETAILS (2 TOTAL)* (ADD. ALT. #4 AND #5)
3	ACCESSIBLE PEDESTRIAN ROUTE TO TRASH ENCLOSURE AND THROUGH SITE.

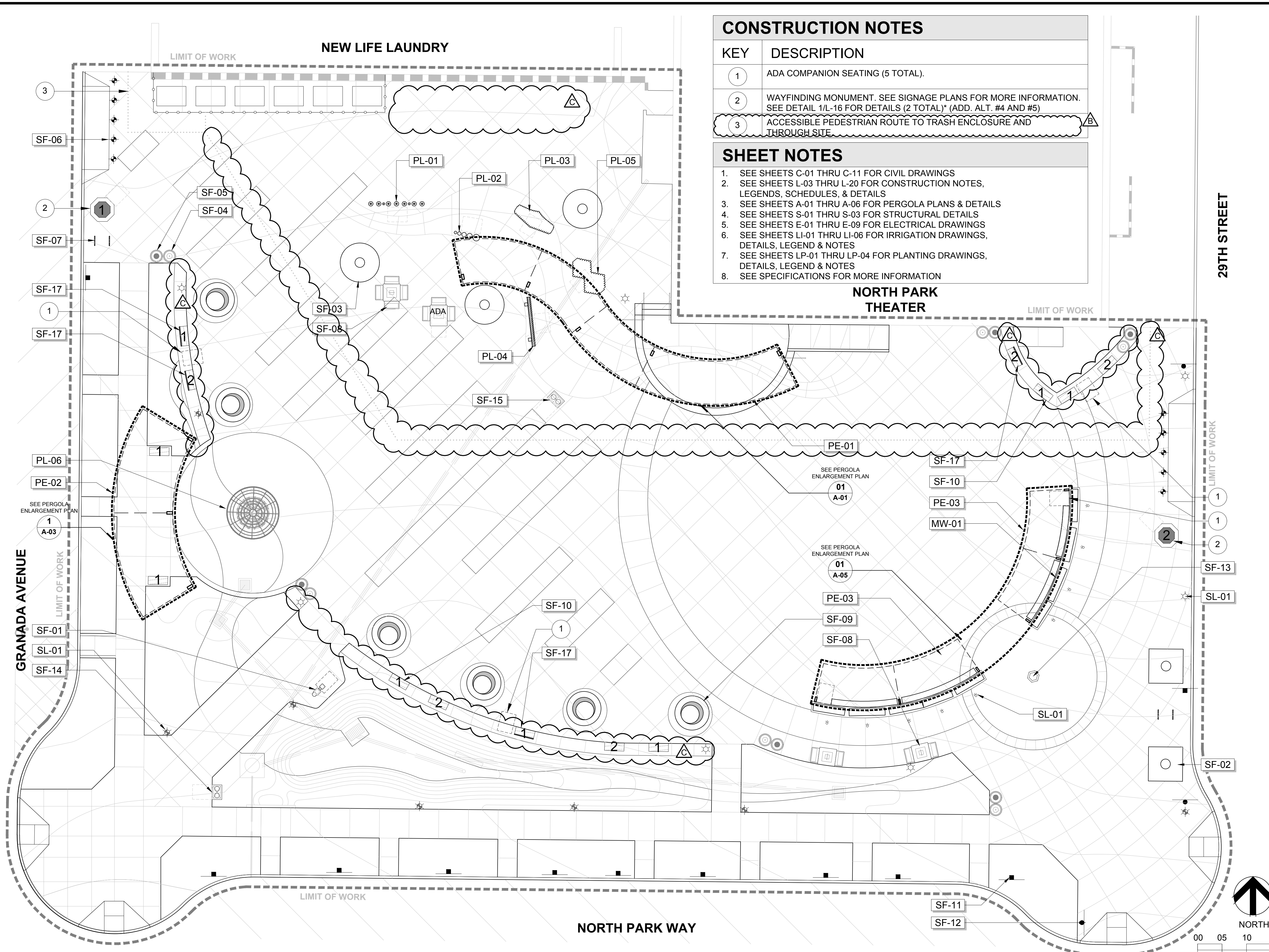
SHEET NOTES

- SEE SHEETS C-01 THRU C-11 FOR CIVIL DRAWINGS
- SEE SHEETS L-03 THRU L-20 FOR CONSTRUCTION NOTES, LEGENDS, SCHEDULES, & DETAILS
- SEE SHEETS A-01 THRU A-06 FOR PERGOLA PLANS & DETAILS
- SEE SHEETS S-01 THRU S-03 FOR STRUCTURAL DETAILS
- SEE SHEETS E-01 THRU E-09 FOR ELECTRICAL DRAWINGS
- SEE SHEETS LI-01 THRU LI-06 FOR IRRIGATION DRAWINGS, DETAILS, LEGEND & NOTES
- SEE SHEETS LP-01 THRU LP-04 FOR PLANTING DRAWINGS, DETAILS, LEGEND & NOTES
- SEE SPECIFICATIONS FOR MORE INFORMATION

CONSTRUCTION LEGEND

KEY	SYMBOL	DESCRIPTION
FURNISHINGS SITE STRUCTURES AMENITIES		
MW-01		MONUMENT WALL
PE-01		PERGOLA 1* (ADD. ALT. #1)
PE-02		PERGOLA 2* (ADD. ALT. #2)
PE-03		PERGOLA 3* (ADD. ALT. #3) (1 TOTAL WITH 2 PIECES)
PL-01		CONTRABASS CHIMES
PL-02		TUNED DRUMS
PL-03		METALLOPHONE
PL-04		SWIRL CHIMES
PL-05		XYLOPHONE
PL-06		DYNAMO PLAY STRUCTURE
SF-01		DRINKING FOUNTAIN
SF-02		TREE GRATE - SQUARE
SF-03		TREE GRATE - ROUND
SF-04		LITTER RECEPTACLE - TRASH (6 TOTAL)
SF-05		LITTER RECEPTACLE - RECYCLING (6 TOTAL)
SF-06		BOLLARD - REMOVABLE (10 TOTAL)
SF-07		BIKE RACK (4 TOTAL)
SF-08		GAME TABLE & BENCHES (4 TOTAL)
SF-09		CIRCULAR BENCH RING (6 TOTAL)
SF-10		BENCH - BACKLESS - SEE DETAIL FOR APPLICABLE CONFIGURATION (9 TOTAL)
SF-11		PARKING SIGN EX. RELOCATED SIGN. SEE NOTES ON SHEET LD-01
SF-12		TRAFFIC SIGN EX. RELOCATED SIGN. SEE NOTES ON SHEET LD-01
SF-13		DEDICATION PLAQUE (1 TOTAL)
SF-14		INTERPRETIVE SIGN - 1 (1 TOTAL)
SF-15		INTERPRETIVE SIGN - 2 (1 TOTAL)
SF-17		BENCH - WITH BACK - SEE DETAIL FOR APPLICABLE CONFIGURATION (4 TOTAL)
SL-01		LIGHT FIXTURES PER ELECTRICAL ENG.

NOTE: FOR DETAILS, COLORS, FINISHES, & MORE INFORMATION SEE FULL CONSTRUCTION LEGEND ON SHEETS L - 03 THRU L - 06
 * FOR ALL ADD. ALT. INFORMATION, SEE WRITTEN DESCRIPTIONS ON SHEET L-03



L-02

CONSTRUCTION CHANGE / ADDENDUM			
CHANGE	DATE	AFFECTED OR ADDED SHEET NUMBERS	APPROVAL NO.



CONSULTANT

3916 Normal Street
 San Diego, CA 92103
 619.294.4477
 www.ktua.com

REGISTERED PROFESSIONAL ENGINEER
 JULIE BALLESTEROS
 NO. C48966
 CIVIL
 STATE OF CALIFORNIA

PLANS FOR THE CONSTRUCTION OF:

NORTH PARK MINI PARK FURNITURE PLAN

CITY OF SAN DIEGO, CALIFORNIA
 PUBLIC WORKS DEPARTMENT
 SHEET 15 OF 72 SHEETS

APPROVED FOR CITY ENGINEER: *Julie Ballesteros*
 DATE: 07-15-2019
 PROJECT MANAGER: YOVANNA LEWIS

DESCRIPTION: ADDENDUM
 BY: KTUA
 APPROVED: *Julie Ballesteros*
 DATE: 08/12/2019
 FILMED:

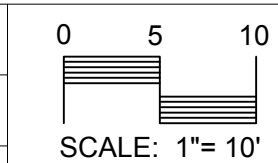
CONTRACTOR: _____ DATE STARTED: _____
 INSPECTOR: _____ DATE COMPLETED: _____

WBS TYPE: S-10050
 CONTROL CERTIFICATION: 210N, 1725E
 LAMBERT COORDINATES: 40295-15-D

CONSTRUCTION LEGEND

KEY	DETAIL	ITEM	DESCRIPTION	COLOR & FINISH	REMARKS & NOTES	SUPPLIER INFORMATION	
PAVING & SURFACING							
B-01	3 / LP-04	ROOT BARRIER	24" DEPTH UB 24-2 ROOT BARRIER BY DEEPROOT WITH DOUBLE TOP EDGE, GROUND LOCKS, ZIPPER JOINER, AND ROUNDED EDGES, OR APPROVED EQUAL	COLOR: BLACK	INSTALL PER DETAIL AND MANUFACTURER'S RECOMMENDATIONS.	DEEPROOT OR APPROVED EQUAL W: HTTPS://WWW.DEEPROOT.COM/WTB/ONLINE-STORES.HTML	
P-01	1 / L-07	CONTROL JOINT	SAWCUT JOINTS		JOINTING PER PLANS	-	
P-02	1 / L-07	EXPANSION JOINT	EXPANSION JOINT WITH POLYURETHANE FOAM SEALANT FILLER	COLOR: MATCH ADJACENT PAVING FINISH: MATCH ADJACENT PAVING	DOWEL ALL EXPANSION JOINTS SHOWN ON PLAN AS INDICATED IN EXPANSION JOINT DETAIL	-	
P-03	2 / L-07	CONCRETE - PEWTER VEHICULAR APPLICATION	INTEGRALLY COLORED CONCRETE IN MAIN PLAZA SPACE INSTALLED AT VEHICULAR THICKNESS	COLOR: PEWTER FINISH: SAND FINISH	CONTRACTOR SHALL PROVIDE MOCK-UP AS INSTRUCTED IN SPECIFICATIONS FOR EACH CONCRETE PAVING TYPE SHOWN ON PLANS PRIOR TO INSTALLATION. MOCK-UPS SHALL BE COMPLETED TO THE SATISFACTION OF THE CITY AND LANDSCAPE ARCHITECT INCLUDING COLORS, FINISHES, JOINTING. ANY PAVING INSTALLED PRIOR TO MOCK-UP APPROVAL MUST BE REMOVED AT CITY OR LANDSCAPE ARCHITECT'S REQUEST	DAVIS COLORS OR APPROVED EQUAL PH: (844) 341-4780	
P-04	3 / L-07	CONCRETE - PEWTER PEDESTRIAN APPLICATION	INTEGRALLY COLORED CONCRETE AT EXTERIOR WALKWAYS INSTALLED AT PEDESTRIAN THICKNESS	COLOR: PEWTER FINISH: SAND FINISH			
P-05	3 / L-07	CONCRETE - PEWTER WITH EXPOSED AGGREGATE PEDESTRIAN APPLICATION	INTEGRALLY COLORED CONCRETE AT EXTERIOR WALKWAYS INSTALLED AT PEDESTRIAN THICKNESS	COLOR: PEWTER FINISH: EXPOSED AGGREGATE, TOPCAST #5			
P-06	2 / L-07	CONCRETE - PEWTER WITH EXPOSED AGGREGATE VEHICULAR APPLICATION - TYPE 1	INTEGRALLY COLORED CONCRETE IN RECTANGULAR ACCENT BANDS INSTALLED AT VEHICULAR THICKNESS	COLOR: PEWTER FINISH: EXPOSED AGGREGATE, TOPCAST #15			
P-07	2 / L-07	CONCRETE - PEWTER WITH EXPOSED AGGREGATE VEHICULAR APPLICATION - TYPE 2	INTEGRALLY COLORED CONCRETE IN CURVILINEAR ACCENT BAND AT VEHICULAR THICKNESS	COLOR: PEWTER FINISH: EXPOSED AGGREGATE, TOPCAST #5			
P-08	2 / L-07	CONCRETE - SOUTHERN BLUSH VEHICULAR APPLICATION	INTEGRALLY COLORED CONCRETE IN CIRCULAR BAND INSTALLED AT VEHICULAR THICKNESS	COLOR: SOUTHERN BLUSH FINISH: EXPOSED AGGREGATE, TOPCAST #3			
P-09	2 / L-07	CONCRETE - CANYON VEHICULAR APPLICATION	INTEGRALLY COLORED CONCRETE IN CIRCULAR ENTRY SPACE INSTALLED AT VEHICULAR THICKNESS	COLOR: CANYON FINISH: SAND FINISH			
P-10	2 / L-07	CONCRETE - STANDARD GREY VEHICULAR APPLICATION	STANDARD GREY CONCRETE AT TRASH ENCLOSURE INSTALLED AT VEHICULAR THICKNESS	COLOR: STANDARD GREY FINISH: MEDIUM BROOM			
P-11	2 / L-07	CONCRETE - PEWTER POROUS - VEHICULAR APPLICATION	INTEGRALLY COLORED POROUS CONCRETE AROUND TREE RINGS FOR ROOTBALL AIR EXCHANGE INSTALLED AT VEHICULAR THICKNESS	COLOR: PEWTER FINISH: EXPOSED AGGREGATE			
P-12	1&2 / L-17	CONCRETE UNIT PAVER - HEXAGONAL PEDESTRIAN APPLICATION	HEXAGONAL 8CM NC COLOR FM DONOR PAVER IN CIRCULAR ENTRY SPACE	FIELD PAVER COLOR: LIGHT GREY DONOR PAVER COLOR: SUPER WHITE FINISH: FACE MIX			INSTALL PER DETAIL AND MANUFACTURER'S RECOMMENDATIONS. DONOR PAVER TEXT COLOR, FONT, SIZE AND OTHER DETAILS SHALL BE COORDINATED WITH OWNER OR OWNER'S REPRESENTATIVE
P-14	2 / L-13	RESILIENT SURFACING - SPECKLE	TOTTURF DECORATIVE RESILIENT PLAY SURFACING MATRIX, OR APPROVED EQUAL	COLOR: SPECKLE (25% BLACK, 75% BEIGE)	INSTALL PER DETAIL AND MANUFACTURER'S RECOMMENDATIONS. SUBMIT SAMPLE OF COLOR MIX FOR APPROVAL BY OWNER AND LANDSCAPE ARCHITECT	TOTTURF BY ROBERTSON RECREATION SURFACE OR APPROVED EQUAL PH: (760) 809-1875 E: DPURCELL@TOTTURF.COM CONTACT: DAVID PURCELL	
P-15	2 / L-13	RESILIENT SURFACING - MOUNTAINTOP	TOTTURF DECORATIVE RESILIENT PLAY SURFACING BAND, OR APPROVED EQUAL	COLOR: MOUNTAINTOP (50% BLUE, 50% BEIGE)			
P-16	2 / L-13	PLAYGROUND CURB	PLAYGROUND CURB AT DYNAMO SPINNER PLAY FEATURE	COLOR: PEWTER FINISH: SAND FINISH	CONTRACTOR SHALL PROVIDE MOCK-UP AS INSTRUCTED IN SPECIFICATIONS FOR EACH CONCRETE PAVING TYPE SHOWN ON PLANS PRIOR TO INSTALLATION. MOCK-UPS SHALL BE COMPLETED TO THE SATISFACTION OF THE CITY AND LANDSCAPE ARCHITECT INCLUDING COLORS, FINISHES, JOINTING. ANY PAVING INSTALLED PRIOR TO MOCK-UP APPROVAL MUST BE REMOVED AT CITY OR LANDSCAPE ARCHITECT'S REQUEST	DAVIS COLORS OR APPROVED EQUAL PH: (844) 341-4780	
R-01	1 / L-08	BOULDER - 3'X3'X3'	LARGE BOULDERS	COLOR: CRESTA BOULDER	REFER TO DETAIL & SPECIFICATIONS FOR MORE INFORMATION. PROVIDE SAMPLES FOR APPROVAL BY CITY & LANDSCAPE ARCHITECT PRIOR TO PURCHASE & INSTALLATION	SOUTHWEST BOULDER & STONE OR APPROVED EQUAL PH: (760) 497-2533 E: KCOX@SOUTHWESTBOULDER.COM CONTACT: KELLI COX	
R-02	1 / L-08	BOULDER - 2'X2'X2'	SMALL BOULDERS				
R-03	2&3 / L-08	COBBLE - ON-GRADE	COBBLE INSTALLED ON-GRADE				COLOR: SANTA FE COBBLE SIZE: 4"-8"
R-04	1 / LP-04	PEA GRAVEL	PEA GRAVEL INSTALLED UNDER TREE GRATES				COLOR: STANDARD CRUSHED ROCK SIZE: 3/8"

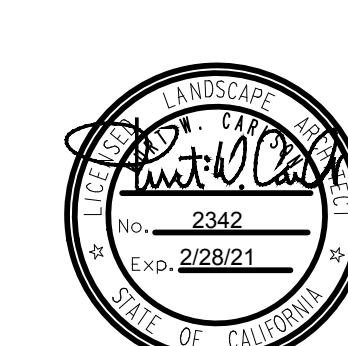
CONSTRUCTION CHANGE / ADDENDUM			
CHANGE	DATE	AFFECTED OR ADDED SHEET NUMBERS	APPROVAL NO.



CONSULTANT



3916 Normal Street
San Diego, CA 92103
619.294.4477
www.ktua.com



PLANS FOR THE CONSTRUCTION OF:

**NORTH PARK MINI PARK
CONSTRUCTION LEGEND**

CITY OF SAN DIEGO, CALIFORNIA
PUBLIC WORKS DEPARTMENT
SHEET 17 OF 72 SHEETS

APPROVED FOR CITY ENGINEER: *Julie Ballesteros*
DATE: 07-15-2019
PRINT NAME: JULIE BALLESTEROS
RCE# 48966

DESIGNED BY: YOVANNA LEWIS
PROJECT MANAGER

DESCRIPTION	BY	APPROVED	DATE	FILMED
ADDENDUM	KTUA	<i>Julie Ballesteros</i>	08/12/2019	

CONTRACTOR: _____ DATE STARTED: _____
INSPECTOR: _____ DATE COMPLETED: _____

WBS: S-10050
TYPE: _____
CONTROL CERTIFICATION: 210N, 1725E
LAMBERT COORDINATES: 40295-17-D

L-04

NORTH PARK MINI PARK

DG AND EDGING MATERIAL REMOVED.

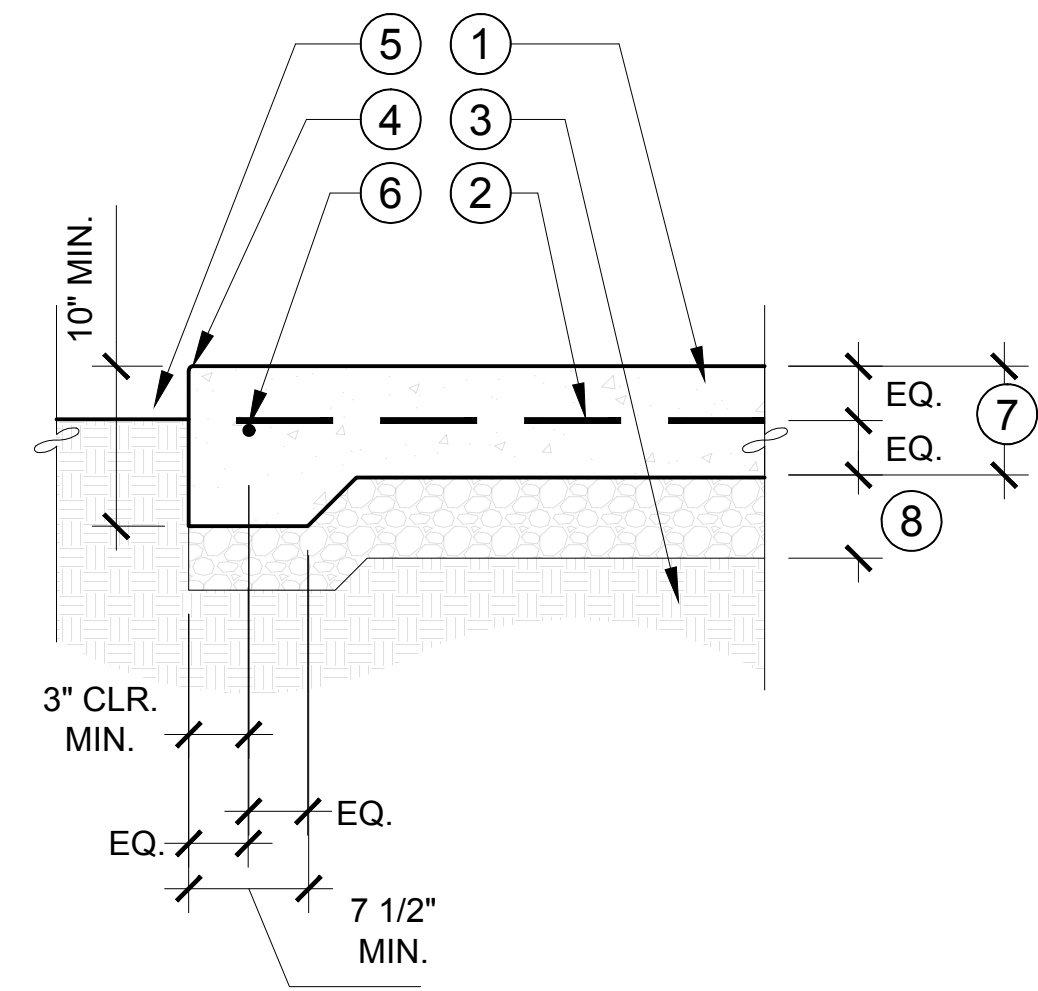
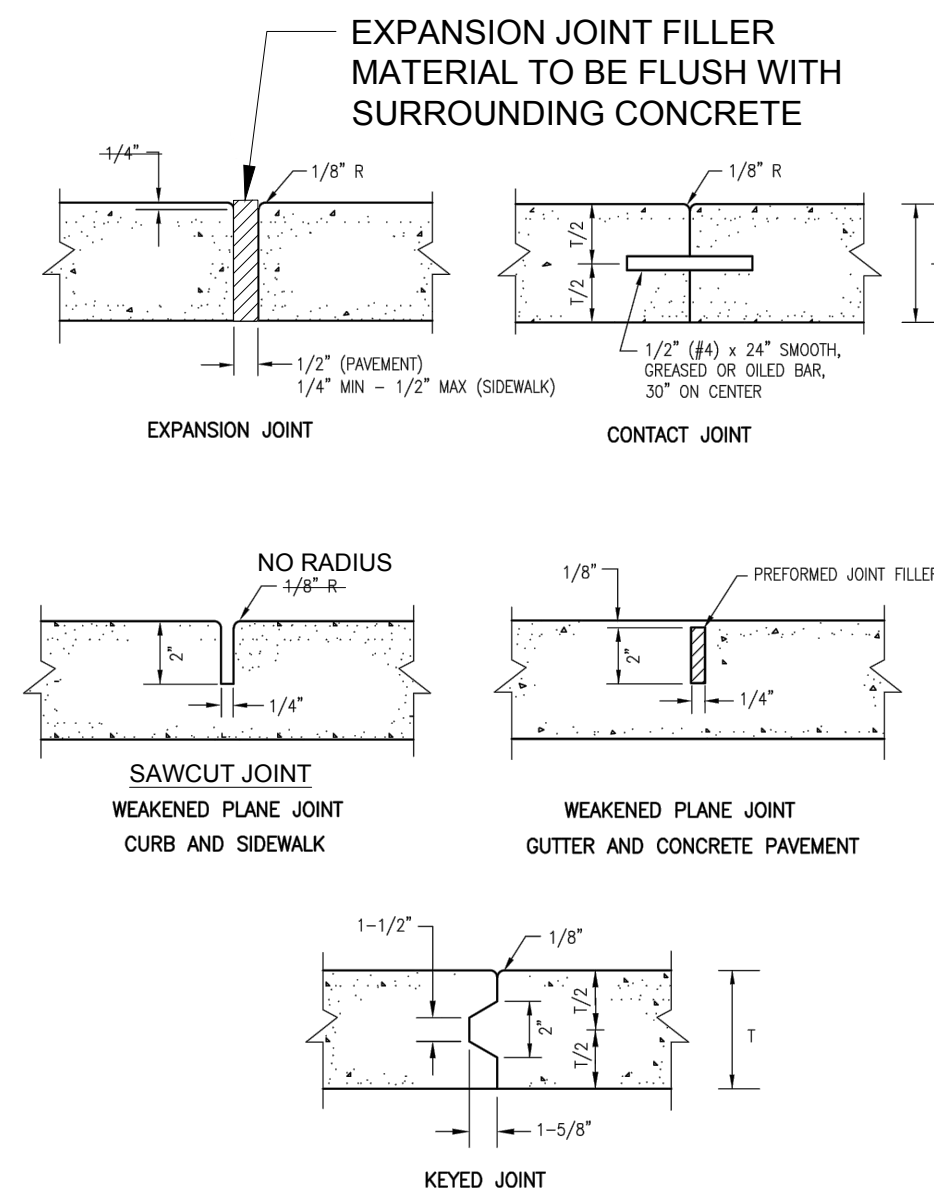
CONSTRUCTION LEGEND							
KEY	DETAIL	ITEM	DESCRIPTION	COLOR & FINISH	REMARKS & NOTES	SUPPLIER INFORMATION	
SITE FURNISHINGS							
SF-01	1 / L-10	DRINKING FOUNTAIN	HAWS, OR APPROVED EQUAL MODEL #3500D WITH PET BOWL PUSH BUTTON PER DETAIL	COLOR: BLACK FINISH: POWDERCOAT	SEE CIVIL ENG. UTILITY PLANS FOR WATER. INSTALL PER PLANS AND MANUFACTURER'S RECOMMENDATIONS. SEE DETAIL FOR MORE INFORMATION	HAWS OR APPROVED EQUAL PH: (888) 640-4297 E: KEVIN@HAWSCO.COM CONTACT: KEVIN CECARELLI	
SF-02	5 / L-08	TREE GRATE - SQUARE	84"X84" SQUARE STARBURST-1 IRONSMITH TREE GRATE WITH 28" TREE OPENING, OR APPROVED EQUAL MODEL #8402-1	MATERIAL: CAST IRON COLOR: STANDARD BLACK FINISH: POWDERCOAT	INSTALL PER PLANS AND MANUFACTURER'S RECOMMENDATIONS	IRONSMITH OR APPROVED EQUAL PH: (818) 761-0655 E: LARRY@CHAPARRAL-INC.COM CONTACT: LARRY CASEY	
SF-03	4 / L-08	TREE GRATE - ROUND	96" DIAMETER CIRCULAR STARBURST-1 IRONSMITH TREE GRATE WITH 28" TREE OPENING, OR APPROVED EQUAL MODEL #9601-1	MATERIAL: CAST IRON COLOR: STANDARD BLACK FINISH: POWDERCOAT	INSTALL PER PLANS AND MANUFACTURER'S RECOMMENDATIONS	IRONSMITH OR APPROVED EQUAL PH: (818) 761-0655 E: LARRY@CHAPARRAL-INC.COM CONTACT: LARRY CASEY	
SF-04	1 / L-09	LITTER RECEPTACLE - TRASH	DISPATCH FORMS+SURFCES RECEPTACLE WITH LITTER LID AND RECESSED ACCESS LIFT LATCH, OR APPROVED EQUAL MODEL #SLDIS-136	COLOR: DARK GREY METAL FINISH: POWDERCOAT	SURFACE MOUNT RECEPTACLE TO CONCRETE PER PLANS AND MANUFACTURER'S RECOMMENDATIONS.	FORMS+SURFACES OR APPROVED EQUAL PH: (619) 991-1838 E: KELLY.MCKEOWN@FORMS-SURFACES.COM CONTACT: KELLY MCKEOWN	
SF-05	1 / L-09	LITTER RECEPTACLE - RECYCLING	DISPATCH FORMS+SURFCES RECEPTACLE WITH BOTTLES & CANS LID AND RECESSED ACCESS LIFT LATCH, OR APPROVED EQUAL MODEL #SLDIS-136	COLOR: DARK GREY METAL FINISH: POWDERCOAT	SURFACE MOUNT RECEPTACLE TO CONCRETE PER PLANS AND MANUFACTURER'S RECOMMENDATIONS.	FORMS+SURFACES OR APPROVED EQUAL PH: (619) 991-1838 E: KELLY.MCKEOWN@FORMS-SURFACES.COM CONTACT: KELLY MCKEOWN	
SF-06	5 / L-09	BOLLARD - REMOVABLE	ID METALCO REMOVABLE QUICK BOLLARD, OR APPROVED EQUAL	MATERIAL: STAINLESS STEEL COLOR: IRON GREY FINISH: SABLE POWDERCOAT	INSTALL PER PLANS AND MANUFACTURER'S RECOMMENDATIONS.	ID METALCO OR APPROVED EQUAL PH: (760) 670-4976 E: NIKKI@IDMETALCO.COM CONTACT: NIKKI QUINONEZ	
SF-07	2 / L-10	BIKE RACK	RING BIKE RACK - EMBEDDED	COLOR: STORMCLOUD FINISH: POWDERCOAT	INSTALL BIKE RACK PER PLANS AND MANUFACTURER'S RECOMMENDATIONS	LANDSCAPE FORMS OR APPROVED EQUAL PH: (858) 560-1070 E: GORDON@GGRANTASSOCIATES.COM CONTACT: GORDON GRANT	
SF-08	3 / L-10	GAME TABLE	CUSTOM QCP GAME TABLE, OR APPROVED EQUAL	COLOR: VERTICAL SURFACE FINISH: SLATE GREY RUSTICATED HORIZONTAL SURFACE FINISH: HONED / POLISHED TOP	INSTALL PER PLANS AND MANUFACTURER'S RECOMMENDATIONS. FOOTING PER MANUFACTURER. ANTI-GRAFFITI COATING TO BE APPLIED. ALLOW FOR MINIMUM 12-16 WEEKS FOR MANUFACTURER CONSTRUCTION.	QCP-CORP. OR APPROVED EQUAL PH: (951) 737-6240X221 E: CCHAVEZ@QCP-CORP.COM CONTACT: CYNTHIA CHAVEZ	
SF-09	2 / L-09	RAISED PLANTER RING	SHEAR QCP PLANTER RING, OR APPROVED EQUAL MODEL #QR-SHR-PR	COLOR: VERTICAL SURFACE FINISH: SLATE GREY RUSTICATED HORIZONTAL SURFACE FINISH: HONED / POLISHED TOP	INSTALL PER PLANS AND MANUFACTURER'S RECOMMENDATIONS. ANTI-GRAFFITI COATING TO BE APPLIED.	QCP-CORP. OR APPROVED EQUAL PH: (951) 737-6240X221 E: CCHAVEZ@QCP-CORP.COM CONTACT: CYNTHIA CHAVEZ	
SF-10	3 / L-09	BENCH - BACKLESS	CUSTOM 4' SINGLE SHEAR BACKLESS QCP BENCH, OR APPROVED EQUAL. MODEL # Q2-SHR-48B-R SKATESTOPPER MODEL GM012SS FROM STAKESTOPPER.COM, OR APPROVED EQUAL	COLOR: VERTICAL SURFACE FINISH: SLATE GREY RUSTICATED HORIZONTAL SURFACE FINISH: HONED / POLISHED TOP SKATESTOPPER FINISH: STAINLESS STEEL	INSTALL PER PLANS AND MANUFACTURER'S RECOMMENDATIONS. ANTI-GRAFFITI COATING TO BE APPLIED. SKATESTOPPERS TO BE PURCHASED AND SENT TO BENCH MANUFACTURER FOR INSTALLATION BEFORE DELIVERY TO SITE.	QCP-CORP. OR APPROVED EQUAL PH: (951) 737-6240X221 E: CCHAVEZ@QCP-CORP.COM CONTACT: CYNTHIA CHAVEZ	
SF-11	-	PARKING SIGN	RELOCATE & PLACE PER L PLANS	POST COLOR: GALVANIZED STEEL POST FINISH: NATURAL	REFER TO NOTES ON DEMOLITION PLAN AND LOCATE PER L PLANS/NOTES. PROVIDE POSTS FOR THREE EXISTING PARKING SIGNS CURRENTLY STRAPPED TO PALM TREES AS NOTED IN DEMOLITION PLAN. FOOTING PER CITY OF SAN DIEGO STANDARD DRAWINGS. CONTRACTOR TO VERIFY SIGNS MEET CURRENT STANDARDS AT BEGINNING OF CONSTRUCTION.	-	
SF-12	-	TRAFFIC SIGN	RELOCATE & PLACE PER L PLANS	POST COLOR: GALVANIZED STEEL POST FINISH: NATURAL	REFER TO NOTES ON DEMOLITION PLAN AND LOCATE PER L PLANS/NOTES. ENSURE TRAFFIC SIGNS ARE CLEARLY VISIBLE FROM ROADWAY AND MEET ALL TRAFFIC AND SAFETY REGULATIONS. FOOTING PER CITY OF SAN DIEGO STANDARD DRAWINGS. CONTRACTOR TO VERIFY SIGNS MEET CURRENT STANDARDS.	-	
SF-13	1 & 3 / L-17	DEDICATION PLAQUE	CUSTOM DEDICATION PLAQUE AT DONOR PAVERS	MATERIAL: BRONZE FINISH: PEBBLED	SEE DETAIL FOR MORE INFORMATION	THE BRONZE PLAQUE OR APPROVED EQUAL PH: (434) 984-1946 E: DESIGNGROUP@THEBRONZEPLAQUE.COM	
SF-14	1 / L-19	INTERPRETIVE SIGN - 1	DURAFRAME WITH POSTS CUSTOM INTERPRETIVE SIGN AT BIOSWALE	COLOR: BLACK FINISH: POWDER COAT	SEE DETAIL FOR MORE INFORMATION	ENVIROSIGNS OR APPROVED EQUAL PH: (801) 942-5812 E: JOHN@INTERPRETIVEGRAPHICS.COM CONTACT: JOHN PETERS	
SF-15	1 / L-19	INTERPRETIVE SIGN - 2	DURAFRAME WITH POSTS CUSTOM INTERPRETIVE SIGN AT MUSICAL PLAY EQUIPMENT	COLOR: BLACK FINISH: POWDER COAT	SEE DETAIL FOR MORE INFORMATION	ENVIROSIGNS OR APPROVED EQUAL PH: (801) 942-5812 E: JOHN@INTERPRETIVEGRAPHICS.COM CONTACT: JOHN PETERS	

SF-17	4 / L-09	BENCH - WITH BACK	CUSTOM 4' SINGLE SHEAR QCP BENCH WITH BACK AND ARMRESTS, OR APPROVED EQUAL MODEL # Q2-SHR-48B-R SKATESTOPPER MODEL GM012SS FROM STAKESTOPPER.COM, OR APPROVED EQUAL	COLOR: VERTICAL SURFACE FINISH: SLATE GREY RUSTICATED HORIZONTAL SURFACE FINISH: HONED / POLISHED TOP SKATESTOPPER FINISH: STAINLESS STEEL	INSTALL PER PLANS AND MANUFACTURER'S RECOMMENDATIONS. ANTI-GRAFFITI COATING TO BE APPLIED. SKATESTOPPERS TO BE PURCHASED AND SENT TO BENCH MANUFACTURER FOR INSTALLATION BEFORE DELIVERY TO SITE.	QCP-CORP. OR APPROVED EQUAL PH: (951) 737-6240X221 E: CCHAVEZ@QCP-CORP.COM CONTACT: CYNTHIA CHAVEZ	L-05
-------	----------	-------------------	---	--	---	---	------

CONSTRUCTION CHANGE / ADDENDUM		SCALE: 1"= 10'				3916 Normal Street San Diego, CA 92103 619.294.4477 www.ktua.com		PLANS FOR THE CONSTRUCTION OF: NORTH PARK MINI PARK CONSTRUCTION LEGEND		CITY OF SAN DIEGO, CALIFORNIA PUBLIC WORKS DEPARTMENT SHEET 18 OF 72 SHEETS	WBS S-10050 TYPE
CHANGE	DATE	AFFECTED OR ADDED SHEET NUMBERS	APPROVAL NO.					APPROVED FOR CITY ENGINEER JULIE BALLESTEROS PRINT NAME	DATE 07-15-2019 DATE 48966 RCE#	QUARTERED BY YOVANNA LEWIS PROJECT MANAGER	PROJECT ENGINEER

STORAGE CONTAINERS REMOVED.

NORTH PARK MINI PARK

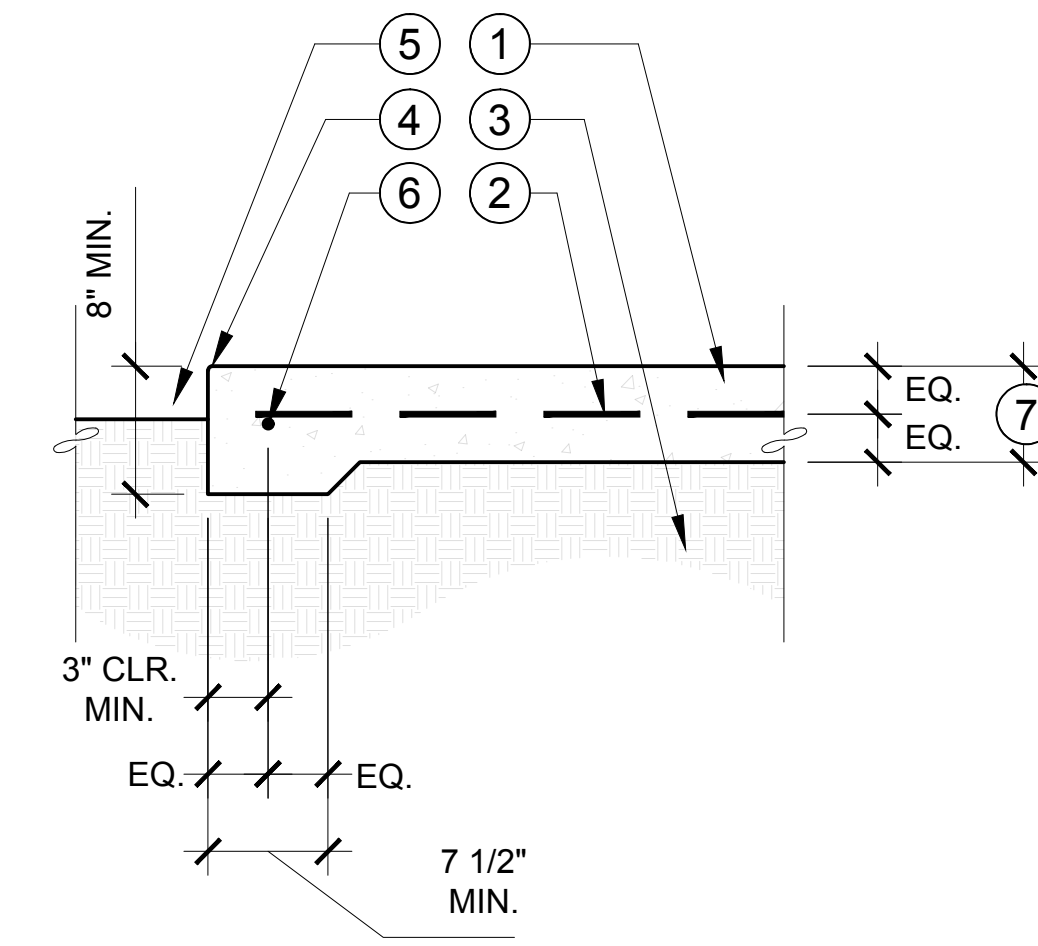


LEGEND:

- ① CONCRETE PAVING-FINISH PER PLAN
- ② SLAB REINFORCING PLACED AT SLAB CENTER: #4 AT 18" O.C.MIN. BOTH WAYS
- ③ SUBGRADE COMPACTED TO 90%, 12" DEPTH
- ④ 1/4" RADIUS, TYP.
- ⑤ 2" AT SHRUB AND GROUND COVER AREAS. FOR DECOMPOSED GRANITE SEE DETAIL '4', THIS SHEET.
- ⑥ #4 REBAR CONT. AT THICKENED EDGE
- ⑦ 7" MIN. CONCRETE PAVING THICKNESS
- ⑧ 6" AGGREGATE BASE THICKNESS

NOTE:

A. SLOPE PAVING PER CIVIL DRAWINGS



LEGEND:

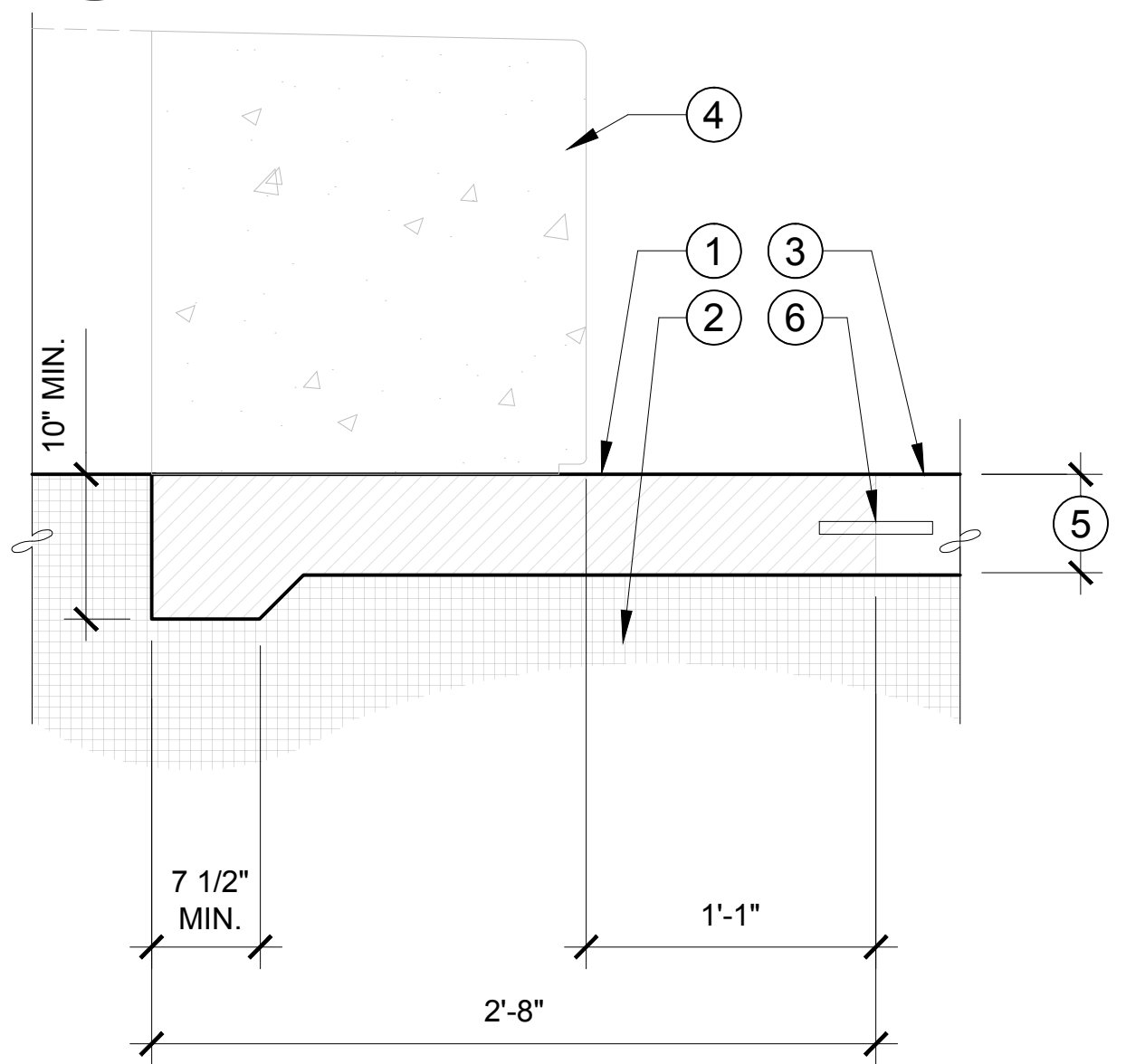
- ① CONCRETE PAVING-FINISH PER PLAN
- ② SLAB REINFORCING PLACED AT SLAB CENTER: #4 AT 32" O.C. MIN. BOTH WAYS
- ③ SUBGRADE COMPACTED TO 90%, 12" DEPTH
- ④ 1/4" RADIUS, TYP.
- ⑤ 2" AT SHRUB AND GROUND COVER AREAS. FOR DECOMPOSED GRANITE SEE DETAIL '4', THIS SHEET.
- ⑥ #4 REBAR CONT. AT THICKENED EDGE
- ⑦ 5" MIN. CONCRETE PAVING THICKNESS

NOTE:

A. SLOPE PAVING PER CIVIL DRAWINGS

1 CONSTRUCTION JOINTS SECTION

NOT TO SCALE



LEGEND:

- ① CONCRETE PAVING-FINISH PER PLAN
- ② C.U. STRUCTURAL SOIL PER SOILS PLAN, COMPACTED TO 95%
- ③ ADJACENT PAVING PER PLAN
- ④ TREE RING PER FURNITURE PLAN
- ⑤ 7" MIN. CONCRETE PAVING THICKNESS
- ⑥ CONTACT JOINT PER DETAIL '1', THIS SHEET

NOTE:

A. SLOPE PAVING PER CIVIL DRAWINGS

2 CONCRETE PAVING - VEHICULAR SECTION

NOT TO SCALE



3 CONCRETE PAVING - PEDESTRIAN SECTION

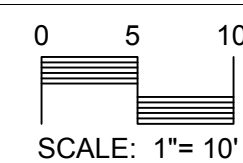
NOT TO SCALE



4 CONCRETE PAVING - POROUS SECTION

NOT TO SCALE

CONSTRUCTION CHANGE / ADDENDUM			
CHANGE	DATE	AFFECTED OR ADDED SHEET NUMBERS	APPROVAL NO.



CONSULTANT

3916 Normal Street
San Diego, CA 92103
619.294.4477
www.ktua.com



PLANS FOR THE CONSTRUCTION OF:

NORTH PARK MINI PARK CONSTRUCTION DETAILS

CITY OF SAN DIEGO, CALIFORNIA
PUBLIC WORKS DEPARTMENT
SHEET 20 OF 72 SHEETS

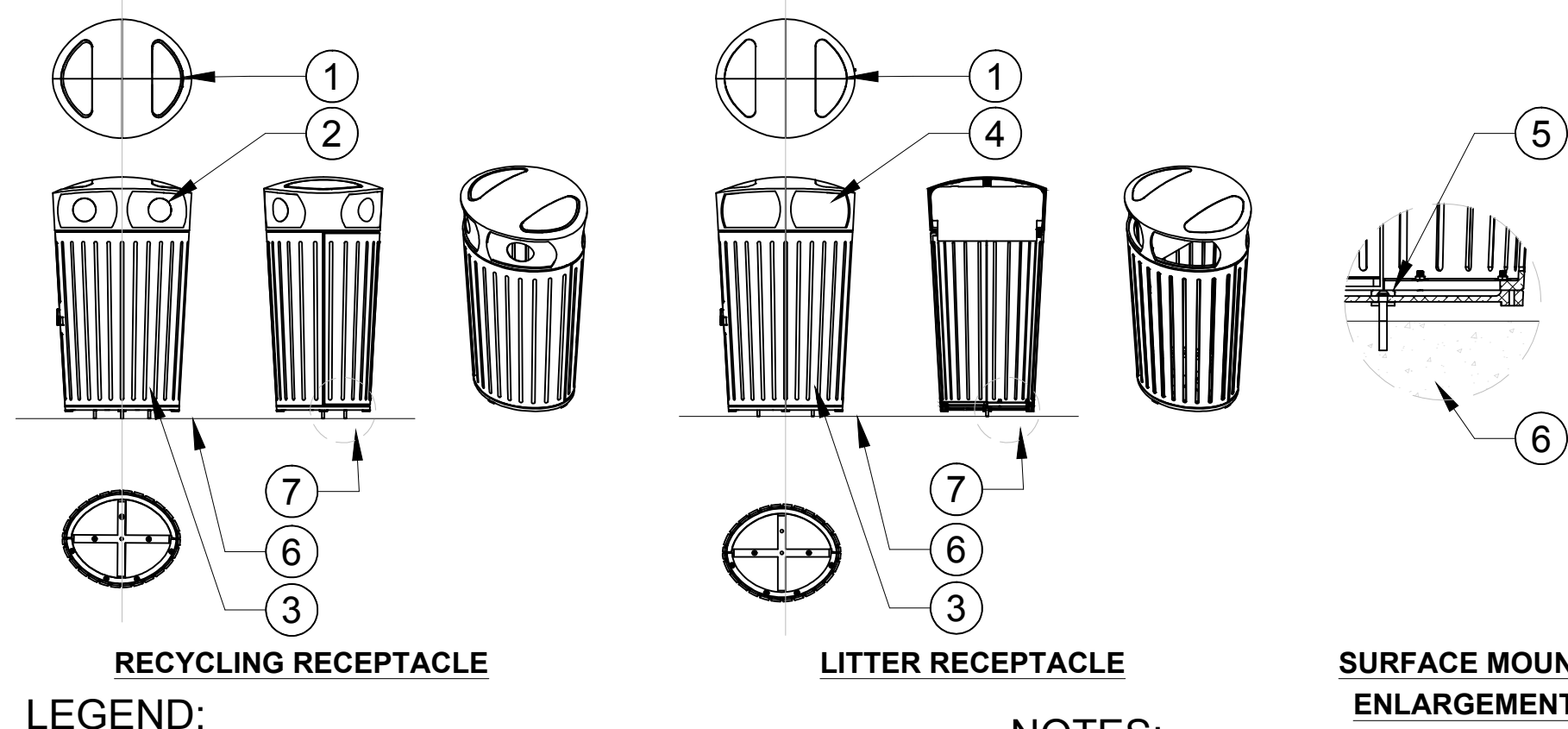
APPROVED FOR CITY ENGINEER: *Julie Ballesteros*
DATE: 07-15-2019
PRINT NAME: JULIE BALLESTEROS
FCE# 48966

DESIGNED BY: YOVANNA LEWIS
PROJECT MANAGER

CONTROL CERTIFICATION
210N, 1725E
LAMBERT COORDINATES
40295-20-D

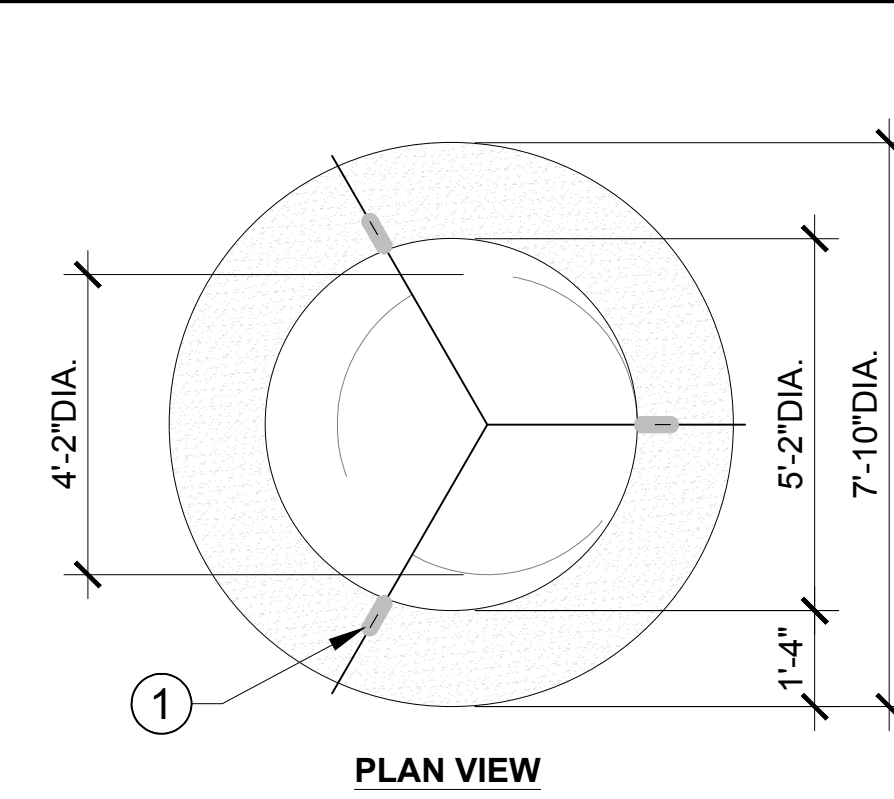
L-07

NORTH PARK MINI PARK

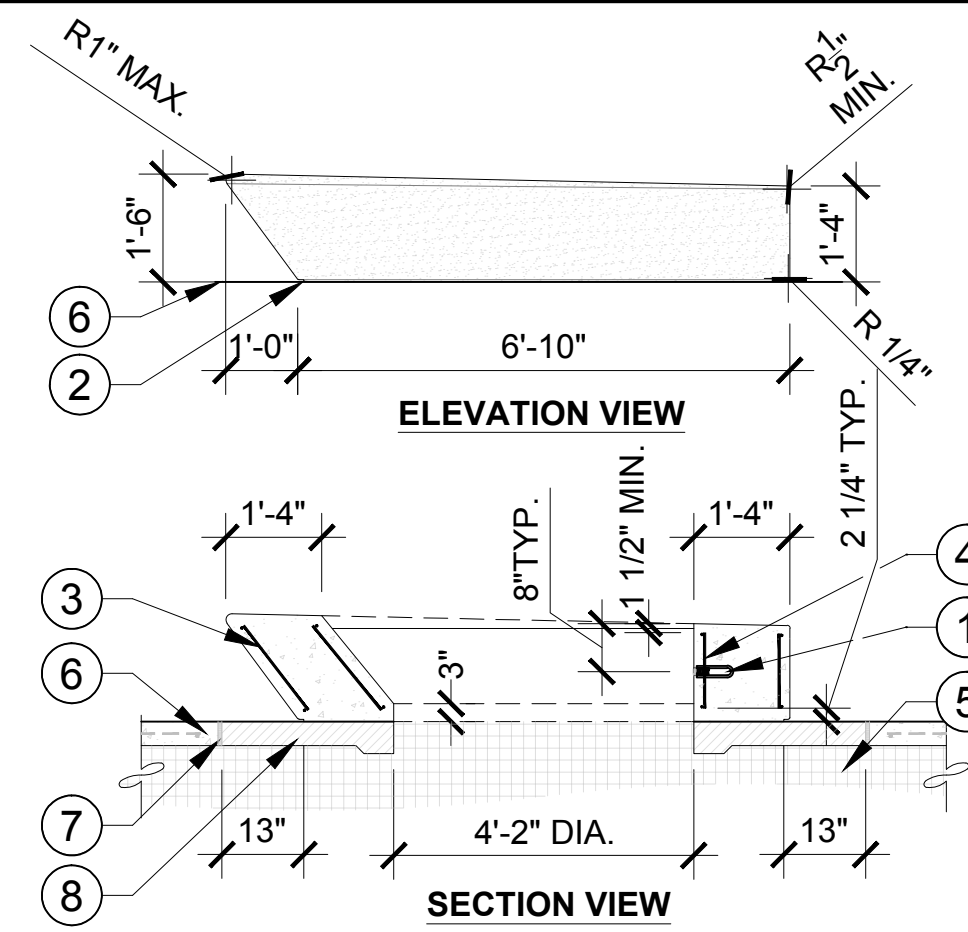


- LEGEND:**
- 1 RECEPTACLE LID
 - 2 BOTTLES & CANS RECYCLING STYLE LID WITH BOTTLES & CANS SIGNAGE
 - 3 RECEPTACLE BODY
 - 4 LITTER STYLE LID WITH LITTER SIGNAGE
 - 5 3/8"-16 X 1-1/2" ANCHOR PER MANUFACTURER
 - 6 CONCRETE PAVING, SEE SHEET L-01
 - 7 SEE SURFACE MOUNT ENLARGEMENT

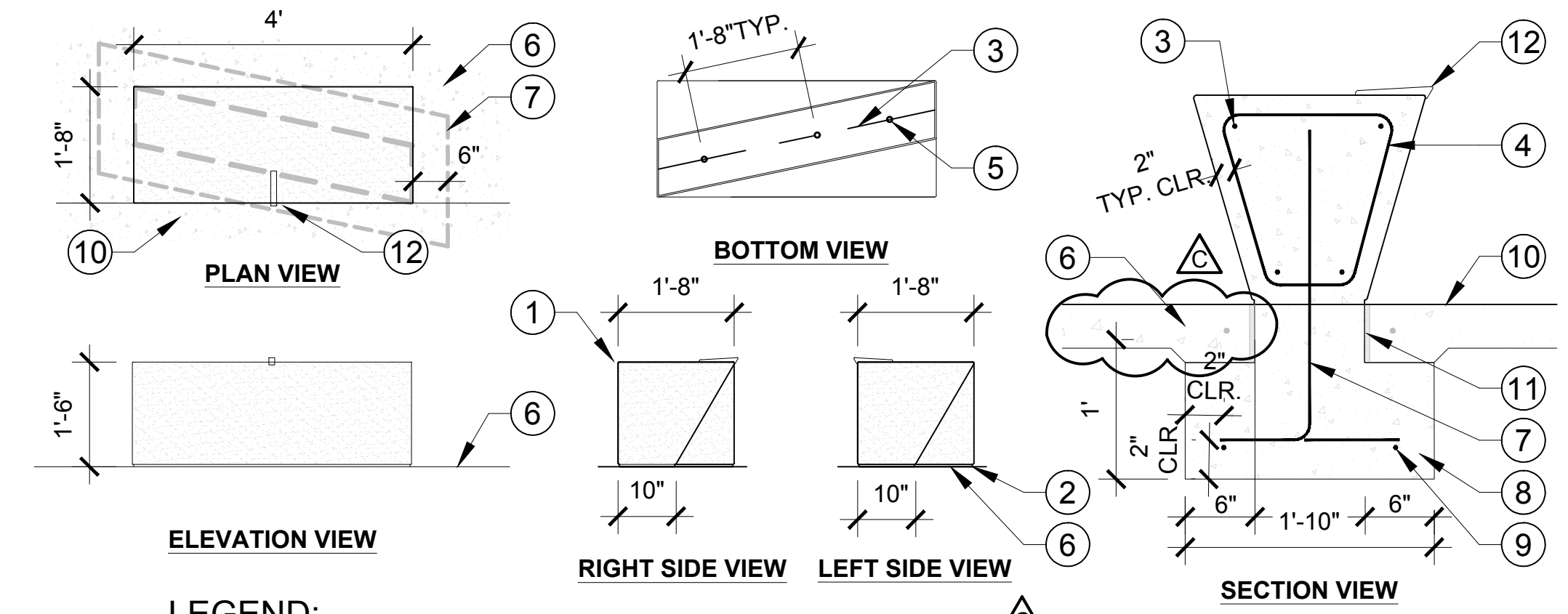
- NOTES:**
- A. ALL RECEPTACLES SHALL BE MOUNTED TO THE PAVING VIA MANUFACTURER'S SURFACE-MOUNT KIT. INSTALL PER MANUFACTURER'S RECOMMENDATIONS
 - B. SEE PLANS FOR LOCATION OF LITTER & RECYCLING RECEPTACLES



- LEGEND:**
- 1 (3) 3/4" DIA. x 6" L. COIL INSERTS (CX-2) W/ 1/2" SPACERS FOR LIFTING TO BE PATCHED IN FIELD BY OTHERS (SEE SECTION VIEW)
 - 2 3/8" TOEKICK
 - 3 #3 RADIAL REBAR
 - 4 #3 REBAR @ 12" O.C. MAX.
 - 5 CU-STRUCTURAL SOIL, SEE SHEET LS-01

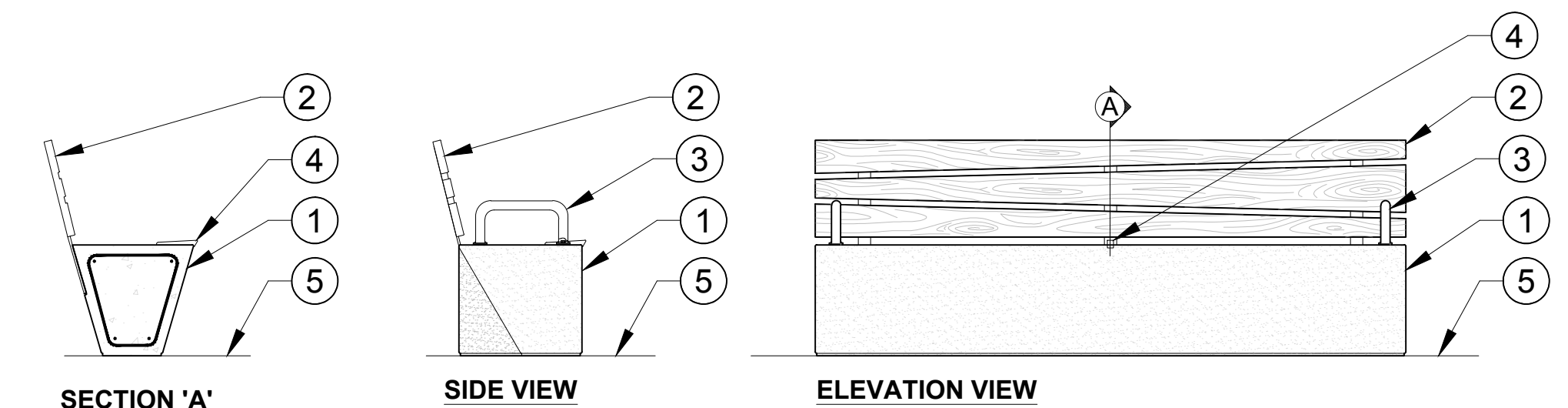


- LEGEND:**
- 6 CONCRETE PAVING, SEE SHEET L-01
 - 7 EXPANSION JOINT, SEE DETAIL 1, SHEET L-07
 - 8 POROUS CONCRETE, SEE DETAIL 4, SHEET L-07
- NOTE:**
- A. QR-SHR-PR "AGORA PLANTER RING" BY QCP CORP. OR APPROVED EQUAL.
 - B. INSTALL PER MANUFACTURER'S SPECIFICATIONS.



- LEGEND:**
- 1 EASED EDGE, 1/8" RADIUS
 - 2 3/8" HT. TOEKICK (TYP.)
 - 3 #3 CONTINUOUS REBAR
 - 4 #3 TIES @ 12" O.C. MAX.
 - 5 3/4" DIA. X 6" LENGTH COIL INSERTS PER MANUFACTURER
 - 6 SURROUNDING CONCRETE, SEE PLAN
 - 7 #3 TIE REBAR @ 12" O.C. MAX., ALTERNATE LOOP @ FOOTING
 - 8 CONCRETE FOOTING
 - 9 #3 FOOTING REBAR, CONTINUOUS
 - 10 CONCRETE PAVING, SEE DETAIL 3, SHEET L-07
 - 11 EXPANSION JOINT
 - 12 SKATE STOPPER INSTALLED IN FACTORY PER MANUFACTURER
- NOTE:**
- A. Q2-SHR-48B-R "AGORA BENCH" BY QCP CORP. OR APPROVED EQUAL.
 - B. INSTALL PER MANUFACTURER'S SPECIFICATIONS.
 - C. SKATESTOPPERS.COM GM012SS OR APPROVED EQUAL. SKATESTOPPER INSTALLED BY QCP CORP.

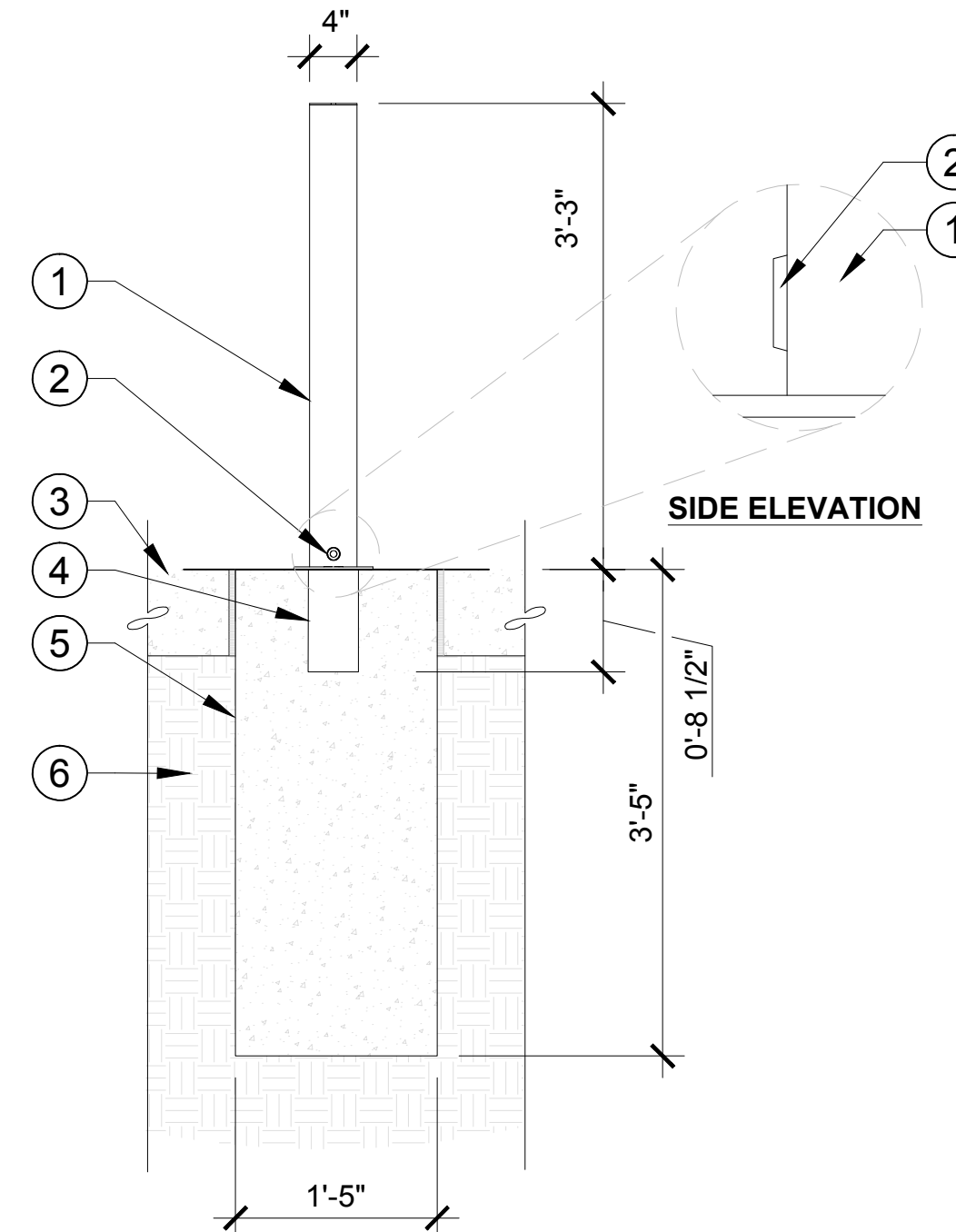
1 LITTER AND RECYCLING RECEPTACLES SECTION NOT TO SCALE



- LEGEND:**
- 1 BENCH. FINISH, MATERIALS, AND INSTALLATION PER DETAIL 3, THIS SHEET
 - 2 BACKREST - WOOD SLATS PER MANUFACTURER
 - 3 ARMREST - BLACK STEEL, A13 STYLE, PER MANUFACTURER
 - 4 SKATESTOPPER
 - 5 FINISH GRADE PER PLAN

- NOTE:**
- A. Q2-SHR-48B-R "AGORA BENCH" WITH BACKREST AND ARMRESTS BY QCP CORP. OR APPROVED EQUAL.
 - B. INSTALL PER MANUFACTURER'S SPECIFICATIONS.
 - C. SKATESTOPPERS.COM GM012SS OR APPROVED EQUAL. SKATESTOPPER INSTALLED BY QCP CORP.
 - D. ARMREST PLACEMENT PER MANUFACTURER

2 RAISED PLANTER RING SECTION NOT TO SCALE



- LEGEND:**
- 1 REMOVABLE BOLLARD PER MANUFACTURER
 - 2 LOCK
 - 3 CONCRETE PAVING, SEE SHEET L-01
 - 4 REMOVABLE BOLLARD SLEEVE AND FOUNDATION PER MANUFACTURER
 - 5 CONCRETE FOOTING
 - 6 SUBGRADE COMPACTED TO 90%, 12" DEPTH

- NOTE:**
- A. REMOVABLE BOLLARD BY ID METALICO OR APPROVED EQUAL.
 - B. INSTALL PER MANUFACTURER'S SPECIFICATIONS.
 - C. CAM LOCK TO BE KEYED TO MATCH CITY PARKS MASTER KEY

4 BENCH - WITH BACK SECTION NOT TO SCALE

5 REMOVABLE BOLLARD SECTION NOT TO SCALE

L-09

PLANS FOR THE CONSTRUCTION OF:

NORTH PARK MINI PARK CONSTRUCTION DETAILS

CITY OF SAN DIEGO, CALIFORNIA
PUBLIC WORKS DEPARTMENT
SHEET 22 OF 72 SHEETS

WBS S-10050
TYPE
DATE 07-15-2019
DATE 48966

APPROVED FOR CITY ENGINEER: *Julie Ballesteros*
PRINT NAME: JULIE BALLESTEROS
PROJECT MANAGER: YOVANNA LEWIS

DESCRIPTION	BY	APPROVED	DATE	FILMED
ADDENDUM	KTUA	<i>Julie Ballesteros</i>	08/22/2019	

CONTRACTOR: _____ DATE STARTED: _____
INSPECTOR: _____ DATE COMPLETED: _____

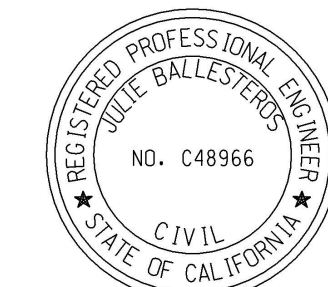
CONTROL CERTIFICATION
LAMBERT COORDINATES
40295-22-D

CONSTRUCTION CHANGE / ADDENDUM			
CHANGE	DATE	AFFECTED OR ADDED SHEET NUMBERS	APPROVAL NO.

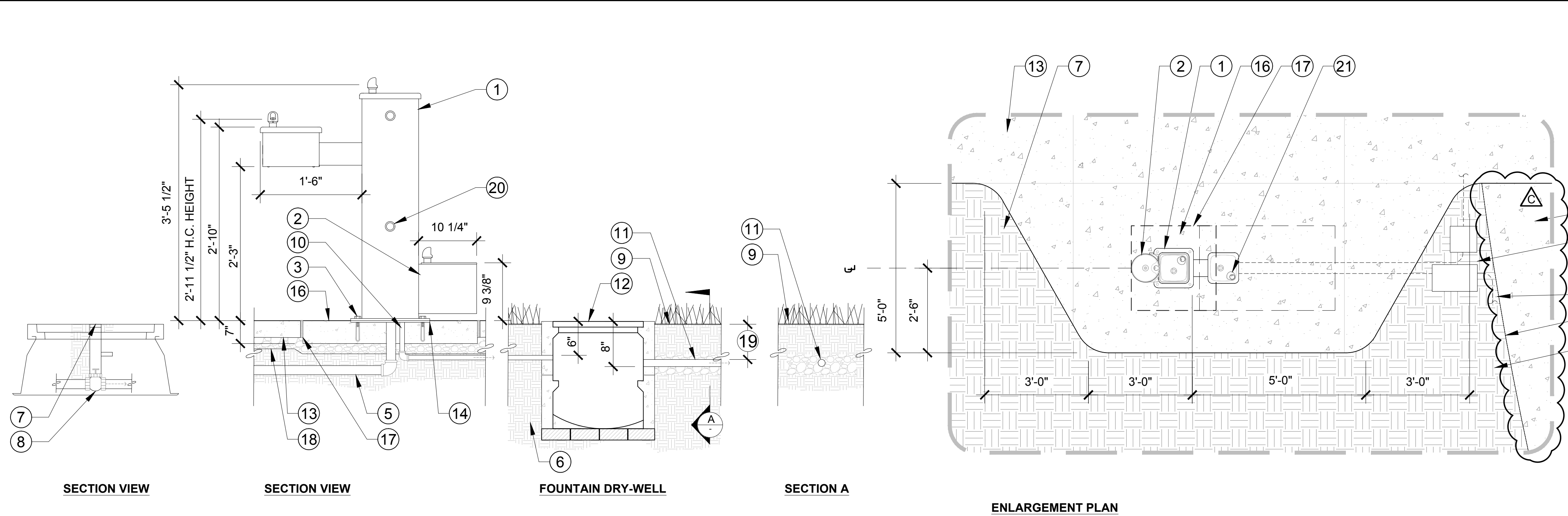


CONSULTANT

3916 Normal Street
San Diego, CA 92103
619.294.4477
www.ktua.com

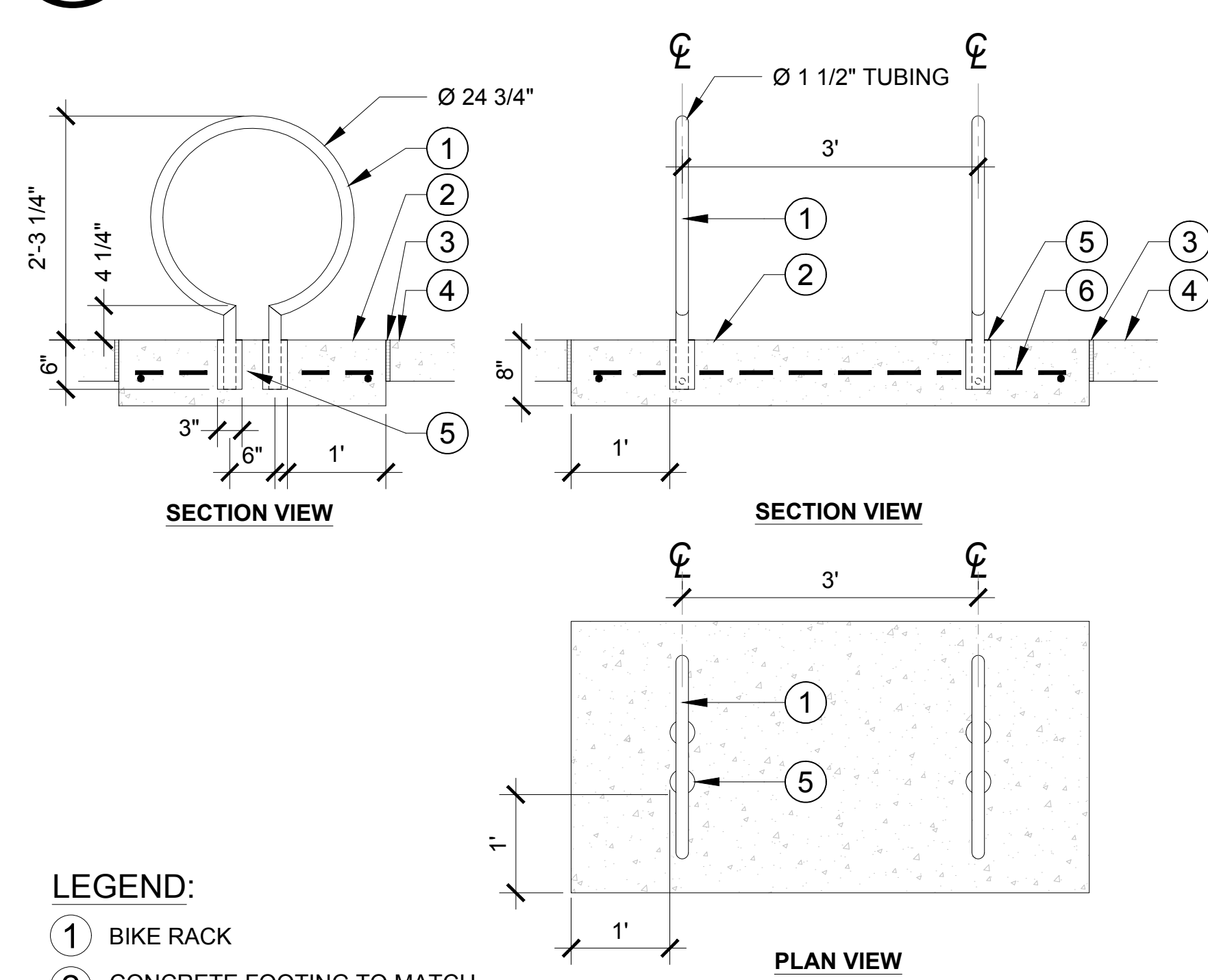


DETAIL REVISED. DG CHANGED TO CONCRETE.



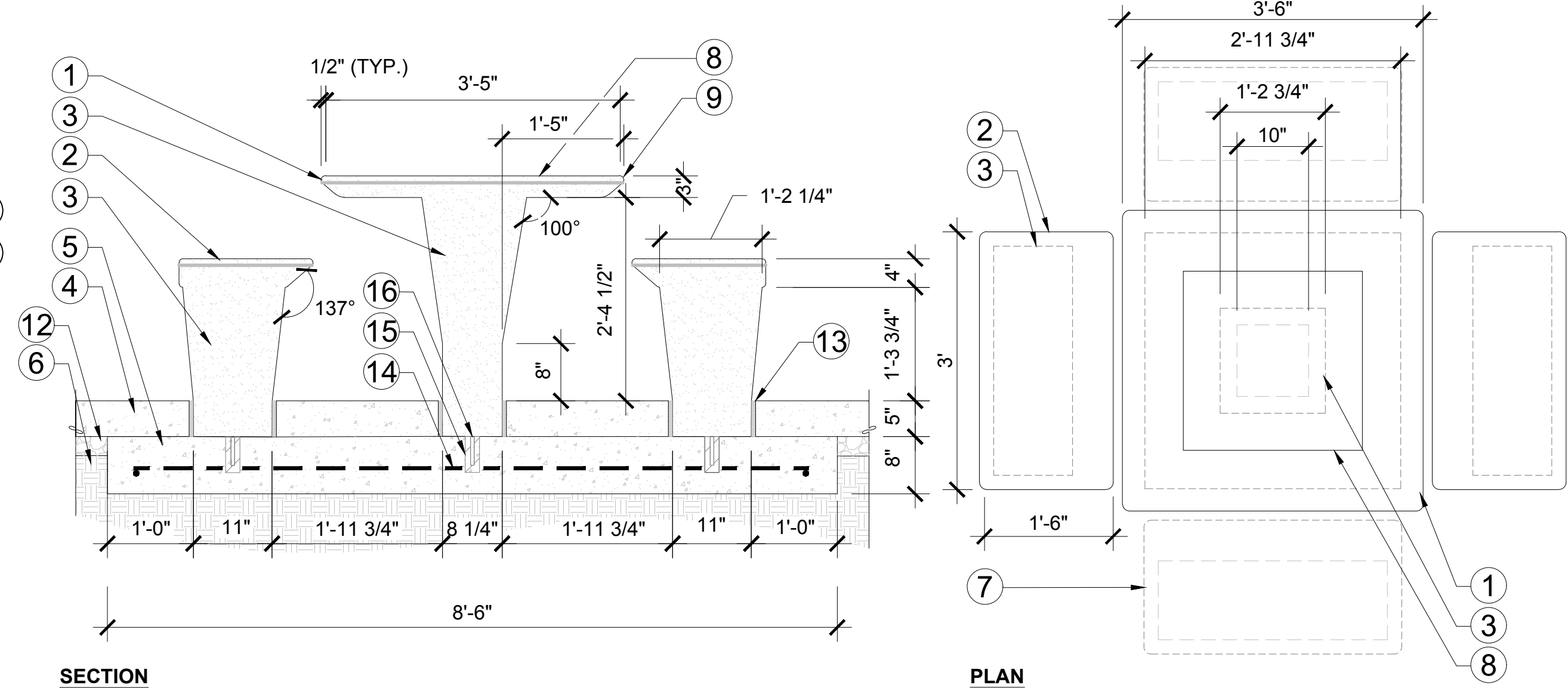
- LEGEND:**
- 1 DRINKING FOUNTAIN - SEE CONSTRUCTION LEGEND
 - 2 ATTACHED PET FOUNTAIN
 - 3 MOUNTING ANCHORS PER MANUFACTURER MODEL 3500 MOUNTING KIT OR APPROVED EQUAL
 - 4 CONCRETE, SEE PLAN
 - 5 RIGID COPPER PIPE FROM GATE VALVE TO FOUNTAIN ASSEMBLY CONNECTION
 - 6 90% MIN. COMPACTED SUBGRADE
 - 7 METER BOX PER SDW-135. LOCATE IN LANDSCAPE NOT HARDSCAPE.
 - 8 1" MANUAL CONTROL VALVE WITH RED BRASS CROSS HANDLE AND UNION. INSTALL AS PER SDRS DWG I-13.
 - 9 PLANTING AREA PER PLAN, SHEET LP-01
 - 10 1 1/4" P.V.C. PIPE WITH SWEEP 90° ELL CONNECTION TO FOUNTAIN DRAIN. SEE SHEET LI-01.
 - 11 4"X40 LIN FT. PERFORATED UNDER DRAIN PIPE, ENCASED IN CRUSHED ROCK (3/4" SIZE). PIPE TO BE A.D.S. OR EQUAL. SEE SHEET L-01
 - 12 STACKED TWO 9 1/2" X 16" CONCRETE YARD BOX WITH HINGED LOCKING TOP (BROOKS #3 HL OR APPROVED EQUAL) SET ON RED BRICK FOUNDATION.
 - 13 CONCRETE PAVING, SEE SHEET L-01
 - 14 MOUNTING PLATE PER MANUFACTURER MODEL 3500 MOUNTING KIT OR APPROVED EQUAL
 - 15 STEEL HEADER, SEE DETAIL 5, SHEET L-07
 - 16 30" SQUARE CONCRETE PAD TO MATCH ADJACENT CONCRETE, SEE SHEET L-01
 - 17 EXPANSION JOINT, SEE DETAIL 1, SHEET L-07
 - 18 AGGREGATE BASE, SEE DETAIL 1, SHEET L-07
 - 19 MAINTAIN MINIMUM 8" COVER OVER PERFORATED DRAIN PIPE
 - 20 PET FOUNTAIN BUTTON INSTALLED 15" MIN. ABOVE GRADE
 - 21 BUBBLER SET 2.41" BACK, AND ANGLED 15°, FROM FRONT EDGE OF BOWL
- NOTE:**
- A. INSTALL PER MANUFACTURER'S SPECIFICATIONS.
 - B. SPOUT SHALL PROVIDE FLOW OF WATER 4" HIGH MINIMUM
 - C. PUSH BUTTONS SHALL NOT EXCEED 5LBS FORCE TO OPERATE

1 DRINKING FOUNTAIN SECTION



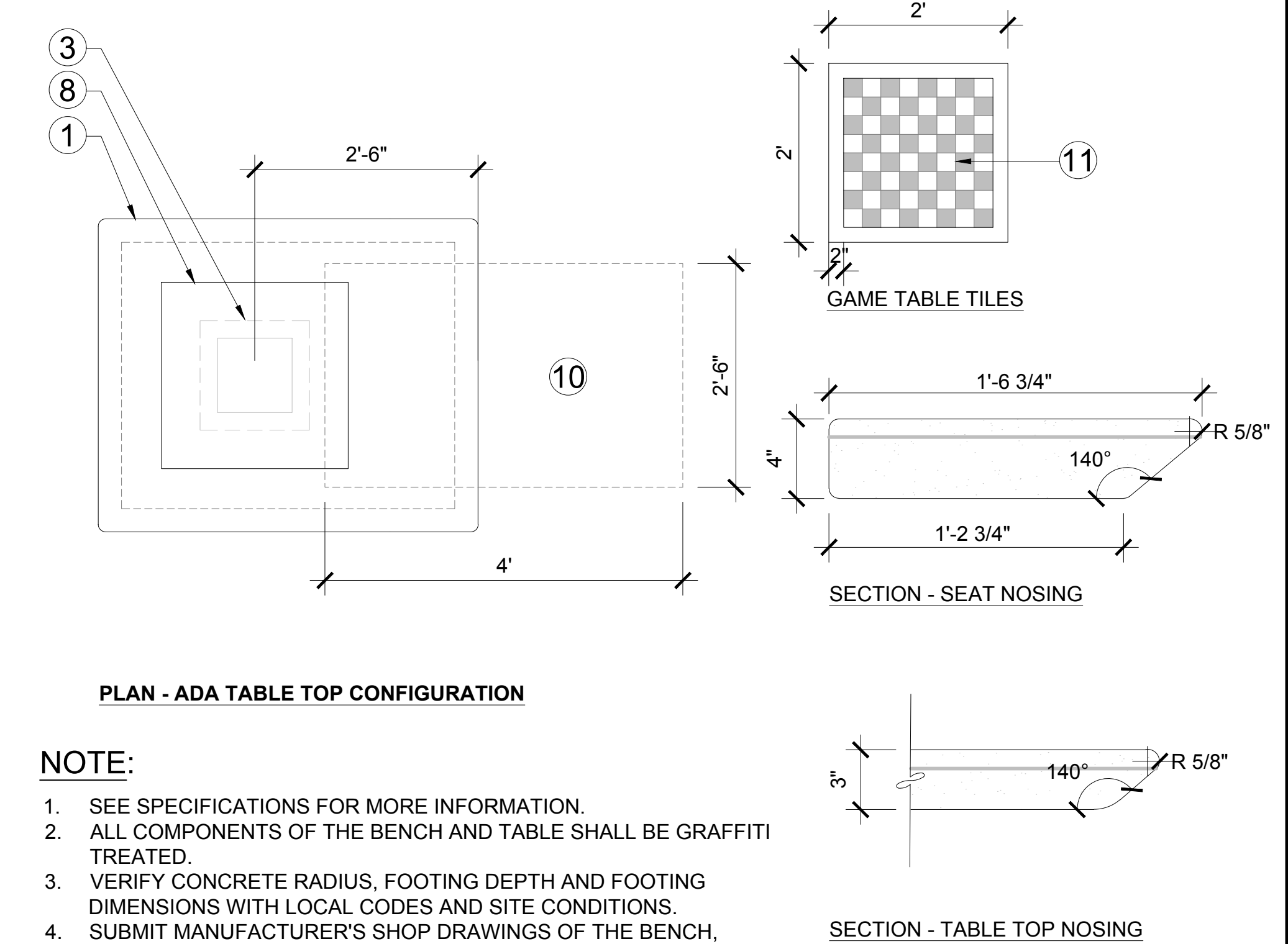
- LEGEND:**
- 1 BIKE RACK
 - 2 CONCRETE FOOTING TO MATCH ADJACENT CONCRETE COLOR AND FINISH
 - 3 EXPANSION JOINT
 - 4 CONCRETE PAVING, SEE SHEET L-01
 - 5 CONCRETE CORE DRILL HOLE, FILL WITH OUTDOOR ANCHORING CEMENT PER MANUFACTURER
 - 6 #4 REBAR, PLACED 15" O.C. EACH WAY
- NOTE:**
- A. "RING" BIKE RACK RG663-01 BY LANDSCAPE FORMS OR APPROVED EQUAL.
 - B. INSTALL PER MANUFACTURER'S SPECIFICATIONS.

2 BIKE RACK SECTION



- LEGEND:**
- 1 CUSTOM PRECAST CONCRETE TABLE TOP
 - 2 CUSTOM PRECAST CONCRETE BENCH TOP
 - 3 SEAT / TABLE LEG
 - 4 SURROUNDING CONCRETE - POUR AROUND BENCH LEGS - SEE SHEET L-01
 - 5 CONCRETE FOOTING
 - 6 90% MIN. COMPACTED SUBGRADE
 - 7 ADA COMPANION SEATING WHERE OCCURS PER PLAN - SEE L-02 SHEET FOR CONFIGURATION
 - 8 GAME TABLE - INSERT AND RECESS GAME TABLE TO BE FLUSH WITH TOP SURFACE OF THE TABLE
 - 9 ROUNDED NOSE OF SEAT / TABLE
 - 10 36" X 48" ADA SEATING AREA - SEE L-02 SHEET FOR APPLICABLE TABLES - CONTRACTOR TO MAKE SURE SPACE IS UNOBSTRUCTED
 - 11 BLACK AND WHITE PORCELAIN GAME TILES WITH GLOSS FINISH AND GRAFFITI COATING
 - 12 AGGREGATE BASE, SEE DETAIL 1, SHEET L-07
 - 13 EXPANSION JOINT, SEE DETAIL 1, SHEET L-07
 - 14 #4 REBAR 12" O.C. EACH BOTH WAYS
 - 15 2" DIAMETER X 5" DEEP GROUT POCKET FILLED WITH NON-SHRINK GROUT
 - 16 1/2" DIAMETER X 4" LONG BOLT PER MANUFACTURER

3 GAME TABLES & BENCHES SECTION



- NOTE:**
- 1. SEE SPECIFICATIONS FOR MORE INFORMATION.
 - 2. ALL COMPONENTS OF THE BENCH AND TABLE SHALL BE GRAFFITI TREATED.
 - 3. VERIFY CONCRETE RADIUS, FOOTING DEPTH AND FOOTING DIMENSIONS WITH LOCAL CODES AND SITE CONDITIONS.
 - 4. SUBMIT MANUFACTURER'S SHOP DRAWINGS OF THE BENCH, PROPOSED WELDING PROCESS, FOOTINGS, ANCHORS, BOLTS AND ALL COMPONENTS OF BENCH TO LANDSCAPE ARCHITECT AND CITY REPRESENTATIVE FOR REVIEW AND APPROVAL PRIOR TO FABRICATION AND INSTALLATION.
 - 5. TABLE AND BENCHES TO CONFORM TO ADA ACCESSIBILITY REQUIREMENTS FOR TOE AND KNEE CLEARANCES

CONSTRUCTION CHANGE / ADDENDUM			
CHANGE	DATE	AFFECTED OR ADDED SHEET NUMBERS	APPROVAL NO.



CONSULTANT

3916 Normal Street
San Diego, CA 92103
619.294.4477
www.ktua.com

SPEC NUMBER
1864

PLANS FOR THE CONSTRUCTION OF:

NORTH PARK MINI PARK CONSTRUCTION DETAILS

CITY OF SAN DIEGO, CALIFORNIA
PUBLIC WORKS DEPARTMENT
SHEET 23 OF 72 SHEETS

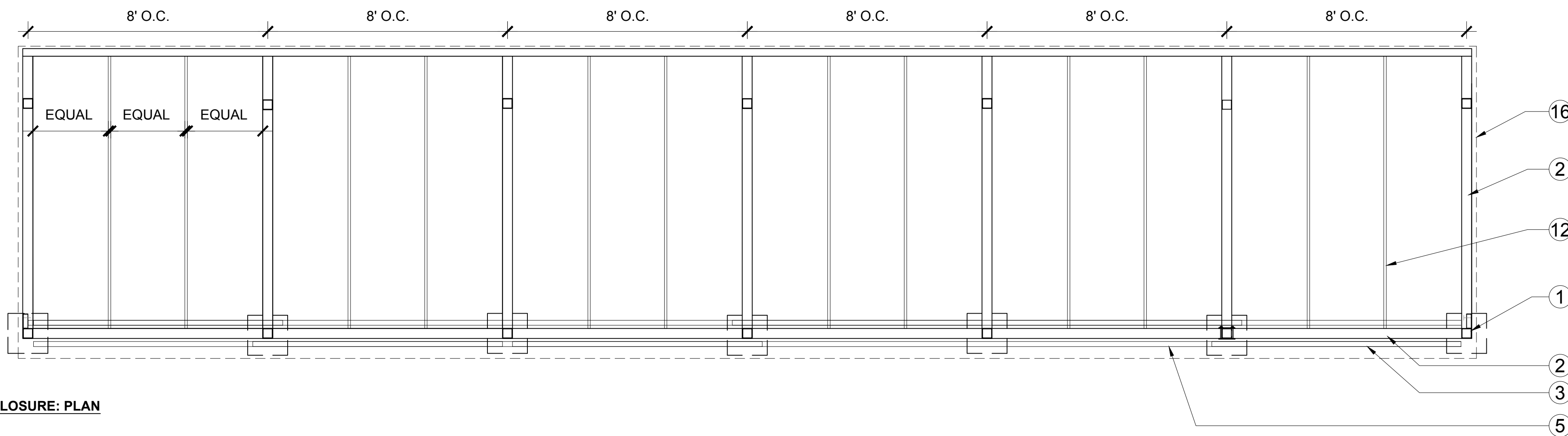
WBS S-10050
TYPE
DATE 07-15-2019
DATE 48966
PROJECT MANAGER YOVANNA LEWIS

FOR CITY ENGINEER
JULIE BALLESTEROS
PRINT NAME
RICE

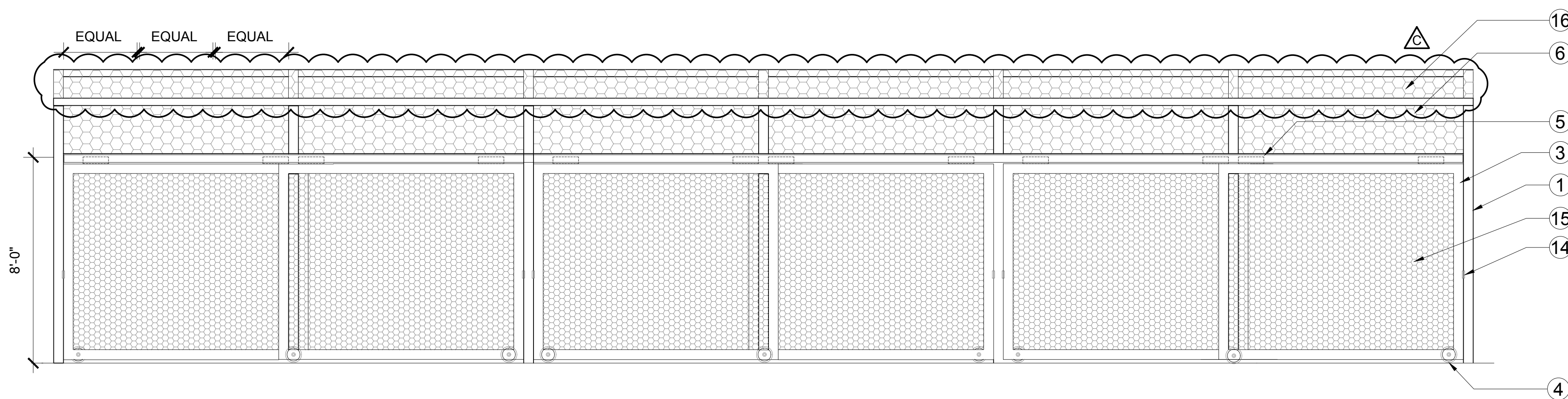
DESCRIPTION BY APPROVED DATE FILMED PROJECT ENGINEER
ADDENDUM KTUA [Signature] 08/12/2019

CONTROL CERTIFICATION
210N, 1725E
LAMBERT COORDINATES
40295-23-D

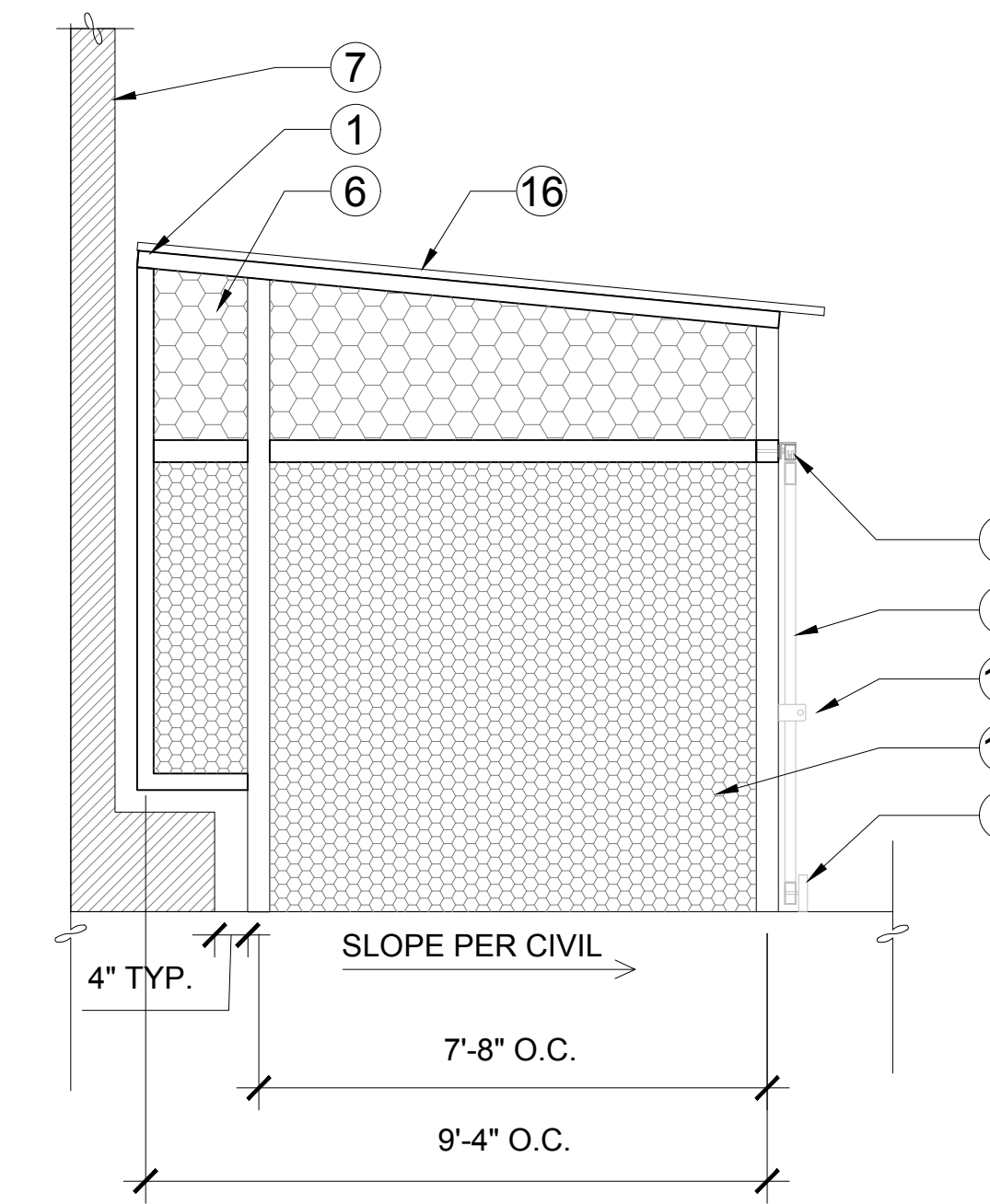
NORTH PARK MINI PARK



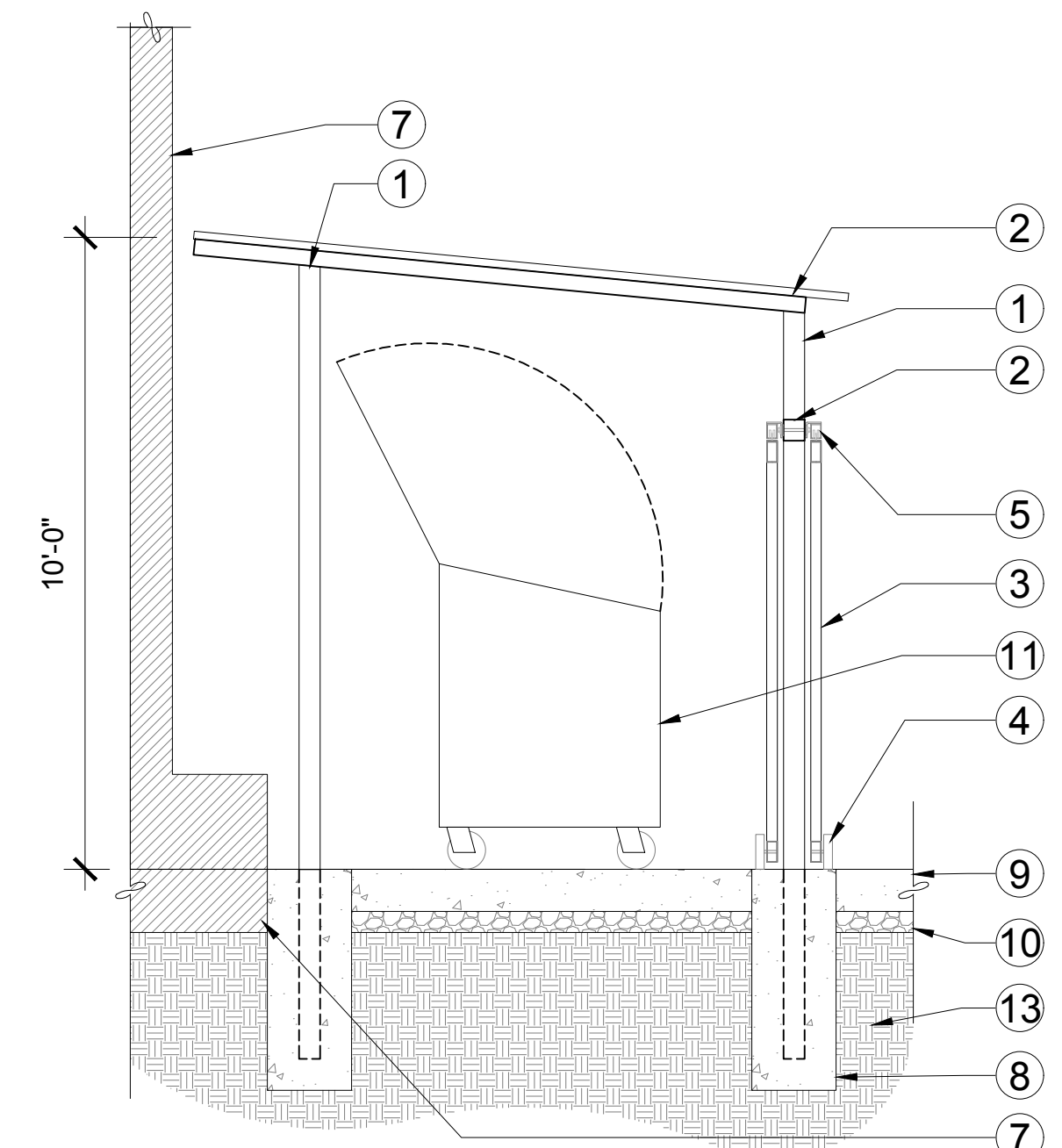
ENCLOSURE: PLAN



ENCLOSURE: FRONT ELEVATION



ENCLOSURE: SIDE ELEVATION



ENCLOSURE: SECTION

LEGEND

- ① HSS 6X6X3/16" COLUMN
- ② HSS 6X6X3/16 BEAM
- ③ CANTILEVER ROLLER GATE
- ④ ROLLER GATE WHEEL ASSEMBLY
- ⑤ CANTILEVER TRACK, GATES HUNG BY CANTILEVER GATE TROLLEYS
- ⑥ MCNICHOLS STEEL PERFORATED METAL PANEL OR APPROVED EQUAL. 3/16" GAUGE, 3/4" PERFORATION AT 1" STAGGERED CENTER SPACING
- ⑦ EXISTING WALL AND FOOTING TO PROTECT IN PLACE
- ⑧ STRUCTURAL FOOTING PER STRUCTURAL ENGINEER
- ⑨ CONCRETE PAVING, SEE SHEET L-01
- ⑩ AGGREGATE BASE, SEE DETAIL 2, SHEET L-07
- ⑪ DUMPSTER
- ⑫ HSS 4X4X3/16 PURLIN
- ⑬ 90% MIN. COMPACTED SUBGRADE
- ⑭ STAINLESS STEEL PLATE WELDED TO FRAME WITH 1" DIAMETER HOLE FOR PADLOCK ATTACHMENT
- ⑮ MCNICHOLS, OR APPROVED EQUAL, 3/16" GAUGE, 1/2" PERFORATED STEEL AT 11/16" STAGGERED CENTER SPACING
- ⑯ MCNICHOLS STEEL PERFORATED METAL ROOF PANEL OR APPROVED EQUAL. 3/16" GAUGE, 3/4" PERFORATION AT 1" STAGGERED CENTER SPACING. PANELS ATTACHED ON TOP OF STRUCTURE WITH NO EXPOSED CUT EDGE ON ACCESSIBLE SIDES. PANEL PATTERN TO MAINTAIN MIN. 50% OPEN AREA.

NOTES:

1. SEE SPECIFICATION FOR MORE INFORMATION.
2. ALL COMPONENTS OF THE ENCLOSURE SHALL BE GRAFFITI TREATED.
3. VERIFY ENCLOSURE HEIGHT, FOOTING DEPTH AND FOOTING DIMENSIONS WITH LOCAL CODES AND SITE CONDITIONS.
4. SUBMIT SHOP DRAWINGS OF THE ENCLOSURE, PROPOSED FABRICATION, CONNECTIONS, WELDS, FOOTINGS, CANTILEVER TRACK ASSEMBLIES AND ATTACHMENTS, WHEEL ASSEMBLIES, AND ALL COMPONENTS OF ENCLOSURE TO LANDSCAPE ARCHITECT AND CITY REPRESENTATIVE FOR REVIEW AND APPROVAL PRIOR TO FABRICATION AND INSTALLATION.
5. ALL STEEL FRAMING AND PERFORATED PANELS TO BE GALVANIZED AND RECEIVE AN EPOXY COATING FINISH.

1 TRASH ENCLOSURE
PLAN/SECTION/ELEVATION

NOT TO SCALE

L-11

PLANS FOR THE CONSTRUCTION OF:
**NORTH PARK MINI PARK
CONSTRUCTION DETAILS**



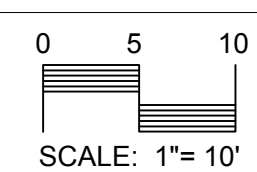
CITY OF SAN DIEGO, CALIFORNIA PUBLIC WORKS DEPARTMENT SHEET 24 OF 72 SHEETS		WBS TYPE S-10050
APPROVED FOR CITY ENGINEER JULIE BALLESTEROS PRINT NAME	DATE 07-15-2019 48966 RICE	DESIGNED BY YOVANNA LEWIS PROJECT MANAGER
DESCRIPTION	BY	APPROVED
ADDENDUM	KTUA	DATE
		FILED
CONTRACTOR		CONTROL CERTIFICATION
INSPECTOR		210N, 1725E LAMBERT COORDINATES
DATE STARTED		40295-24-D
DATE COMPLETED		

CONSULTANT

3916 Normal Street
San Diego, CA 92103
619.294.4477
www.ktua.com

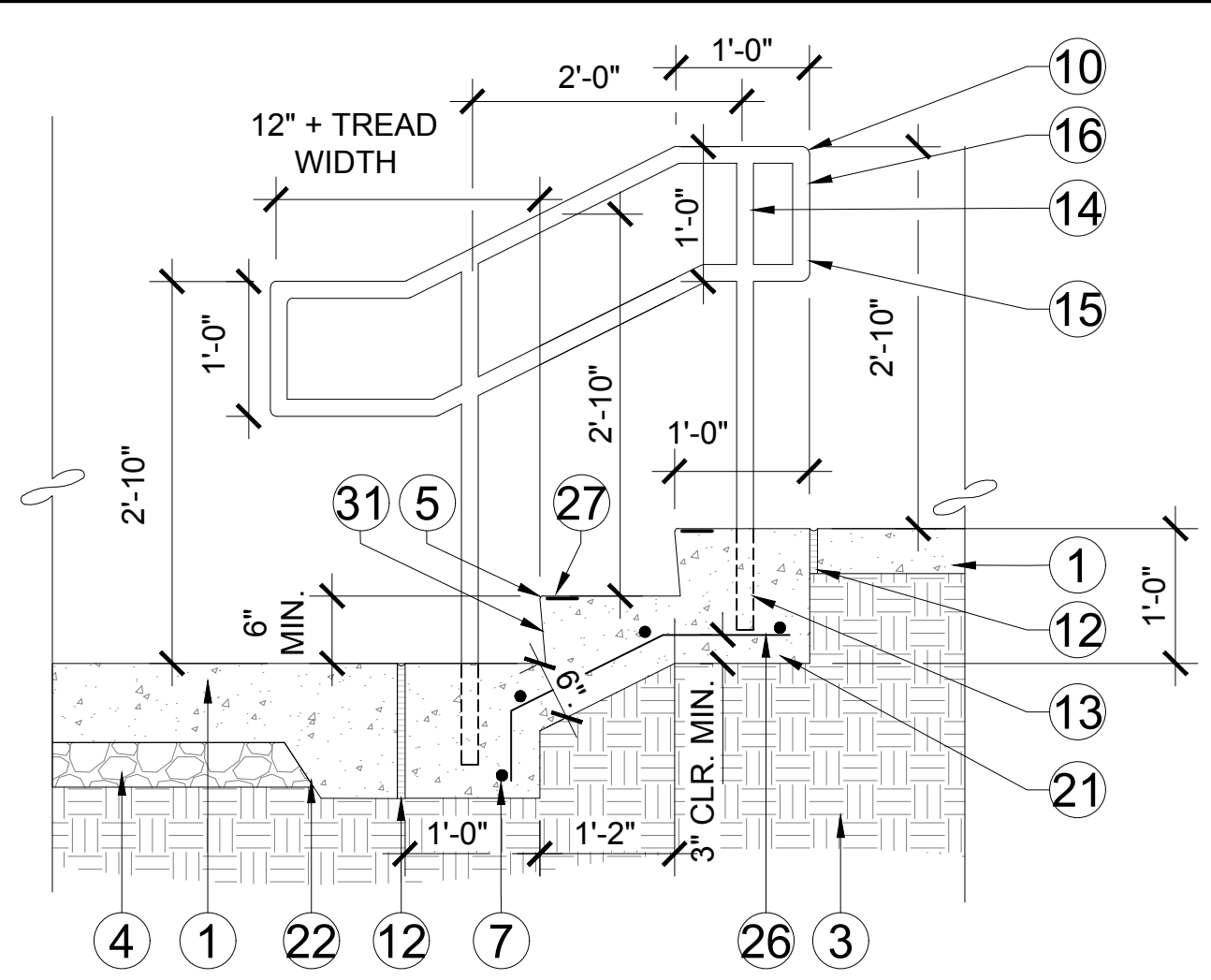
The City of
SAN DIEGO Parks and Recreation

CONSTRUCTION CHANGE / ADDENDUM			
CHANGE	DATE	AFFECTED OR ADDED SHEET NUMBERS	APPROVAL NO.

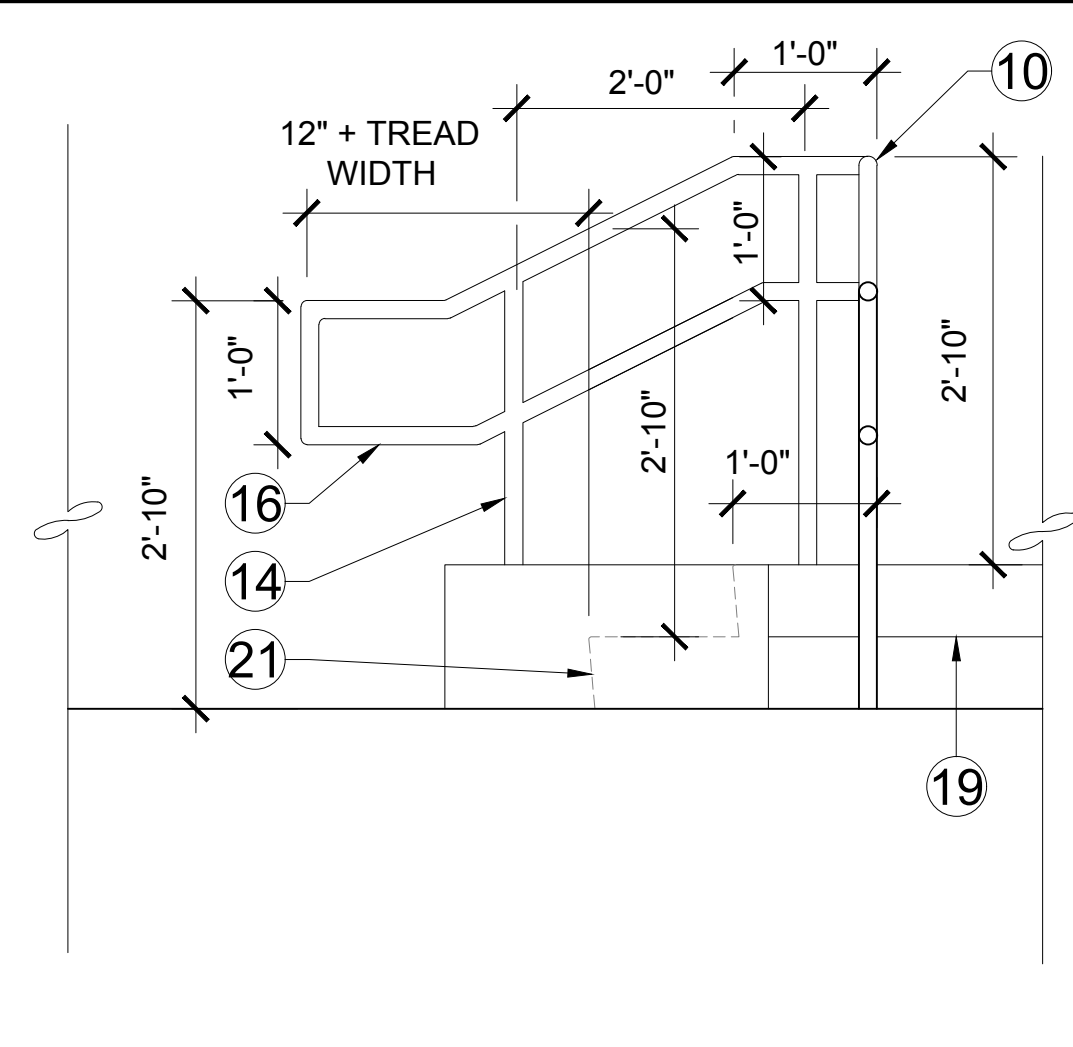


DETAIL REVISED. ROOF CHANGED TO PERFORATED.

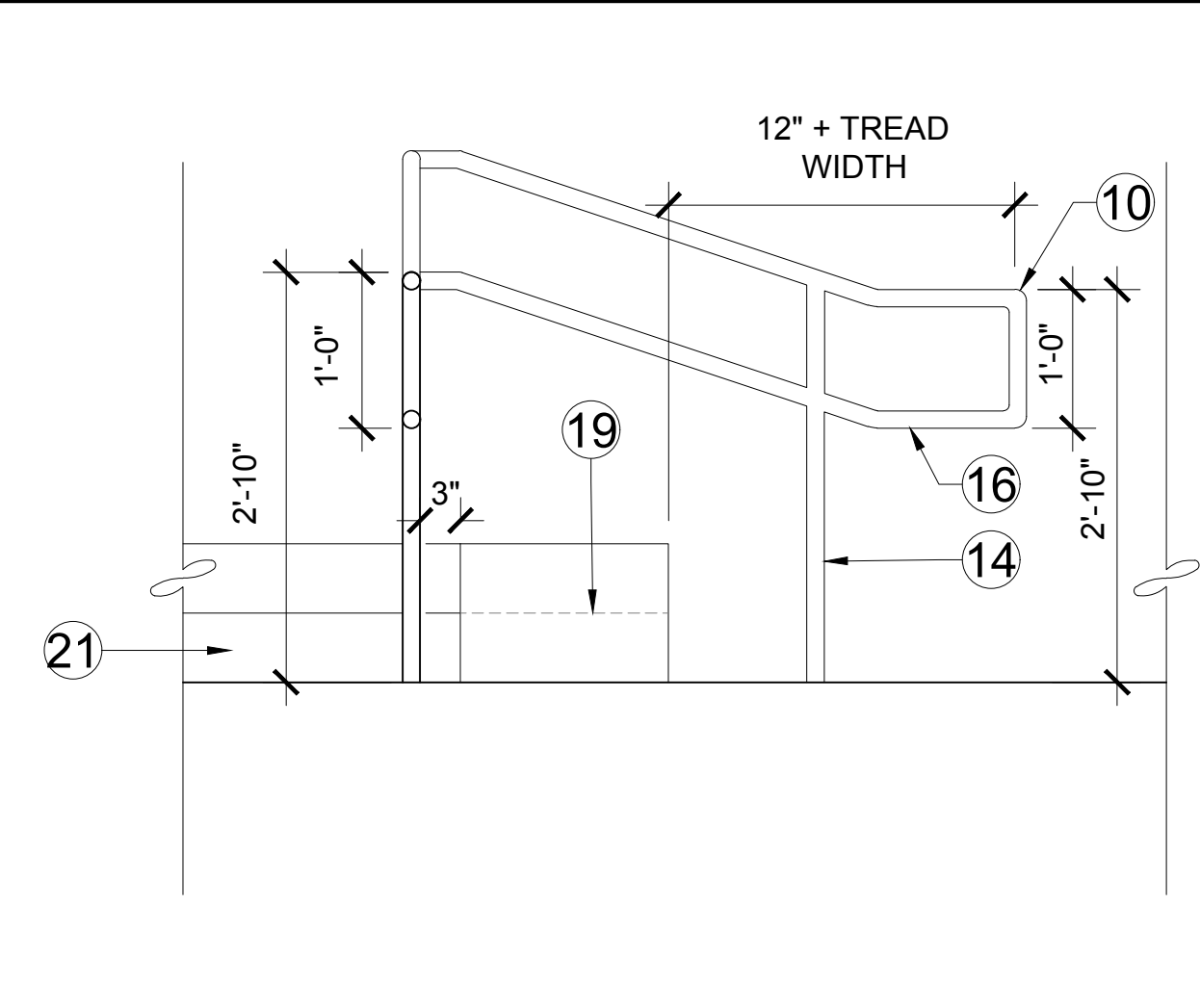
NORTH PARK MINI PARK



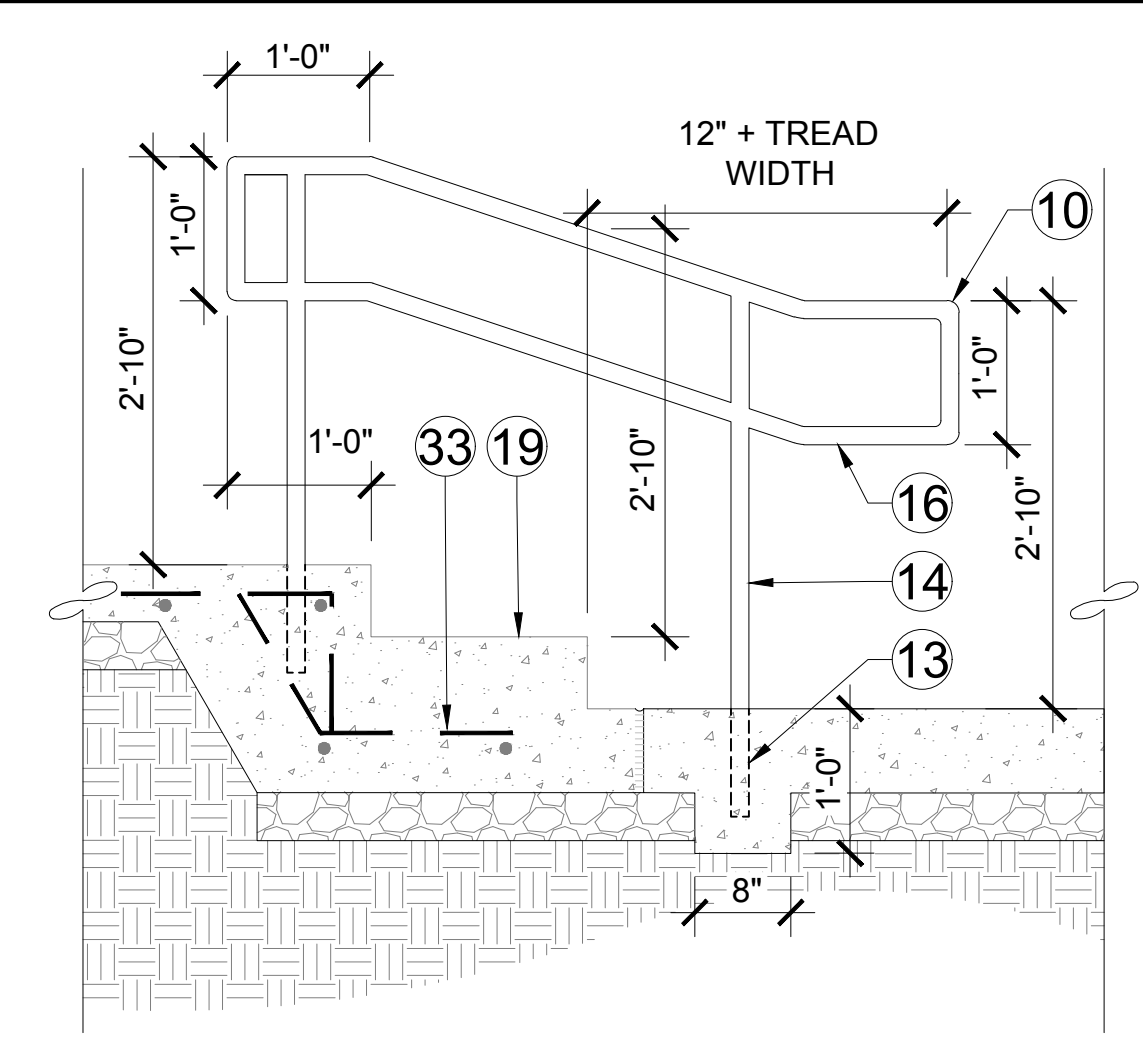
SECTION 'A' - STAIR RAIL EAST



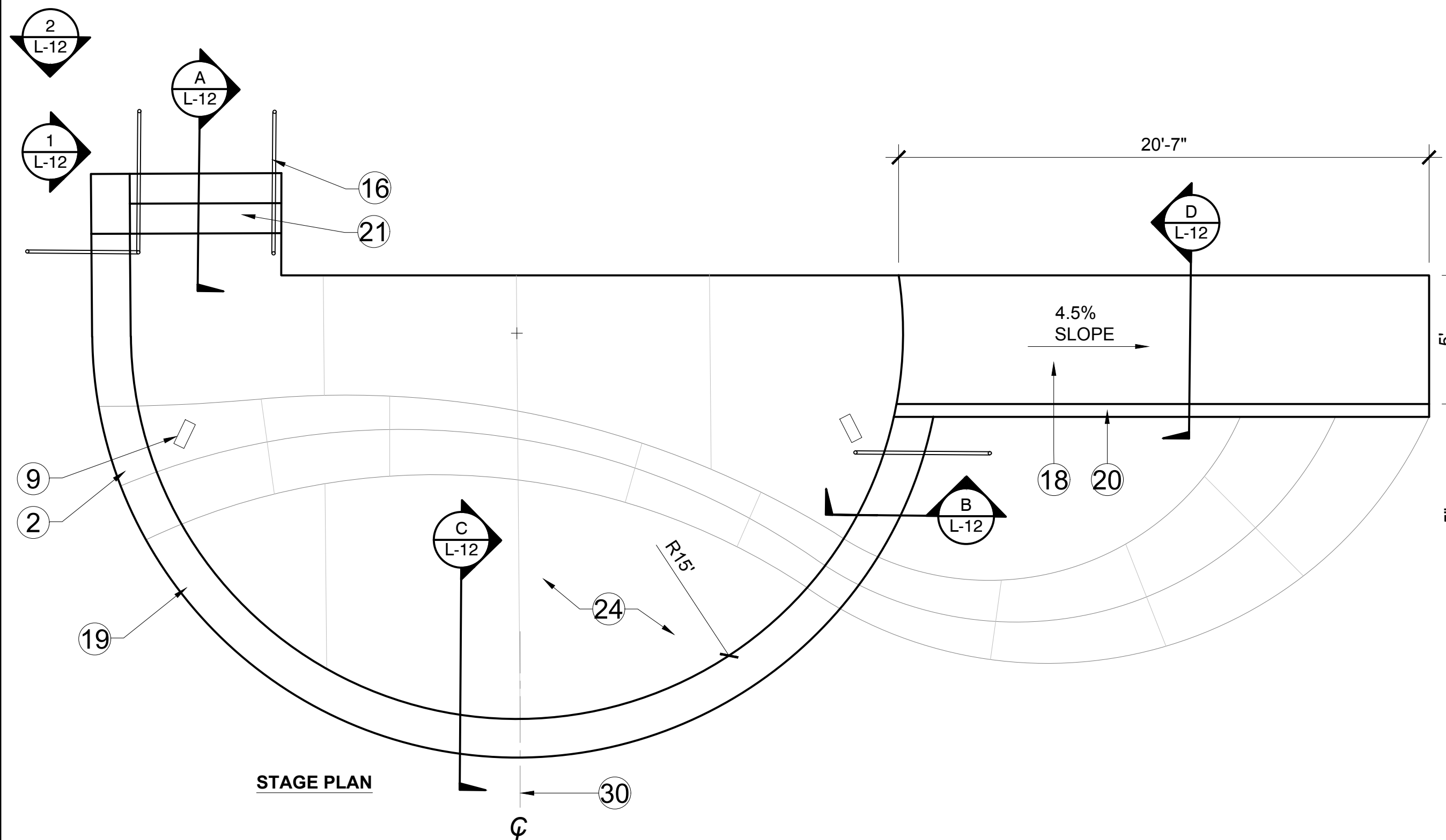
ELEVATION '1' - STAIR RAIL WEST



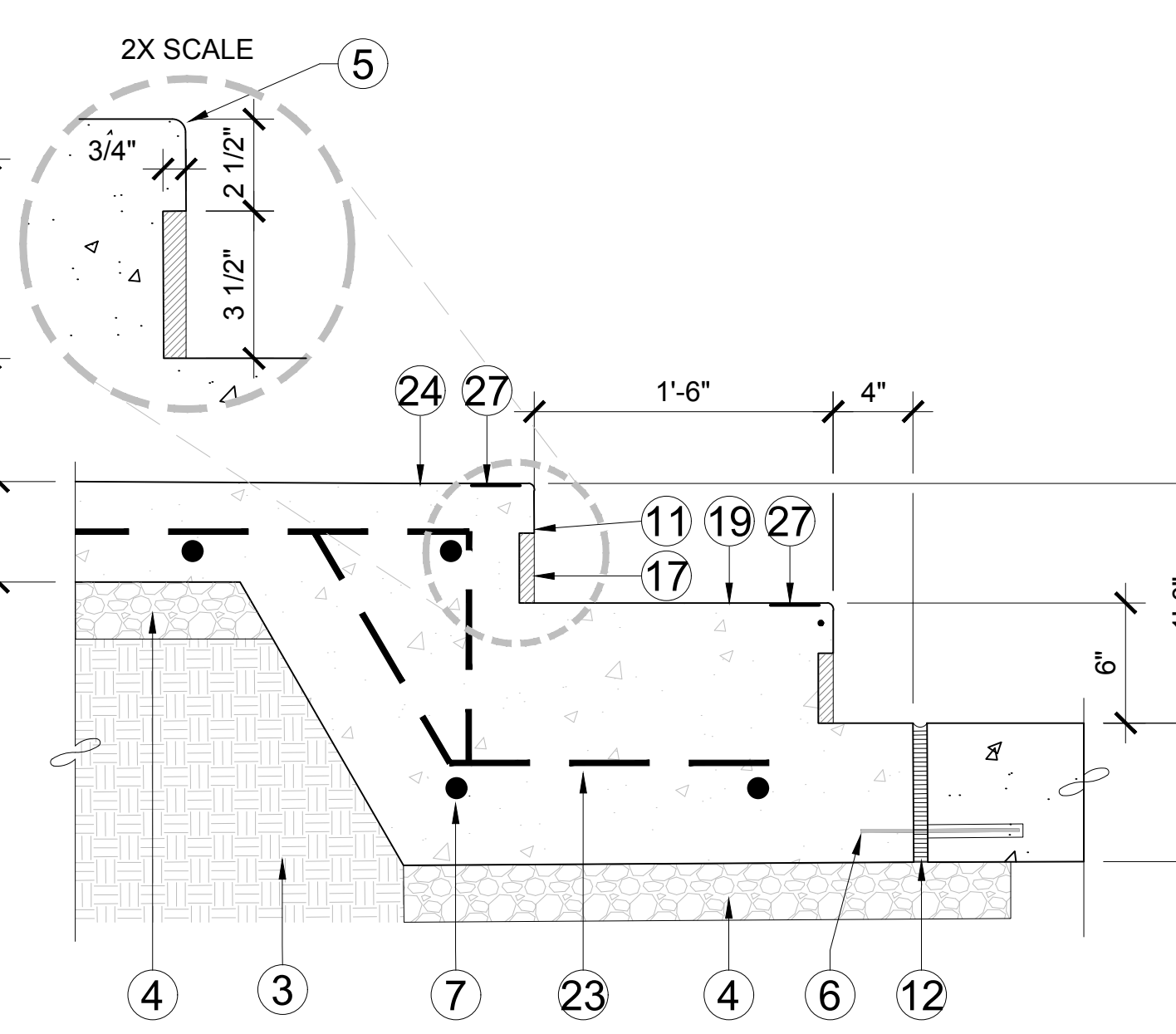
ELEVATION '2' - STAGE STEP RAIL WEST



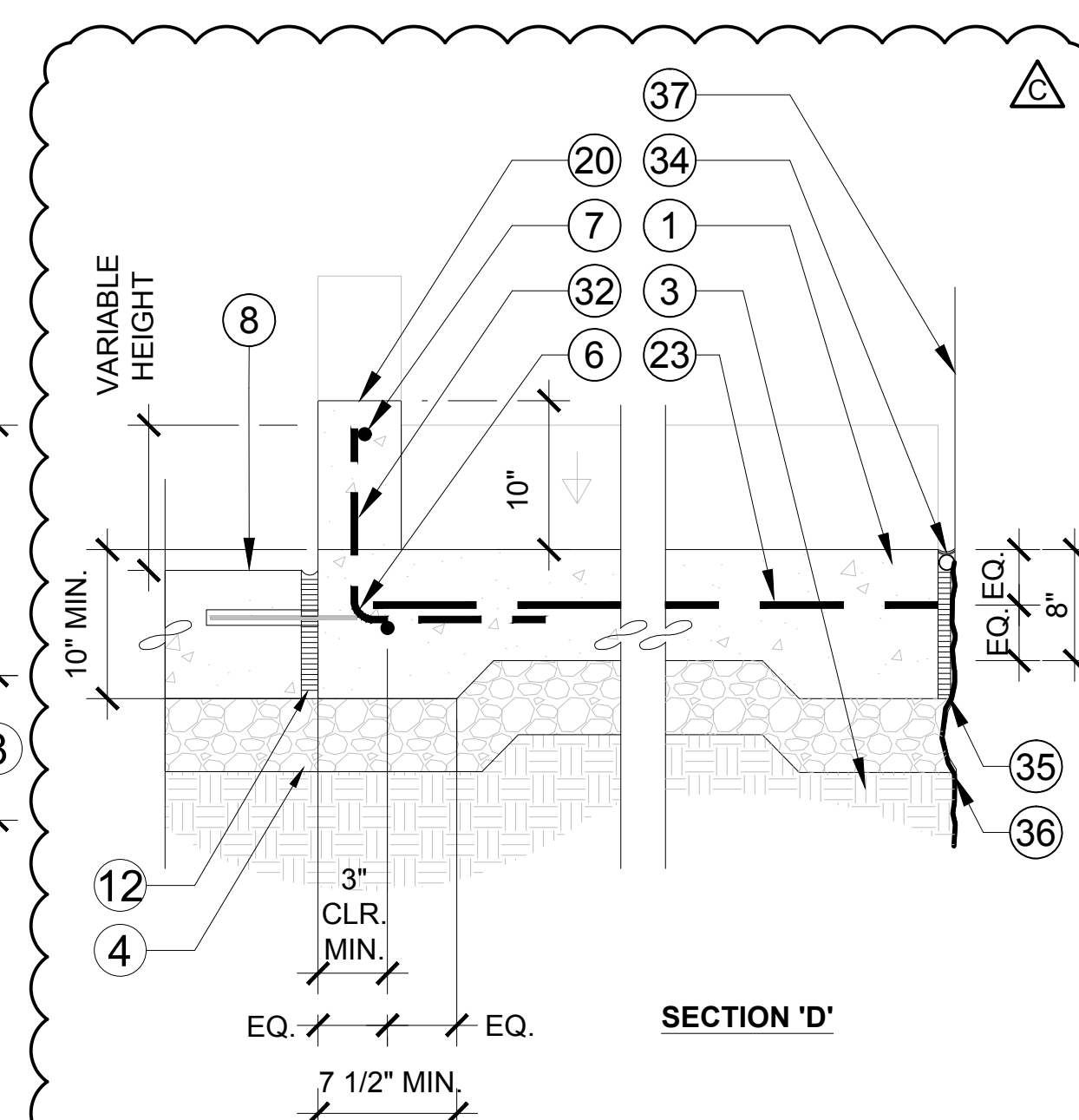
SECTION 'B' - STAGE STEP RAIL EAST



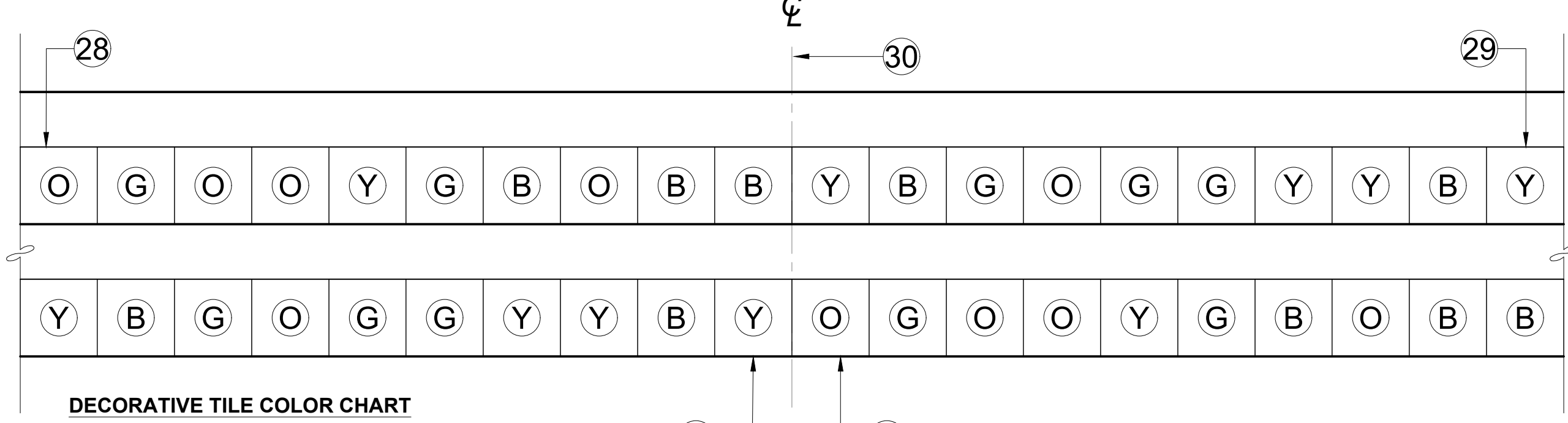
STAGE PLAN



SECTION 'C'



SECTION 'D'



DECORATIVE TILE COLOR CHART

TILE COLOR LEGEND:

- Y DALTILE NATURAL HUES "DAISY" QH97 (YELLOW), OR APPROVED EQUAL
- O DALTILE NATURAL HUES "SUNSET" QH94 (ORANGE), OR APPROVED EQUAL
- G DALTILE NATURAL HUES "SPRING GREEN" QH29, OR APPROVED EQUAL
- B DALTILE NATURAL HUES "REGENCY BLUE" QH67, OR APPROVED EQUAL

NOTES:

1. SEE SPECIFICATIONS FOR MORE INFORMATION.
2. ALL COMPONENTS OF THE ENCLOSURE SHALL BE GRAFFITI TREATED.
3. VERIFY STAGE HEIGHT AND SLOPE ON CIVIL DRAWINGS.
4. SUBMIT SHOP DRAWINGS OF THE HANDRAIL INCLUDING; PROPOSED CONNECTIONS, WELDS, AND ALL COMPONENTS OF THE HANDRAILS TO LANDSCAPE ARCHITECT AND CITY REPRESENTATIVE FOR REVIEW AND APPROVAL PRIOR TO FABRICATION AND INSTALLATION.

* FOR ALL ADD. ALT. INFORMATION, SEE WRITTEN DESCRIPTIONS ON SHEET L-03

- LEGEND**
- 1 CONCRETE PAVING - SLOPE PER CIVIL DRAWINGS, SEE SHEET L-01 AND SCHEDULE FOR MATERIAL
 - 2 DECORATIVE CONCRETE PAVING BAND, SEE SHEET L-01 AND SCHEDULE FOR MATERIAL
 - 3 COMPACTED SUBGRADE 90% MIN.
 - 4 COMPACTED BASE MATERIAL, SEE DETAIL 3, SHEET L-07
 - 5 1/2" RADIUS, TYP.
 - 6 CONCRETE DOWEL, SEE DETAIL 1, SHEET L-07
 - 7 #4 REBAR CONT.
 - 8 CONCRETE PAVING - AT PLAZA LEVEL (VEHICULAR PAVING), SEE DETAIL 2, SHEET L-07
 - 9 PERGOLA POST, SEE A-01 FOR MORE INFO*
 - 10 1/2" RADIUS, TYP.
 - 11 90 DEGREE INSET FOR TILE.
 - 12 EXPANSION JOINT, SEE DETAIL 1, SHEET L-07
 - 13 CORE 3" HOLE, MINIMUM 5" DEEP. POST SHALL BE GROUTED IN PLACE USING NON-SHRINK GROUT.
 - 14 1 1/2" X 1 1/2" HANDRAIL POST
 - 15 RETURN PER ADA STANDARDS
 - 16 1 1/2" TUBE SS HANDRAIL - CONFIRM DIMENSIONS WITH ADA
 - 17 3 1/2" DECORATIVE TILES
 - 18 RAMP
 - 19 STAGE STEP
 - 20 RAISED CURB
 - 21 CONCRETE STAIR STEPS
 - 22 THICKENED CONCRETE EDGE AT EDGE OF STAIR
 - 23 #3 REBAR @ 18" O.C. BOTH WAYS
 - 24 CONCRETE STAGE
 - 25 REBAR #3, CONTINUOUS
 - 26 #4 REBAR @ 12" O.C.
 - 27 2" WIDE CONTRASTING STRIPE PAINTED WITH A NON-SLIP WHITE PAINT PARALLEL TO, AND NOT MORE THAN, 1" FROM THE NOSE OF EACH TREAD. THE STRIPE SHALL EXTEND THE FULL WIDTH OF THE STEP.
 - 28 START OF TILE PATTERN, PATTERN TO BE REPEATED FOR LENGTH OF STAGE STEPS
 - 29 END OF THE TILE PATTERN, PATTERN TO BE REPEATED FOR LENGTH OF STEPS
 - 30 CENTERLINE OF TILE TO ALIGN WITH CENTERLINE OF STAGE
 - 31 1" BATTER
 - 32 #3 REBAR 12" O.C., 1'-0" VERTICAL DIMENSION AND 1'-0" HORIZONTAL DIMENSION
 - 33 REBAR PER SECTION 'C', THIS SHEET
 - 34 SEALANT AND BACKER ROD. INSTALL ALONG ENTIRE CONNECTION BETWEEN STAGE AND EXISTING BUILDING.
 - 35 1" COMPRESSIBLE FILLER. INSTALL ALONG ENTIRE CONNECTION BETWEEN STAGE AND EXISTING BUILDING.
 - 36 FLUID APPLIED WATERPROOFING MEMBRANE. MIRASEAL OR APPROVED EQUAL. INSTALL ALONG ENTIRE CONNECTION BETWEEN STAGE AND EXISTING BUILDING.
 - 37 WALL/ FOOTING OF EXISTING BUILDING

PLANS FOR THE CONSTRUCTION OF:

NORTH PARK MINI PARK CONSTRUCTION DETAILS

CITY OF SAN DIEGO, CALIFORNIA
PUBLIC WORKS DEPARTMENT
SHEET 25 OF 72 SHEETS

WBS S-10050
TYPE

APPROVED: *Julie Ballesteros*
FOR CITY ENGINEER
DATE: 07-15-2019
PRINT NAME: JULIE BALLESTEROS
RICE
DATE: 4/8/96

DESIGNED BY: *Julie Ballesteros*
DATE: 08/12/2019

PROJECT ENGINEER: YOVANNA LEWIS

CONTROL CERTIFICATION
210N, 1725E
LAMBERT COORDINATES
40295-25-D

CONTRACTOR: _____ DATE STARTED: _____
INSPECTOR: _____ DATE COMPLETED: _____

**1 STAGE DETAILS
SECTIONS/PLANS/ELEVATIONS**

CHANGE	DATE	AFFECTED OR ADDED SHEET NUMBERS	APPROVAL NO.



CONSULTANT

3916 Normal Street
San Diego, CA 92103
619.294.4477
www.ktua.com

REG. LANDSCAPE ARCHITECT
NO. 2342
EXPIRES 2/28/21
STATE OF CALIFORNIA

REG. PROFESSIONAL ENGINEER
NO. C48966
EXPIRES 08/12/2019
CIVIL
STATE OF CALIFORNIA

DETAIL REVISED ALONG STAGE EDGE AT EXISTING BUILDING.

NORTH PARK MINI PARK



△

L-20

PLANS FOR THE CONSTRUCTION OF:

**NORTH PARK MINI PARK
CONSTRUCTION DETAILS**

CITY OF SAN DIEGO, CALIFORNIA
PUBLIC WORKS DEPARTMENT
SHEET 33 OF 72 SHEETS

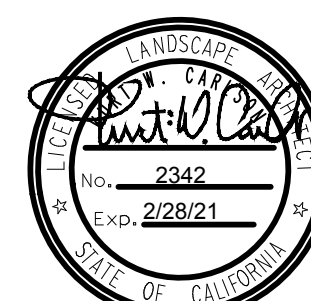
WBS TYPE: S-10050

APPROVED FOR CITY ENGINEER: *Julie Ballesteros*
DATE: 07-15-2019
PRINT NAME: JULIE BALLESTEROS
RICE# 48966

DESIGNED BY: YOVANNA LEWIS
PROJECT MANAGER

DESCRIPTION	BY	APPROVED	DATE	FILMED
ADDENDUM	KTUA	<i>Julie Ballesteros</i>	08/12/2019	

CONTROL CERTIFICATION
210N, 1725E
LAMBERT COORDINATES
40295-33-D

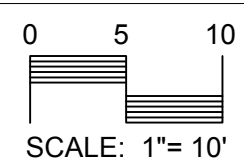


CONSULTANT



3916 Normal Street
San Diego, CA 92103
619.294.4477
www.ktua.com

The City of **SAN DIEGO** Parks and Recreation



CONSTRUCTION CHANGE / ADDENDUM			
CHANGE	DATE	AFFECTED OR ADDED SHEET NUMBERS	APPROVAL NO.

△ DETAIL REMOVED.

STRUCTURAL OBSERVATION:

- PER C.B.C. CHAPTER 17 SECTION 1702, THE OWNER SHALL EMPLOY A LICENSED ENGINEER OR ARCHITECT RESPONSIBLE FOR THE STRUCTURAL DESIGN, OR HIS DESIGNATED ENGINEER OR ARCHITECT TO MAKE SITE VISITS TO OBSERVE GENERAL COMPLIANCE WITH THE APPROVED STRUCTURAL PLANS, SPECIFICATIONS AND CHANGE ORDERS.
FOR THE FOLLOWING:
A. PRIOR TO PLACEMENT OF CONCRETE IN FOUNDATION AND POURING OF SLAB.
B. SUBSEQUENT TO THE INSTALLATION OF THE ROOF SLAB, PRIOR TO COVERING OF THE CONNECTIONS.
- THE ENGINEER OR ARCHITECT SHALL SUBMIT A STATEMENT IN WRITING TO THE BUILDING OFFICIAL STATING THAT THE SITE VISIT HAS BEEN MADE AND THAT TO THE BEST OF THE ENGINEER'S OR ARCHITECT'S KNOWLEDGE, ANY DEFICIENCIES NOTED HAVE BEEN CORRECTED.

THE ENGINEER MUST BE NOTIFIED A MINIMUM OF 48 HOURS PRIOR TO EACH INDIVIDUAL CONCRETE PLACEMENT (POUR) OF THE CONCRETE FOUNDATION.

WELDING:

- ALL WELDING SHALL BE IN ACCORDANCE WITH THE PROVISIONS OF THE AMERICAN WELDING SOCIETY CODE D1.1. (LATEST EDITION).
- ALL WELDING SHALL BE DONE BY QUALIFIED CERTIFIED WELDERS.
- ALL WELDING SHALL BE DONE BY THE SHIELDED ARC PROCESS USING APPROVED ELECTRODES PER A.W.S. SPECIFICATIONS (LOW HYDROGEN ELECTRODES).
- ALL WELDS SHALL HAVE A WELD CONTROLLED SEQUENCE AND TECHNIQUE IN ORDER TO MINIMIZE SHRINKAGE, STRESSES AND DISTORTION.
- WELDING OF REINFORCING BARS TO BE IN ACCORDANCE WITH A.W.S. D1.4 REINFORCING STEEL TO BE WELDED SHALL HAVE A CARBON EQUIVALENT (CE) OF 0.75 SPECIAL INSPECTION IS REQUIRED.
- WELDING OF SHEET METAL SHALL BE IN ACCORDANCE WITH A.W.S. D1.3.
- SPECIAL INSPECTION IS REQUIRED FOR ALL WELDING.

STEEL:

- FABRICATION AND ERECTION TO CONFORM TO A.I.S.C. 2010 EDITION "SPECIFICATION FOR STRUCTURAL STEEL BUILDINGS" AND "CODE OF STANDARD PRACTICE FOR STEEL BUILDINGS AND BRIDGES" EXCEPT AS OTHERWISE SHOWN OR SPECIFIED.
- QUALIFIED AND CERTIFIED WELDERS SHALL BE USED FOR ALL WELDING. ALL WELDING TO CONFORM TO THE 2010 EDITION OF THE AMERICAN WELDING SOCIETY STRUCTURAL WELDING CODE A.W.S. D1.1.
- MATERIALS:
WIDE FLANGE SHAPESA.S.T.M. A-992, GRADE 50
ANGLES, MISC. STEELA.S.T.M. A36
MISCELLANEOUS PLATES.....A.S.T.M. A-36
STRUCTURAL STEEL PIPESA.S.T.M. A53 TYPE E OR S, GRADE B
WELDING ELECTRODESA.W.S. STRUCTURAL STEEL E70XX,
REINFORCING STEEL E80XX
ANCHOR RODSA.S.T.M. F1554 GRADE 36
TYPICAL STEEL CONNECTION BOLTSA.S.T.M. A-307
MISCELLANEOUS BOLTSA.S.T.M. A-307
GALVANIZINGA.S.T.M. A-123
RUST-INHIBITING PRIMER.....IT-P-645 A.S.T.M.
STEEL TUBINGA.S.T.M. A-500, GRADE B
(Fy = 46 K.S.I.)
- PRIMER AND PAINT GALVANIZE AFTER FABRICATION ALL STRUCTURAL STEEL AND CONNECTORS EXPOSED TO WEATHER. TOUCH UP DAMAGED PRIMER AND PAINT AFTER ERECTION IS COMPLETE.
- CONNECTED MEMBERS SHALL BEAR ONLY UPON UNTHREADED PORTIONS OF BOLTS.
- BURNING OF HOLES IS NOT ALLOWED.
- INSPECTION OF WELDING SHALL CONFORM TO C.B.C. REQUIREMENTS (CHAPTER 17).
- THE STRUCTURAL STEEL FABRICATOR SHALL SUBMIT SHOP DRAWINGS TO THE ENGINEER FOR APPROVAL PRIOR TO FABRICATION.
- BOLT HOLES SHALL BE 1/16" LARGER IN DIAMETER THAN NOMINAL SIZE OF BOLT USED, UNLESS NOTED OTHERWISE.
- ALL STRUCTURAL STEEL SURFACES TO RECEIVE SPRAY-APPLIED FIREPROOFING, OR TO BE ENCASED IN CONCRETE OR MASONRY, SHALL BE LEFT UNPAINTED.
- STRUCTURAL STEEL SHALL BE DELIVERED TO THE JOB SITE FREE OF EXCESSIVE RUST, MILL SCALE, GREASE, ETC.
- OPENINGS SHALL NOT BE PLACED IN STEEL MEMBERS UNLESS SPECIFICALLY DETAILED.

SPECIAL INSPECTION – GENERAL NOTES:

- THE SPECIAL INSPECTIONS LISTED ARE IN ADDITION TO THE CALLED INSPECTIONS REQUIRED BY CBC CHAPTER 1, DIVISION II, SECTION 110. SPECIAL INSPECTION IS NOT A SUBSTITUTE FOR INSPECTIONS REQUIRED BY A CITY INSPECTOR.
- CONTINUOUS INSPECTION IS ALWAYS REQUIRED DURING THE PERFORMANCE OF THE WORK UNLESS OTHERWISE SPECIFIED. WHEN WORK IN MORE THAN ONE CATEGORY OF WORK REQUIRING SPECIAL INSPECTION IS TO BE PERFORMED SIMULTANEOUSLY, OR THE GEOGRAPHIC LOCATION OF THE WORK IS SUCH THAT IT CANNOT BE CONTINUOUSLY OBSERVED IN AS DEFINED IN CBC SECTION 1702, IT IS THE AGENT'S RESPONSIBILITY TO EMPLOY A SUFFICIENT NUMBER OF INSPECTORS TO ASSURE THAT ALL THE WORK IS INSPECTED IN ACCORDANCE WITH THOSE PROVISIONS.
- THE SPECIAL INSPECTORS MUST BE CERTIFIED BY THE CITY OF SAN DIEGO DEVELOPMENT SERVICES TO PERFORM THE TYPE OF INSPECTION SPECIFIED.
EXCEPTIONS:
1. SOILS INSPECTIONS BY THE SOILS ENGINEER OF RECORD.
2. SMOKE CONTROL SYSTEM, BY THE MECHANICAL ENGINEER OF RECORD.
3. WHEN WAIVED BY THE BUILDING OFFICIAL.
- THE CONSTRUCTION MATERIALS TESTING LABORATORY MUST BE REGISTERED AND APPROVED BY THE CITY OF SAN DIEGO DEVELOPMENT SERVICES FOR TESTING OF MATERIALS, SYSTEMS, COMPONENTS AND EQUIPMENT.
- IT IS THE RESPONSIBILITY OF THE CONTRACTOR TO NOTIFY THE SPECIAL INSPECTOR OR INSPECTION AGENCY AT LEAST ONE WORKING DAY PRIOR TO PERFORMING ANY WORK THAT REQUIRES SPECIAL INSPECTION.
- WORK REQUIRING SPECIAL INSPECTION THAT IS INSTALLED OR COVERED WITHOUT THE APPROVAL OF THE CITY INSPECTOR IS SUBJECT TO REMOVAL OR EXPOSURE AT NO COST TO THE OWNER.
- FABRICATOR SHALL SUBMIT AN "APPLICATION TO PERFORM OFF-SITE FABRICATION" TO THE INSPECTION SERVICES DIVISION FOR APPROVAL PRIOR TO COMMENCEMENT OF FABRICATION.
- FABRICATOR SHALL SUBMIT A "CERTIFICATE OF COMPLIANCE FOR OFF-SITE FABRICATION" TO THE INSPECTION SERVICES DIVISION PRIOR TO ERECTION OF FABRICATED ITEMS AND ASSEMBLIES.
- SPECIAL INSPECTION IS REQUIRED FOR FABRICATION OF MEMBERS AND ASSEMBLIES DONE IN A SHOP OF A FABRICATOR WHICH IS NOT APPROVED BY INSPECTION SERVICES. AN APPLICATION TO PERFORM OFF-SITE FABRICATION MUST BE SUBMITTED TO AND APPROVED BY INSPECTION SERVICES.
- SPECIAL INSPECTOR SHALL VERIFY THAT FABRICATOR MAINTAINS DETAILED FABRICATION AND QUALITY CONTROL PROCEDURES THAT PROVIDE A BASIS FOR INSPECTION CONTROL OF THE WORKMANSHIP AND FABRICATOR'S ABILITY TO CONFORM TO APPROVED CONSTRUCTION DOCUMENTS AND REFERENCED STANDARDS. THE SPECIAL INSPECTOR SHALL REVIEW THE PROCEDURES FOR COMPLETENESS AND ADEQUACY RELATIVE TO THE CODE REQUIREMENTS FOR FABRICATOR'S SCOPE OF WORK.
- FABRICATION OF MEMBERS AND ASSEMBLIES DONE IN A FABRICATOR'S SHOP APPROVED BY INSPECTION SERVICES NEED NOT HAVE CONTINUOUS OR PERIODIC SPECIAL INSPECTION. AT COMPLETION OF FABRICATION, THE APPROVED FABRICATOR SHALL SUBMIT THE "CERTIFICATE OF COMPLIANCE" FORM TO INSPECTION SERVICES. (SECTION 1704.2.2, B.N.L. 17-6)
- INSPECTION BY A PROFESSIONAL GEOLOGIST IS REQUIRED TO CONFIRM AT LEAST ONE FOOT EMBEDMENT INTO THE UNIT 2 PARALICS.

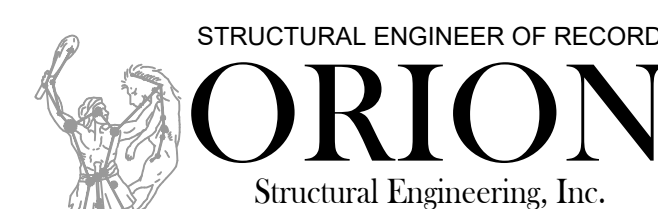
REQUIRED	TEST OR SPECIAL INSPECTION	TESTING SCHEDULE	PERFORMED BY	CODE REFERENCE AND NOTES
	SOILS			
	1. GENERAL:			TABLE 1704A.7
	A. VERIFY THAT: SITE HAS PREPARED PROPERLY PRIOR TO PLACEMENT OF CONTROLLED FILL AND/OR EXCAVATIONS FOR FOUNDATIONS. FOUNDATION EXCAVATIONS ARE EXTENDED TO PROPER DEPTH AND HAVE REACHED PROPER MATERIAL. MATERIALS BELOW FOOTING ARE ADEQUATE TO ACHIEVE THE DESIGN BEARING CAPACITY.	PERIODIC	G.E.*	*BY GEOTECHNICAL ENGINEER OR THEIR QUALIFIED REPRESENTATIVE.
REQUIRED SPECIAL INSPECTIONS & TESTS OF CAST-IN-PLACE DEEP FOUNDATION ELEMENTS				
	B. INSPECT DRILLING OPERATIONS AND MAINTAIN COMPLETE AND ACCURATE RECORDS FOR EACH ELEMENT.			
	C. VERIFY PLACEMENT LOCATIONS AND PLUMBNESS, CONFIRM ELEMENT DIAMETERS, BY GEOLOGIST, LENGTHS, EMBEDMENT INTO THE UNIT 2 PARALICS FORMATIONAL MATERIALS.			
	CONCRETE			TABLE 1704A.4
	CAST IN PLACE CONCRETE			
	MATERIAL VERIFICATION AND TESTING:			
	A. VERIFY USE OF REQUIRED DESIGN MIX.	PERIODIC	SI & PI*	* TO BE PERFORMED BY BATCH-PLANT SPECIAL INSPECTOR AND PROJECT INSPECTOR
	B. PERFORM SLUMP, TEMPERATURE, AND (WHERE REQUIRED) AIR CONTENT TESTS.	TEST	LAB	ASTM C172, ASTM C31
	C. TEST CONCRETE (COMPRESSION).	TEST	LAB	1905A.6 (1905.6+) ASTM C39
	INSPECTION:			
	D. INSPECT PLACEMENT OF FORMWORK, REINFORCING STEEL, EMBEDDED ITEMS AND CONCRETE. INSPECT CURING AND FORM REMOVAL.	CONTINUOUS	PI*	* MAY BE PERFORMED BY A SPECIAL INSPECTOR.
	PRESTRESSED CONCRETE (IN ADDITION TO CAST IN PLACE CONCRETE TESTS AND INSPECTIONS):			
	A. TEST PRESTRESSING TENDONS AND ANCHORAGES.	TEST	LAB	1916A.3 (1916.1.7+) ASTM A370
	B. INSPECT PLACEMENT OF PRESTRESSING TENDONS.	PERIODIC	SI	
	19. WELDING:			AWS D1.1 AND AWS D1.8
	VERIFICATION OF MATERIALS, EQUIPMENT, WELDERS, ETC:			
	A. VERIFY WELD FILLER MATERIAL IDENTIFICATION MARKINGS PER AWS DESIGNATION LISTED ON THE CITY APPROVED DOCUMENTS AND THE WPS.	PERIODIC	SI	
	B. VERIFY WELD FILLER MATERIAL MANUFACTURER'S CERTIFICATE OF COMPLIANCE.	PERIODIC	SI	
	C. VERIFY WPS, WELDER QUALIFICATIONS AND REQUIREMENT.	PERIODIC	SI	

NORTH PARK MINI PARK



S-1.2

SUB-CONSULTANT



11305 RANCHO BERNARDO RD
SUITE 121
SAN DIEGO CA 92127
PHONE (658) 679-1974

CONSULTANT



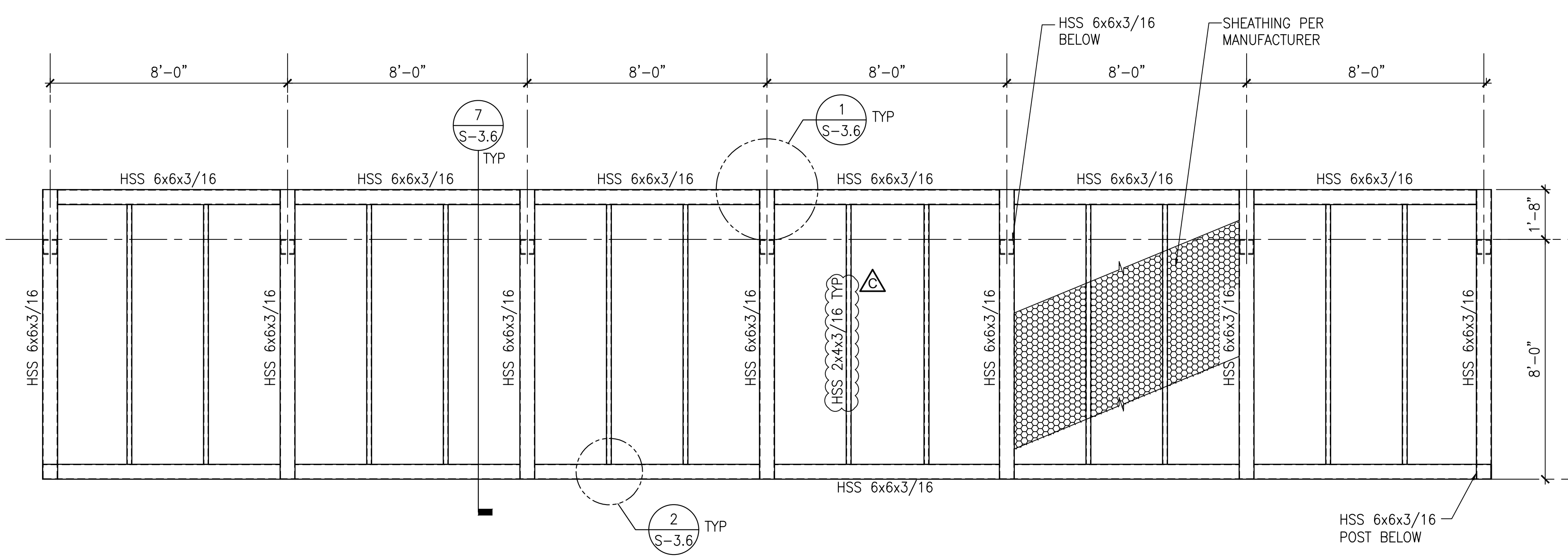
3916 Normal Street
San Diego, CA 92103
619.294.4477
www.ktua.com

PLANS FOR THE CONSTRUCTION OF:		NORTH PARK MINI PARK	
GENERAL NOTES			
CITY OF SAN DIEGO, CALIFORNIA		WBS TYPE S-10050	
PUBLIC WORKS DEPARTMENT		YOVANNA LEWIS	
SHEET 41 OF 12 SHEETS		PROJECT MANAGER	
FOR CITY ENGINEER JULIE BALLESTEROS		DATE 07-15-2019	
PRINT NAME		DATE 48966	
DESCRIPTION		BY	
ADDENDUM		KTUA	
APPROVED		DATE	
FILED		PROJECT ENGINEER	
CONTROL CERTIFICATION		210N, 1725E	
LAMBENT COORDINATES		40295-41-D	
CONTRACTOR		DATE STARTED	
INSPECTOR		DATE COMPLETED	

CONSTRUCTION CHANGE / ADDENDUM			
CHANGE	DATE	AFFECTED OR ADDED SHEET NUMBERS	APPROVAL NO.



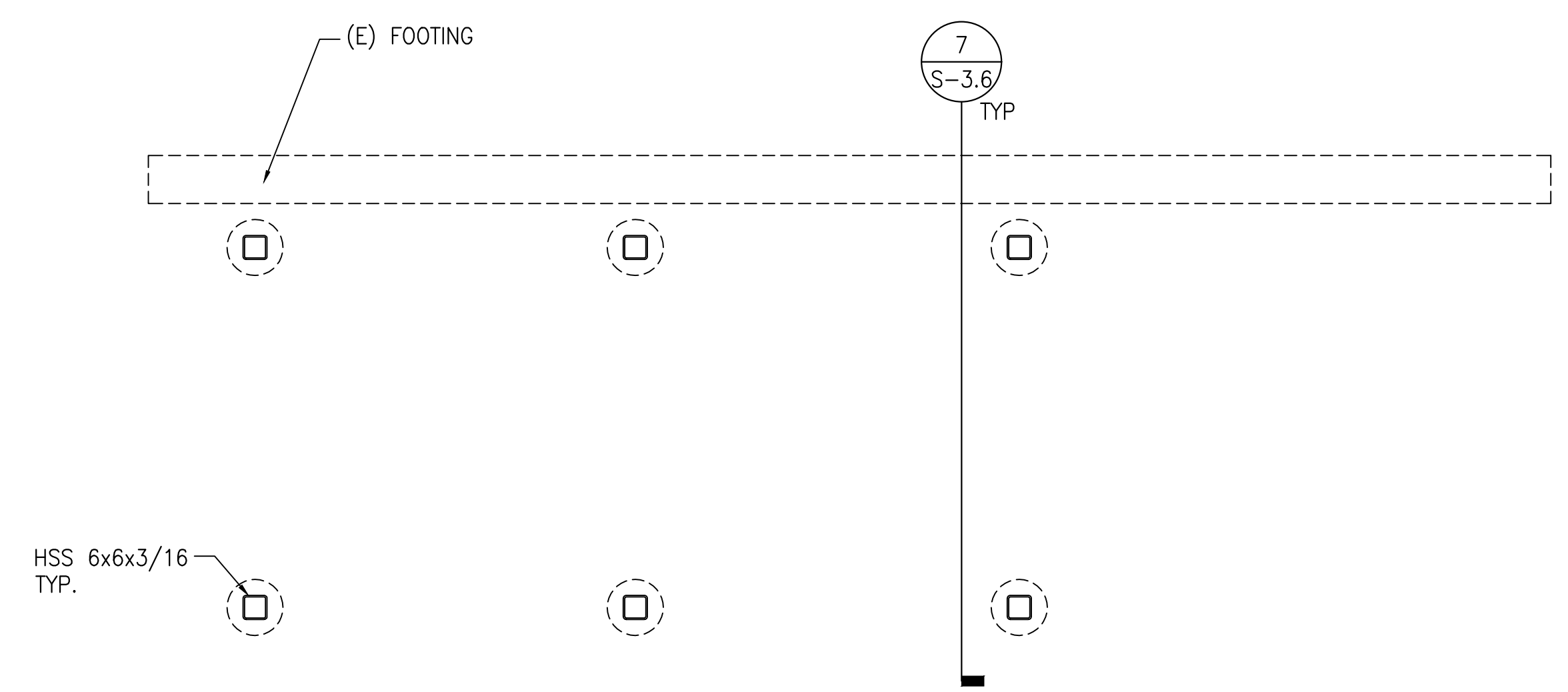
CHANGES TO NOTES.



ROOF PLAN

3

1



FOUNDATION PLAN

4

2 NORTH S-3.5

SUB-CONSULTANT
STRUCTURAL ENGINEER OF RECORD
ORION
Structural Engineering, Inc.
11305 RANCHO BERNARDO RD
SUITE 121
SAN DIEGO CA 92127
PHONE (858) 679-1974



PLANS FOR THE CONSTRUCTION OF:
NORTH PARK MINI PARK
TRASH ENCLOSURE

CITY OF SAN DIEGO, CALIFORNIA PUBLIC WORKS DEPARTMENT SHEET 50 OF 12 SHEETS		WBS TYPE S-10050
FOR CITY ENGINEER JULIE BALLESTEROS PRINT NAME	DATE 07-15-2019 48966	PROJECT MANAGER YOVANNA LEWIS
DESCRIPTION	BY	APPROVED
ADDENDUM	KTUA	[Signature]
CONTRACTOR		DATE STARTED
INSPECTOR		DATE COMPLETED
CONTROL CERTIFICATION		PROJECT NUMBER
210N, 1725E		40295-50-D

CONSTRUCTION CHANGE / ADDENDUM			
CHANGE	DATE	AFFECTED OR ADDED SHEET NUMBERS	APPROVAL NO.

The City of **SAN DIEGO** Parks and Recreation

ktua
3916 Normal Street
San Diego, CA 92103
619.294.4477
www.ktua.com



DETAIL REVISED.

LIGHTING FIXTURE SCHEDULE										
TYPE	SYMBOL	WATT	VOLT	LAMP #	TYPE	DESCRIPTION	BALLAST/DRIVER #	TYPE	MANUFACTURER AND CATALOG NUMBER	MOUNTING
F1		155	120	20000	LUMEN LED	POST TOP LED LIGHT FIXTURE ON 20' POLE WITH INTEGRAL MOTION SENSOR DEVICE, TYPE IV DISTRIBUTION, GRAPHITE FINISH. PROVIDE WITH G.E. LIGHT NODE CONNECTED TO A 7-PIN RECEPTACLE PER CITY STREET DIVISION REQUIREMENTS.		BLEVEL LED DRIVER	FIXTURE: KIM LIGHTING UR28-96L-155-4K7-4-UNV-GT-7PR-WSP-40F-1 OR APPROVED EQUAL	20' H, 5" DIA ROUND ALUMINUM POLE
F2		30	120	3000	LUMEN LED	POST TOP LED LIGHT FIXTURE ON 10' POLE, TYPE V DISTRIBUTION, GRAPHITE FINISH. PROVIDE WITH G.E. LIGHT NODE CONNECTED TO A 7-PIN RECEPTACLE PER CITY STREET DIVISION REQUIREMENTS.		FIXED OUTPUT LED DRIVER	FIXTURE: KIM LIGHTING UR20-28L-30-4K7-5W-UNV-GT-7PR OR APPROVED EQUAL	10' H, 4" DIA ROUND ALUMINUM POLE
F3		4.8	120			DMX CONTROLLED LED FLOODLIGHT, 34" BEAM ANGLE WITH OUTDOOR-RATED POWER PACK, CONNECTOR AND 12VDC INPUT VOLTAGE AT PERGOLAS			FIXTURE: GANTOM STROM DMX TRIM: PING S SERIES SCREW MOUNT OR APPROVED EQUAL	SURFACE AT PERGOLAS
F4		3.75W PER FT	24 VDC	37	LUMENS PER FT	RGBW TUBE LIGHT AT WAYFINDING PYLONS. PROVIDE WITH POWER SUPPLY AND DMX CONTROLLER.		MULTI CHANNEL DMX	ACCLAIM LIGHTING FLEX TUBE RGB DRIVER/CONTROLLER: ALD-400-24 OR APPROVED EQUAL	SEE PYLON DETAIL 1 ON SHEET LC-18
F5		4	120	510	LUMEN LED 4000K	IN-GROUND LED UPLIGHT, ROUND TRIM FLUSH WITH GROUND, STAINLESS STEEL FINISH.			ARCLUCE INGROUND-SHORT 110 OR APPROVED EQUAL	FLUSH WITH GROUND
F6		4.4W PER LF	120V - 24VDC		LED 4000K	FIELD-CUTTABLE LED LIGHTING STRAND WITH EXTRUSION AND LENS INSIDE WAYFINDING PYLON BASE CABINET	1	DIMMING DRIVER	TUBE LIGHTING PRODUCTS DSHWL-VHO-24V-W40 EXTRUSION: DSH-EXT-180W OR APPROVED EQUAL	SURFACE

LOCATION: HARDSCAPE											
PANEL "A"		MAIN: 100A 2P						BUS: 100 AMPS		VOLTAGE: 120/240V, 1ϕ, 3W	
MINIMUM DEVICE RATING: 42,000 A.I.C.											
DESCRIPTION	LOAD (VOLT-AMPS)		CKT BRKR		CODE		CKT BRKR		LOAD (VOLT-AMPS)		DESCRIPTION
	ØA	ØB	Nb	TRIP	ØA	ØB	TRIP	Nb	ØA	ØB	
* POLE FIXTURES (TYPE F1)	777		1	20	1	*	1	20	2	160	* PERGOLA LIGHTS (TYPE F3)
POLE GFCI RECEPTACLES		1260	3	20	3	*	3	20	4		PERGOLA GFCI RECEPTACLES
* POLE FIXTURES (TYPE F2)	252		5	20	1	*	1	20	6	180	* PERGOLA LIGHTS (TYPE F3)
* WAYFINDING FIXTURES (TYPE F4)		800	7	20	1	*	3	20	8		PERGOLA GFCI RECEPTACLES
IRRIGATION CONTROLLER			9	20	2	*		20	10	36	* SIGN LIGHTING (TYPE F5)
SECURITY CAMERA CABINET			11	20	1	*		20	12		SPARE
SPARE			13	20		*		20	14		SPARE
SPARE			15	20		*		20	16		SPARE
SUMP PUMP (3/4 HP)	795		17	20		*		60	18		PANEL "B"
		795	19	2P		*		2P	20		
			21			*			22		
			23			*			24		
			25			*			26		
			27			*			28		
			29			*			30		
			31			*			32		
			33			*			34		
			35			*			36		
			37			*			38		
			39			*			40		

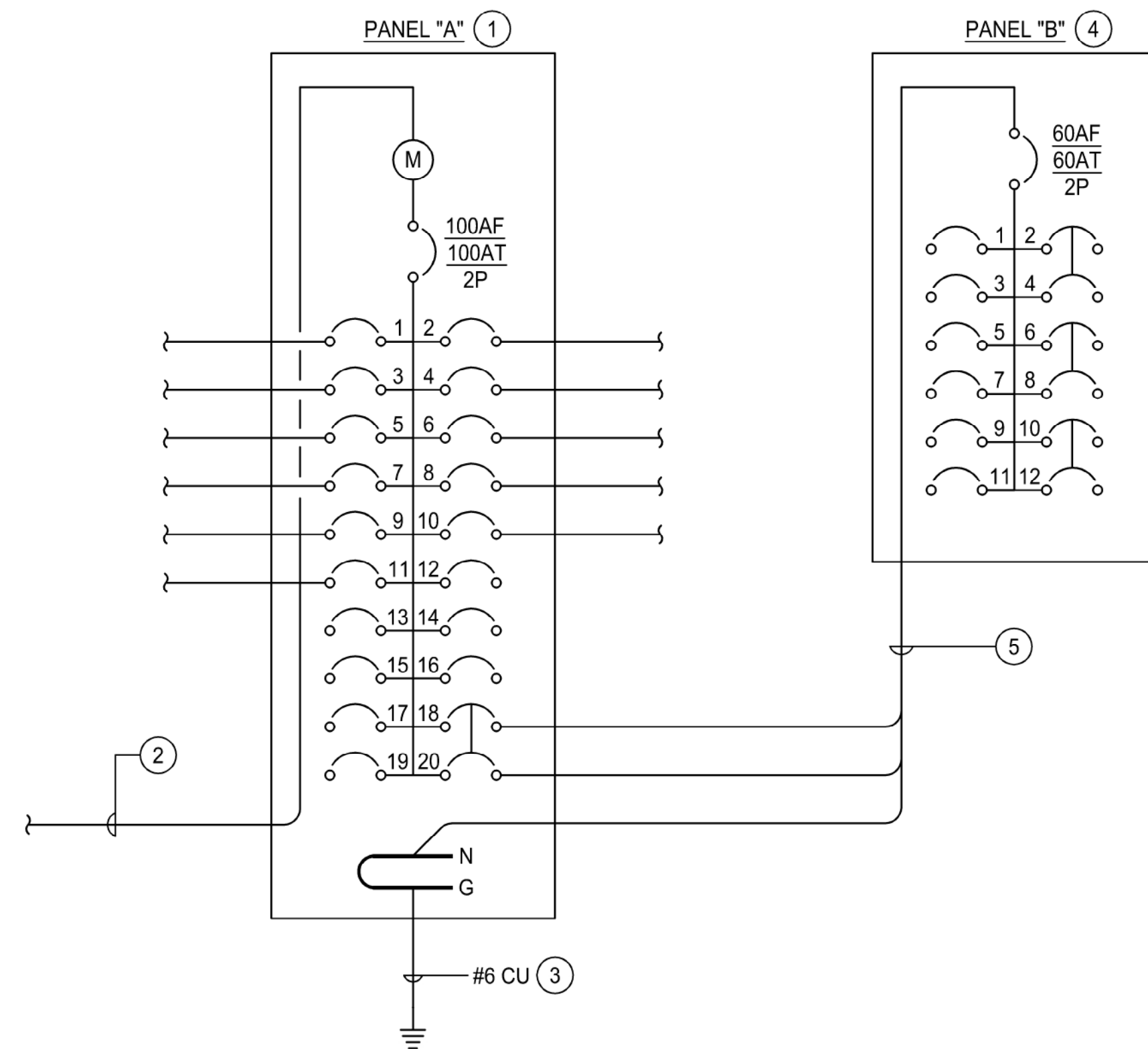
øA = 2700		øB = 4435	
CONTINUOUS LOAD (CODE 1):	2.67 KVA		
NON-CONTINUOUS LOAD (CODE 2):	0.50 KVA		
RECEPTACLE LOAD (CODE 3):	2.34 KVA		
KITCHEN EQUIPMENT LOAD (CODE 4):	0.00 KVA		
HVAC EQUIPMENT LOAD (CODE 5):	0.00 KVA		
TOTAL CONNECTED LOAD	7.14 KVA		
	30 AMPS		
TOTAL DEMAND LOAD	6.18 KVA		
	26 AMPS		

NOTES:	
* PROVIDE PHOTOCELL "ON" AND TIMELOCK "OFF" CONTROLS.	

LOCATION: BACKSTAGE											
PANEL "B"		MAIN: 60A 2P						BUS: 60 AMPS		VOLTAGE: 120/240V, 1ϕ, 3W	
MINIMUM DEVICE RATING: 42,000 A.I.C.											
DESCRIPTION	LOAD (VOLT-AMPS)		CKT BRKR		CODE		CKT BRKR		LOAD (VOLT-AMPS)		DESCRIPTION
	ØA	ØB	Nb	TRIP	ØA	ØB	TRIP	Nb	ØA	ØB	
SPARE			1	20		*		20	2		SPARE
SPARE			3	20		*		2P	4		-
SPARE			5	20		*		30	6		SPARE
SPARE			7	20		*		2P	8		-
SPARE			9	20		*		40	10		SPARE
SPARE			11	20		*		2P	12		-
			13			*			14		
			15			*			16		
			17			*			18		
			19			*			20		
			21			*			22		
			23			*			24		
			25			*			26		
			27			*			28		
			29			*			30		
			31			*			32		
			33			*			34		
			35			*			36		
			37			*			38		
			39			*			40		

øA = 0		øB = 0	
CONTINUOUS LOAD (CODE 1):	0.00 KVA		
NON-CONTINUOUS LOAD (CODE 2):	0.00 KVA		
RECEPTACLE LOAD (CODE 3):	0.00 KVA		
KITCHEN EQUIPMENT LOAD (CODE 4):	0.00 KVA		
HVAC EQUIPMENT LOAD (CODE 5):	0.00 KVA		
TOTAL CONNECTED LOAD	0.00 KVA		
	0 AMPS		
TOTAL DEMAND LOAD	0.00 KVA		
	0 AMPS		

NOTES:	



SINGLE LINE DIAGRAM

SCALE: NOT TO SCALE

CONSTRUCTION CHANGE / ADDENDUM			
CHANGE	DATE	AFFECTED OR ADDED SHEET NUMBERS	APPROVAL NO.

WARNING
IF THIS BAR DOES
NOT MEASURE 1"
THEN DRAWING IS
NOT TO SCALE.



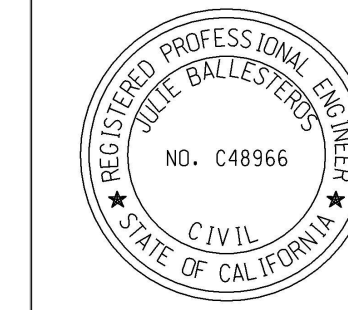
Parks and Recreation

EDI ELECTRICAL DESIGN, INC. CONSULTING ENGINEERS
9845 Irma Rd., SUITE 205 SAN DIEGO, CA 92131
Tel: (619) 564-8985 Fax: (619) 564-8904
www.edi-engineers.com

CONSULTANT



3916 Normal Street
San Diego, CA 92103
619.294.4477
www.ktua.com



PLANS FOR THE CONSTRUCTION OF:

NORTH PARK MINI PARK
SINGLE LINE DIAGRAM
PANEL & LIGHT FIXTURE SCHEDULES

CITY OF SAN DIEGO, CALIFORNIA
PUBLIC WORKS DEPARTMENT
SHEET 54 OF 72 SHEETS

WBS TYPE: S-10050

APPROVED FOR CITY ENGINEER: Julie Ballesteros
DATE: 07-15-2019
PROJECT MANAGER: YOVANNA LEWIS

DESCRIPTION: ADDENDUM
BY: KTUA
APPROVED: [Signature]
DATE: 08/12/2019
PROJECT ENGINEER: [Signature]

CONTROL CERTIFICATION
LAMBERT COORDINATES: 210N, 1725E
40295-54-D

E-02

CHANGES TO LEGEND. SUMP PUMP ADDED.

NORTH PARK MINI PARK

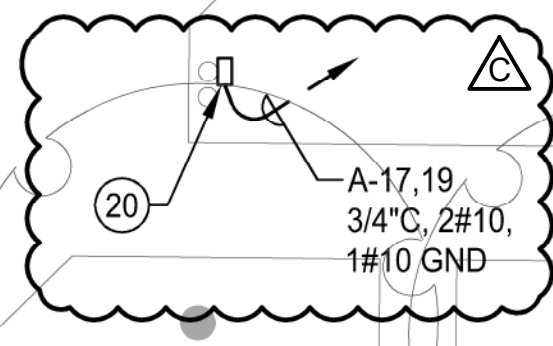
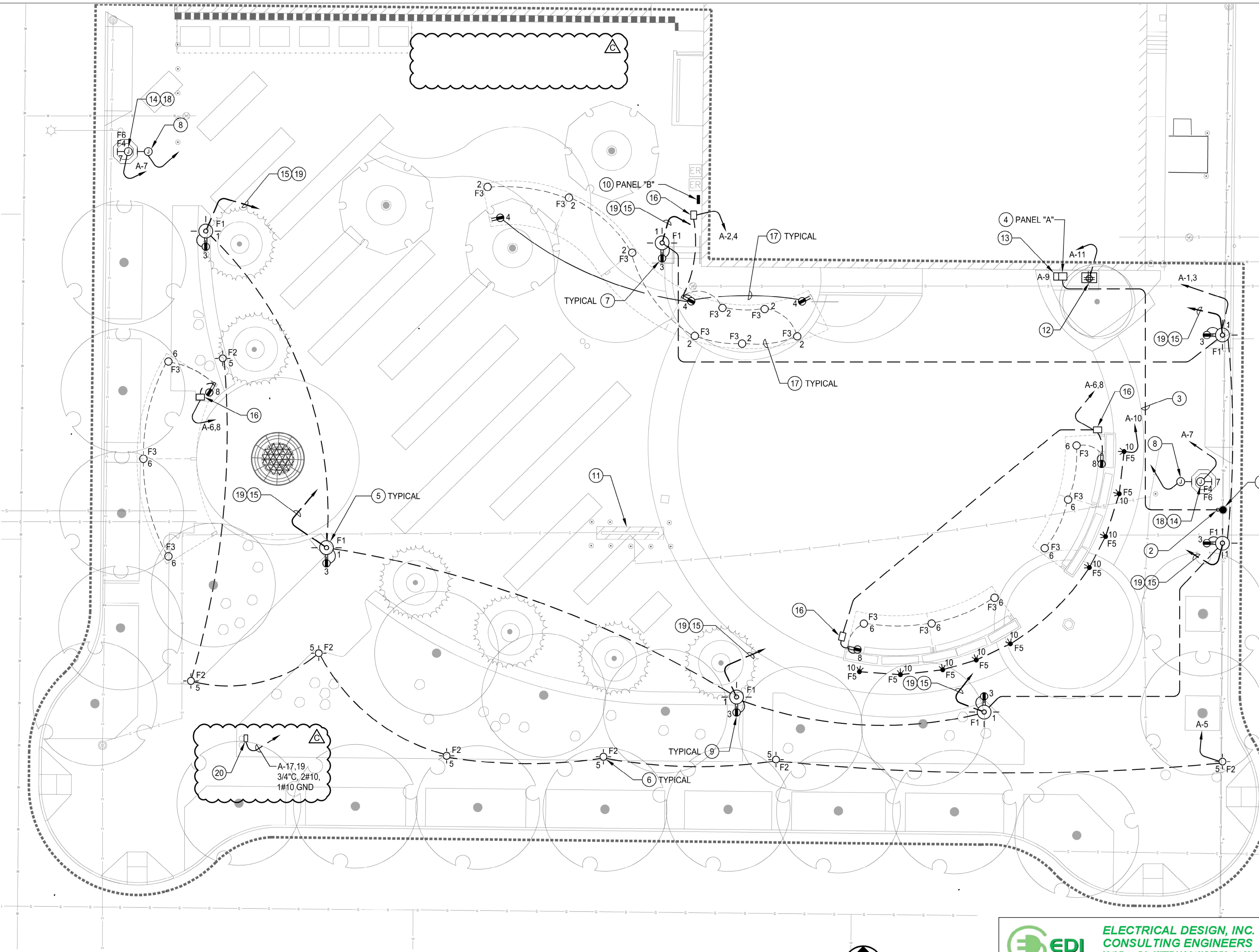
SHEET GENERAL NOTES

KEY	DESCRIPTION
1.	COORDINATE ALL WORK INCLUDING SCHEDULES, INSPECTIONS, EXACT POINTS OF CONNECTION AND ALL OTHER REQUIREMENTS PRIOR TO AND DURING CONSTRUCTION WITH SDG&E.
2.	REFER TO SDG&E SERVICE GUIDE FOR UNDERGROUND STANDARDS. CONTRACTOR TO FOLLOW LIMIT OF DISTURBANCE AS MUCH AS POSSIBLE.
3.	REFER TO SINGLE LINE DIAGRAM, PANEL SCHEDULE AND LIGHT FIXTURE SCHEDULE ON SHEET E0.2.
4.	MINIMUM BRANCH CIRCUIT CONDUIT SHALL BE 2". MINIMUM BRANCH CIRCUIT CONDUCTOR SHALL BE #10 AWG. CONDUIT RUNS SHOWN IS DIAGRAMMATIC. ROUTE ALL CONDUITS TO AVOID ALL IMPROVEMENTS, FOOTINGS AND TREE LOCATIONS.
5.	LIGHTING CONTROLS SHALL BE COMPATIBLE WITH THE CITY'S STANDARD G.E. LIGHT GRID SYSTEM.

CONSTRUCTION NOTES

KEY	DESCRIPTION
1	EXISTING SDG&E POLE-MOUNTED TRANSFORMER.
2	PROVIDE 4" POLE RISER.
3	PROVIDE SECONDARY CONDUIT.
4	PROVIDE METER PEDESTAL WITH INTEGRAL PANELBOARD, LIGHTING CONTACTORS (G.E. CR460 SERIES), ASTRONOMIC TIMECLOCK (INTERMATIC ET800 SERIES AND PHOTOCELL (RIPLEY 6390B SERIES) IN A COMMON STAINLESS STEEL RAINPROOF ENCLOSURE WITH THE IRRIGATION CONTROLLER (I.T.S. ICAS SERIES). PROVIDE WITH 4" HIGH PRECAST CONCRETE HOUSEKEEPING PAD. CONCRETE PAD SHALL EXTEND A MINIMUM 4" AROUND THE PEDESTAL FOOTPRINT.
5	PROVIDE CONCRETE POLE BASE FOR TYPE "F1" PER DETAIL 1, SHEET S3.7.
6	PROVIDE CONCRETE POLE BASE FOR TYPE "F2" PER DETAIL 2, SHEET S3.7.
7	PROVIDE GFCI WEATHERPROOF RECEPTACLE, IN LOCKABLE STAINLESS STEEL IN-USE COVER, AT PERGOLA. MOUNT 24" BELOW ROOF.
8	PROVIDE WEATHERPROOF J-BOX AND 3/4" C WITH PULLSTRING TO PANEL "A".
9	PROVIDE GFCI WEATHERPROOF RECEPTACLE, IN LOCKABLE STAINLESS STEEL IN-USE COVER, ON LIGHT POLE. MOUNT AT 8'-0" AFF.
10	PROVIDE PANELBOARD FOR STAGE POWER. MOUNT ON UNISTRUT.
11	DISCONNECT AND REMOVE ELECTRICAL PULL SECTION, METER, FUSED SWITCH, WIRE GUTTER AND ALL ELECTRICAL EQUIPMENT/DEVICES IN THE SHED BUILDING BEING DEMOLISHED.
12	PROVIDE QUAD RECEPTACLE INSIDE THE SECURITY SYSTEM CABINET.
13	PROVIDE 120V CIRCUIT TO IRRIGATION CONTROLLER.
14	PROVIDE POWER SUPPLY, DMX DRIVER AND OTHER COMPONENTS IN CABINET INSIDE THE CONCRETE BASE.
15	PROVIDE 3/4" CONDUIT WITH PULLSTRING, STUBBED UP INSIDE THE LIGHT POLE, TO THE SECURITY SYSTEM CABINET. COORDINATE EXACT REQUIREMENTS WITH THE SECURITY SYSTEM PROVIDER.
16	PROVIDE CONCRETE PULLBOX. SEE DETAIL 1 ON SHEET E-01.
17	ROUTE 12VDC AND 600V CABLES INSIDE HOLLOW COLUMNS AND BEAMS.
18	CONNECT TYPE "F6" FIXTURE TO THE SAME CIRCUIT FEEDING THE TYPE "F4" FIXTURE. REFER TO PYLON DETAIL FOR FIXTURE LOCATION.
19	A CLOUD-BASED, POWER-OVER-ETHERNET SECURITY CAMERA (MERAKI MV71) SHALL BE MOUNTED ON ALL TYPE "F1" FIXTURES. COORDINATE REQUIREMENTS WITH THE CITY OF SAN DIEGO PARKS AND REC.
20	PROVIDE POWER CONNECTION TO SUMP PUMP CONTROL PANEL (3/4 HP, 230V, 1Ø). CONNECTION FROM CONTROL PANEL TO SUMP PUMP SHALL BE BY OTHERS.

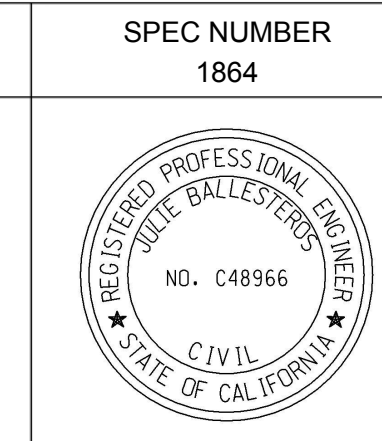
E-04



ELECTRICAL SITE PLAN



EDI ELECTRICAL DESIGN, INC. CONSULTING ENGINEERS
 9845 Erma Rd., SUITE 205 SAN DIEGO, CA 92131
 Tel: (858) 564-8985 Fax: (858) 564-8904
 www.edi-engineers.com



PLANS FOR THE CONSTRUCTION OF:
NORTH PARK MINI PARK
ELECTRICAL SITE PLAN

CITY OF SAN DIEGO, CALIFORNIA
 PUBLIC WORKS DEPARTMENT
 SHEET 56 OF 72 SHEETS

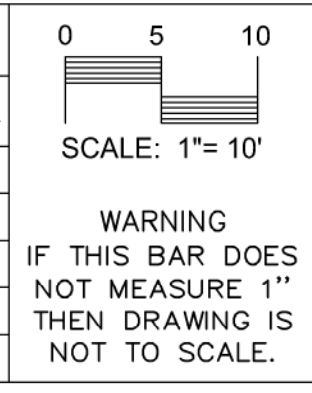
APPROVED: *Julie Ballesteros* 07-15-2019
 FOR CITY ENGINEER: JULIE BALLESTEROS DATE: 48966
 PRINT NAME: RICE

DESIGNED BY: KTUA
 PROJECT MANAGER: YOVANNA LEWIS

CONTRACTOR: _____ DATE STARTED: _____
 INSPECTOR: _____ DATE COMPLETED: _____

WBS TYPE: S-10050
 PROJECT ENGINEER: YOVANNA LEWIS
 CONTROL CERTIFICATION: 210N, 1725E
 LAMBERT COORDINATES: 40295-56-D

CONSTRUCTION CHANGE / ADDENDUM			
CHANGE	DATE	AFFECTED OR ADDED SHEET NUMBERS	APPROVAL NO.

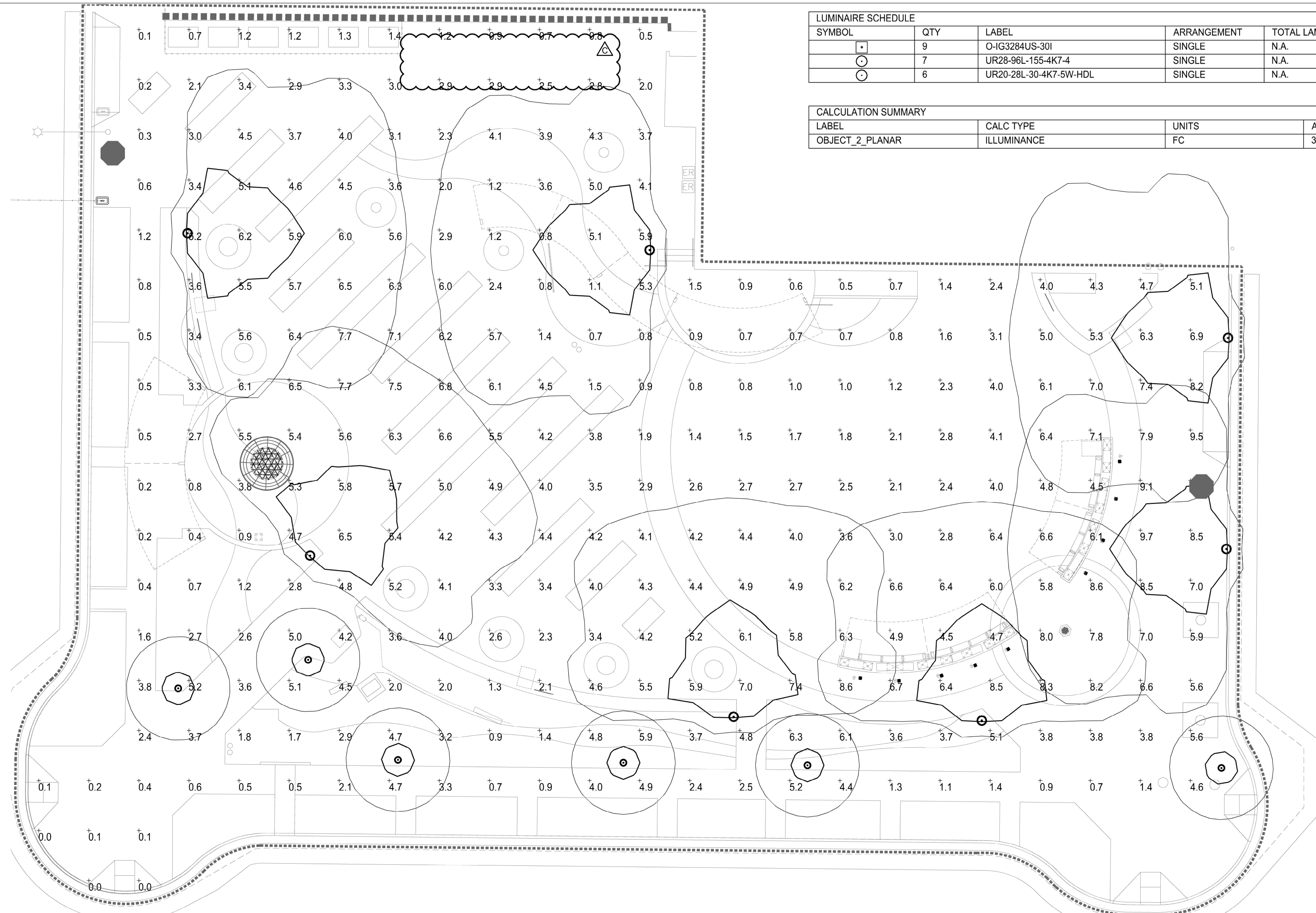


The City of **SAN DIEGO** Parks and Recreation

CONSULTANT

ktua 3916 Normal Street
 San Diego, CA 92103
 619.294.4477
 www.ktua.com

CHANGES TO PLAN AND LEGEND. SUMP PUMP ADDED. STORAGE CONTAINER REMOVED.



LUMINAIRE SCHEDULE						
SYMBOL	QTY	LABEL	ARRANGEMENT	TOTAL LAMP LUMENS	LLF	DESCRIPTION
⊙	9	O-IG3284US-30I	SINGLE	N.A.	0.900	O-IG3284US-30I
⊙	7	UR28-96L-155-4K7-4	SINGLE	N.A.	0.900	UR28-96L-155-4K7-4
⊙	6	UR20-28L-30-4K7-5W-HDL	SINGLE	N.A.	0.900	UR20-28L-30-4K7-5W-HDL

CALCULATION SUMMARY							
LABEL	CALC TYPE	UNITS	AVG	MAX	MIN	AVG/MIN	MAX/MIN
OBJECT_2_PLANAR	ILLUMINANCE	FC	3.74	9.7	0.0	N.A.	N.A.

PHOTOMETRIC CALCULATIONS



CONSTRUCTION CHANGE / ADDENDUM			
CHANGE	DATE	AFFECTED OR ADDED SHEET NUMBERS	APPROVAL NO.

0 5 10
SCALE: 1"=10'
WARNING
IF THIS BAR DOES
NOT MEASURE 1"
THEN DRAWING IS
NOT TO SCALE.



Parks and Recreation

EDI ELECTRICAL DESIGN, INC. CONSULTING ENGINEERS
9845 Irma Rd., SUITE 205 SAN DIEGO, CA 92131
Tel: (619) 564-8985 Fax: (619) 564-8904
www.edi-engineers.com

CONSULTANT



3916 Normal Street
San Diego, CA 92103
619.294.4477
www.ktua.com



PLANS FOR THE CONSTRUCTION OF:

NORTH PARK MINI PARK

PHOTOMETRIC CALCULATIONS

CITY OF SAN DIEGO, CALIFORNIA
PUBLIC WORKS DEPARTMENT
SHEET 51 OF 12 SHEETS

WBS TYPE: S-10050

FOR CITY ENGINEER: *Julie Ballesteros* DATE: 07-15-2019
PRINT NAME: JULIE BALLESTEROS DATE: 48966
PROJECT ENGINEER: YOVANNA LEWIS

DESCRIPTION	BY	APPROVED	DATE	FILMED	PROJECT ENGINEER
ADDENDUM	KTUA	<i>Julie Ballesteros</i>	08/12/2019		

CONTROL CERTIFICATION
210N, 1725E
LAMBERT COORDINATES
40295-57-D

CONTRACTOR: _____ DATE STARTED: _____
INSPECTOR: _____ DATE COMPLETED: _____

E-05

CHANGES TO PLAN. STORAGE CONTAINER REMOVED.

NORTH PARK MINI PARK

NEW LIFE LAUNDRY

NORTH PARK THEATER

POINT OF CONNECTION: A
 RELOCATED EX. POTABLE WATER METER: 1"
 BACKFLOW PREVENTER: 1"
 Y-STRAINER: 1"
 PEAK DEMAND: 10.0 GPM
 AVAILABLE WATER PRESSURE: 73 +/- 10 PSI
 ESTIMATED LANDSCAPE AREA (SQ.FT.): 5,220
 ESTIMATED LANDSCAPE AREA (ACRE): 0.12
 REFER TO SHEET LI-04, BLOW-UP PLAN 'A' FOR POINT OF CONNECTION LAYOUT

CONTROLLER ID: A
 STATIONS: 12
 TOTAL STATIONS USED: 7
 (STATION A-1 IS DESIGNATED FOR MASTER VALVE / FLOW SENSOR)
 REFER TO IRRIGATION LEGEND ON SHEET LI-02 AND GENERAL IRRIGATION NOTES ON SHEET LI-03 FOR ADDITIONAL CONTROLLER INFORMATION & MODEL NUMBERS.
 REFER TO SHEET LI-04, BLOW-UP PLAN 'B' FOR SITE UTILITY LAYOUT

REFERENCE LEGEND

SYMBOL	DESCRIPTION
①	12" POP-UP SHRUB ROTATOR W/ MP CORNER NOZZLE
② ③ ④	12" POP-UP SHRUB ROTATOR W/ MP800SR NOZZLE
⑤ ⑥	12" POP-UP SHRUB ROTATOR W/ MP STRIP NOZZLE
⊙	TREE BUBBLER SYSTEM (TWO BUBBLERS PER TREE)
⊙	TREE BUBBLER SYSTEM UNDER TREE GRATE (TWO BUBBLERS PER TREE)
POC	POINT OF CONNECTION
⊙	RELOCATED EXISTING 1" WATER METER
⊗	IRRIGATION AND DRINKING FOUNTAIN BACKFLOW PREVENTERS
⊙	WYE STRAINER
▲ MW	IRRIGATION MASTER VALVE (NORMALLY OPEN)
⊙ FS	FLOW SENSOR
---	COMMUNICATION CABLE (FOR FLOW SENSOR) (2" MIN.)
---	CONTROL WIRE ROUTE
▲	REMOTE CONTROL VALVE
△	REMOTE CONTROL VALVE DRIP IRRIGATION
⊙ A	AIR / VACUUM RELIEF VALVE
⊙ F	FLUSH VALVE (MANUAL OPERATION)
---	DRIP LINE
⊙ #GV	GLOBE VALVE (WITH SIZE NOTED)
⊙	QUICK COUPLING VALVE
⊙	AUTOMATIC IRRIGATION CONTROLLER WITH RAIN SENSOR
⊙ PB	PULL BOX
---	IRRIGATION MAINLINE 1-1/2" PVC SCH 40
---	IRRIGATION LATERAL LINE
---	TYPE "L" COPPER PIPE (DOWNSTREAM WATER METER)
---	POTABLE WATER LINE (FOR DRINKING FOUNTAIN)
---	SLEEVE / WIRE CONDUIT (2" MIN.)
⊙ IC-#	CONSTRUCTION NOTE (REFER TO IRRIGATION LEGEND AND NOTES, SHEET LI-02)

NOTE: FOR DETAILS, & MORE INFORMATION SEE FULL IRRIGATION LEGEND ON SHEET LI-02

IRRIGATION KEY NOTES

KEY	DESCRIPTION
①	NEW 1" POTABLE WATER METER.
②	INSTALL IRRIGATION MAINLINE, WIRE AND CONDUIT NORTH AND EAST OF SIDEWALK.

SHEET NOTES

- SEE SHEETS C-01 THROUGH C-10 FOR CIVIL DRAWINGS
- SEE SHEETS L-03 THROUGH L-20 FOR CONSTRUCTION NOTES, LEGENDS, SCHEDULES, & DETAILS
- SEE SHEETS A-01 THROUGH A-06 FOR PERGOLA PLANS & DETAILS
- SEE SHEETS S-01 THROUGH S-03 FOR STRUCTURAL DETAILS
- SEE SHEETS E-01 THROUGH E-09 FOR ELECTRICAL DRAWINGS
- SEE SHEETS LI-01 THROUGH LI-06 FOR IRRIGATION DRAWINGS, DETAILS, LEGEND & NOTES
- SEE SHEETS LP-01 THROUGH LP-04 FOR PLANTING DRAWINGS, DETAILS, LEGEND & NOTES
- SEE SPECIFICATIONS FOR MORE INFORMATION

LI-01

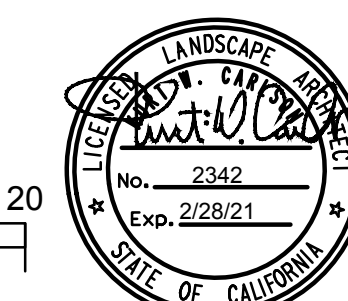
GRANADA AVENUE

29TH STREET

NORTH PARK WAY

00 05 10 20
 SCALE: 1" = 10'

NORTH



PLANS FOR THE CONSTRUCTION OF:
NORTH PARK MINI PARK
IRRIGATION PLAN

CITY OF SAN DIEGO, CALIFORNIA PUBLIC WORKS DEPARTMENT SHEET 62 OF 12 SHEETS		WBS TYPE S-10050
APPROVED FOR CITY ENGINEER JULIE BALLESTEROS DATE 07-15-2019 PRINT NAME JULIE BALLESTEROS DATE 48966 RCS	DATE 07-15-2019 DATE 48966	MANAGED BY YOVANNA LEWIS PROJECT MANAGER
DESCRIPTION ADDENDUM	BY KTUA	APPROVED DATE FILMED
CONTRACTOR		CONTROL CERTIFICATION 210N, 1725E LAMBERT COORDINATES 40295-62-D

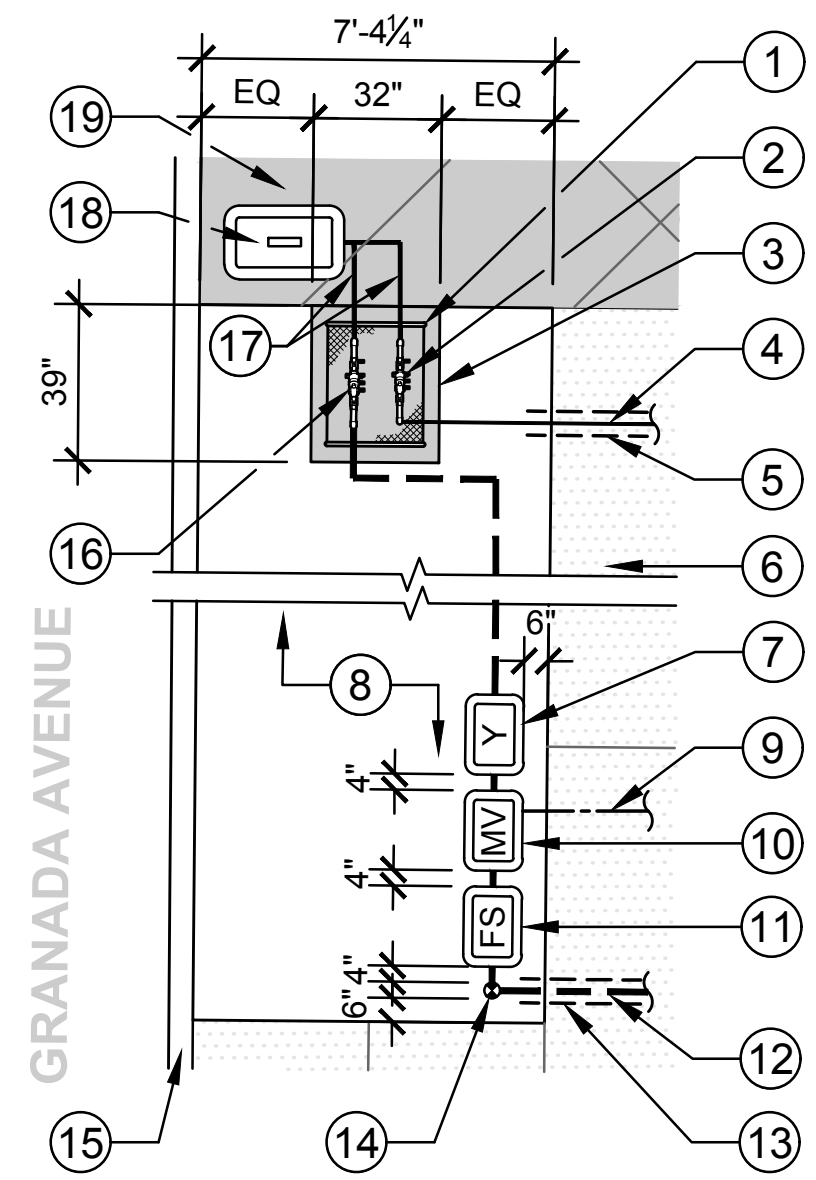
CONSULTANT

3916 Normal Street
 San Diego, CA 92103
 619.294.4477
 www.ktua.com

The City of **SAN DIEGO** Parks and Recreation

CONSTRUCTION CHANGE / ADDENDUM			
CHANGE	DATE	AFFECTED OR ADDED SHEET NUMBERS	APPROVAL NO.

CHANGES TO PLAN. IRRIGATION ALTERED.



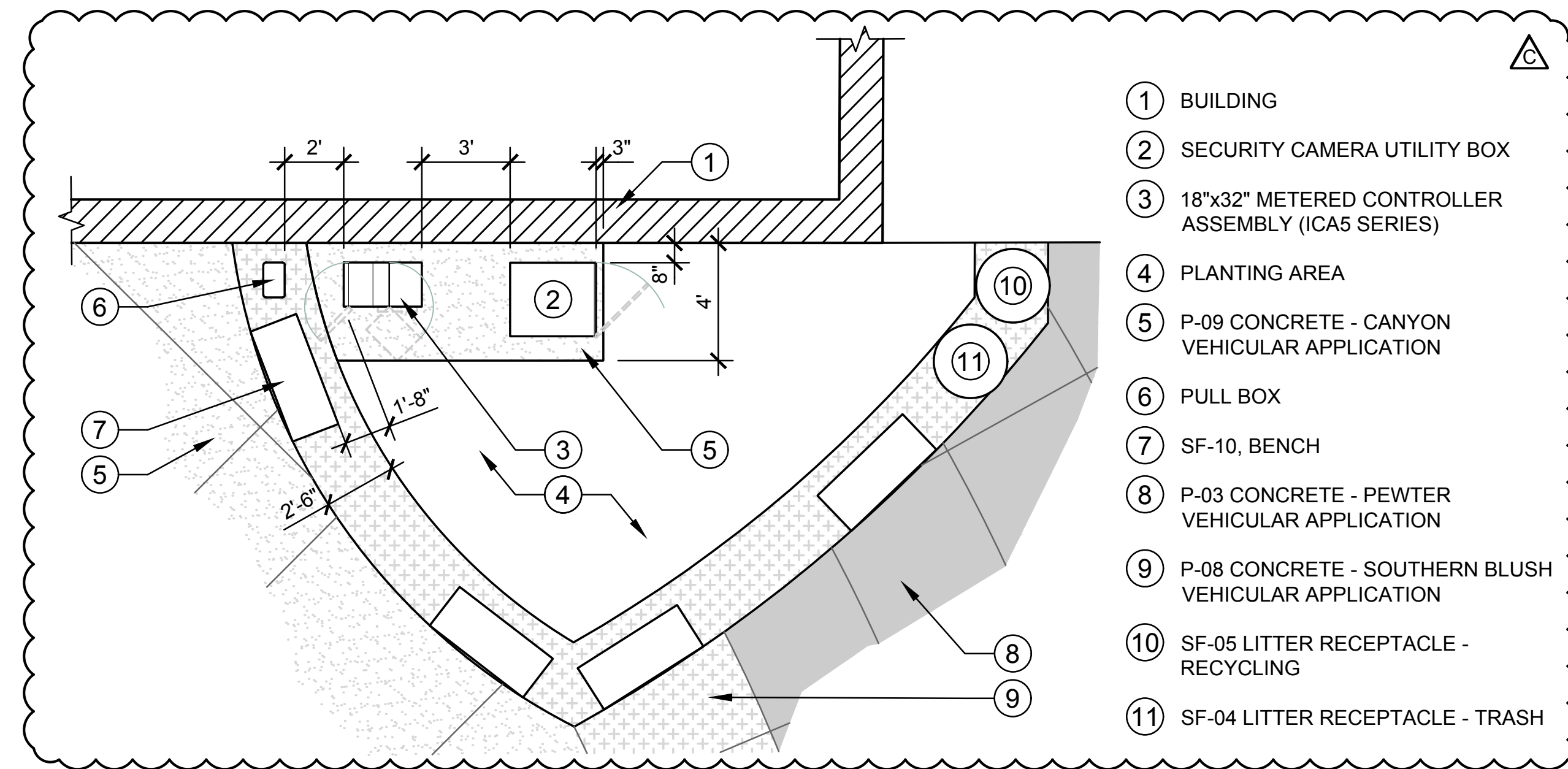
- ① BACKFLOW PREVENTER ENCLOSURE
- ② BACKFLOW PREVENTER FOR DRINKING FOUNTAIN
- ③ BACKFLOW PREVENTER CONCRETE SLAB, P-04 - PEWTER PEDESTRIAN APPLICATION
- ④ 3/4" COPPER PIPE DRINKING FOUNTAIN POTABLE WATER LINE
- ⑤ 1-1/2" PVC SCH 40 SLEEVE
- ⑥ P-04 CONCRETE - PEWTER PEDESTRIAN APPLICATION
- ⑦ WYE STRAINER IN BOX
- ⑧ PLANTING AREA
- ⑨ COMMUNICATION CABLE IN 2" PVC SCH 40 CONDUIT PIPE (FOR FLOW SENSOR)
- ⑩ MASTER VALVE
- ⑪ FLOW SENSOR
- ⑫ 1-1/2" PVC SCH 40 IRRIGATION MAINLINE
- ⑬ 3" PVC SCH 40 SLEEVE
- ⑭ 1-1/2" GATE VALVE
- ⑮ CONCRETE CURB PER CIVIL ENGINEER DRAWINGS
- ⑯ BACKFLOW PREVENTER FOR IRRIGATION SYSTEM
- ⑰ TYPE "L" COPPER PIPE
- ⑱ 1" NEW WATER METER PER CIVIL ENGINEER DRAWINGS
- ⑲ P-03 CONCRETE - PEWTER VEHICULAR APPLICATION

NOTES:

1. REFER TO CONSTRUCTION LEGEND, SHEET L-04 FOR PAVING TYPES AND COLORS.
2. REFER TO IRRIGATION LEGEND, SHEET LI-02 FOR IRRIGATION EQUIPMENT AND PIPE TYPES.

A POINT OF CONNECTION LAYOUT BLOW-UP PLAN

NOT TO SCALE



- ① BUILDING
- ② SECURITY CAMERA UTILITY BOX
- ③ 18"x32" METERED CONTROLLER ASSEMBLY (ICA5 SERIES)
- ④ PLANTING AREA
- ⑤ P-09 CONCRETE - CANYON VEHICULAR APPLICATION
- ⑥ PULL BOX
- ⑦ SF-10, BENCH
- ⑧ P-03 CONCRETE - PEWTER VEHICULAR APPLICATION
- ⑨ P-08 CONCRETE - SOUTHERN BLUSH VEHICULAR APPLICATION
- ⑩ SF-05 LITTER RECEPTACLE - RECYCLING
- ⑪ SF-04 LITTER RECEPTACLE - TRASH

NOTE:
REFER TO CONSTRUCTION LEGEND, SHEETS L-04 AND L-05 FOR PAVING, BENCH AND STEEL HEADER TYPES AND COLORS.

B SITE UTILITY LAYOUT BLOW-UP PLAN

NOT TO SCALE

LI-04

CONSTRUCTION CHANGE / ADDENDUM			
CHANGE	DATE	AFFECTED OR ADDED SHEET NUMBERS	APPROVAL NO.



CONSULTANT



3916 Normal Street
San Diego, CA 92103
619.294.4477
www.ktua.com



PLANS FOR THE CONSTRUCTION OF:

**NORTH PARK MINI PARK
IRRIGATION DETAILS**

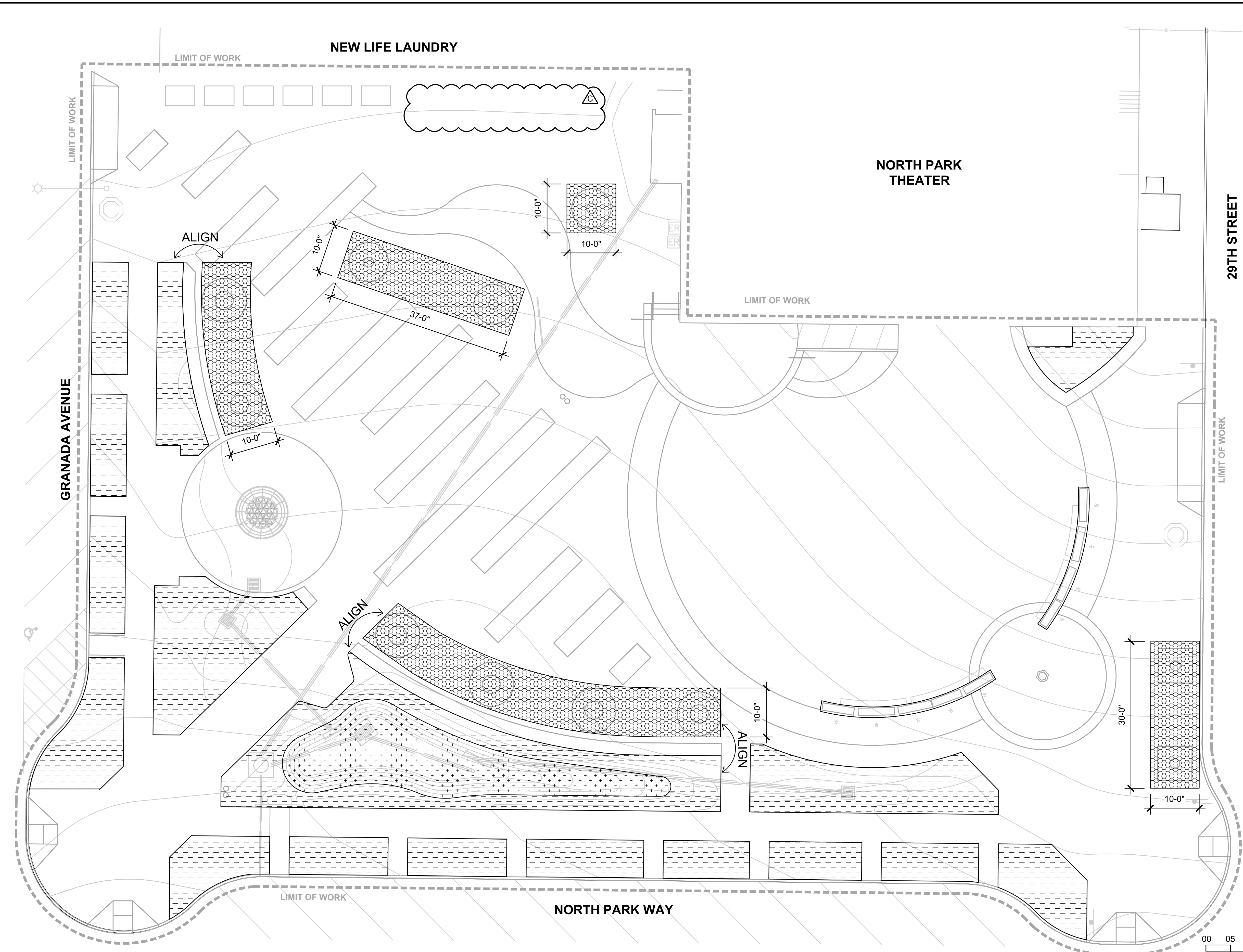
CITY OF SAN DIEGO, CALIFORNIA PUBLIC WORKS DEPARTMENT SHEET 65 OF 12 SHEETS		WBS TYPE S-10050
APPROVED FOR CITY ENGINEER JULIE BALLESTEROS PRINT NAME	DATE 07-15-2019 48966	DESIGNED BY YOVANNA LEWIS PROJECT MANAGER
DESCRIPTION ADDENDUM	BY KTUA	APPROVED DATE FILMED [Signature] 08/12/2019
CONTRACTOR		CONTROL CERTIFICATION 210N, 1725E LAMBERT COORDINATES 40295-65-D
INSPECTOR		DATE STARTED DATE COMPLETED

CHANGES TO DETAIL. IRRIGATION ALTERED.

NORTH PARK MINI PARK

SOIL LEGEND	
SYMBOL	DESCRIPTION
	BIO-FILTRATION SOIL MEDIA - 18" DEEP (810 SF)
	PLANTING SOIL MEDIA - 18" DEEP (4,734 SF)
	CU-STRUCTURAL SOIL - 4" DEEP (1,850 SF)

SHEET NOTES	
1.	SEE SHEETS L-01 THRU L-20 FOR CONSTRUCTION NOTES, LEGENDS, SCHEDULES, & DETAILS
2.	SEE SHEETS C-01 THRU C-11 FOR CIVIL DRAWINGS
3.	SEE SHEETS E-01 THRU E-09 FOR ELECTRICAL DRAWINGS
4.	SEE SHEETS LI-01 THRU LI-06 FOR IRRIGATION DRAWINGS, DETAILS, LEGEND & NOTES
5.	SEE SHEETS LP-01 THRU LP-04 FOR PLANTING DRAWINGS, DETAILS, LEGEND & NOTES
6.	SEE SPECIFICATIONS FOR MORE INFORMATION



29TH STREET

GRANADA AVENUE

NEW LIFE LAUNDRY

NORTH PARK THEATER

NORTH PARK WAY

LS-01



SCALE: 1" = 10'



PLANS FOR THE CONSTRUCTION OF:		NORTH PARK MINI PARK		WBS TYPE	
		LANDSCAPE SOIL PLAN		S-10050	
CITY OF SAN DIEGO, CALIFORNIA PUBLIC WORKS DEPARTMENT SHEET 68 OF 12 SHEETS				DATE: 07-15-2019	
APPROVED FOR CITY ENGINEER: JULIE BALLESTEROS				DATE: 48966	
PRINT NAME: JULIE BALLESTEROS				PROJECT MANAGER: YOVANNA LEWIS	
DESCRIPTION: ADDENDUM				PROJECT ENGINEER: YOVANNA LEWIS	
BY: KTUA				CONTROL CERTIFICATION: 210N, 1725E	
APPROVED: [Signature]				LAMBERT COORDINATES: 40295-68-D	
DATE: 08/12/2019				CONTRACTOR: [Blank]	
CONTRACTOR: [Blank]				DATE STARTED: [Blank]	
INSPECTOR: [Blank]				DATE COMPLETED: [Blank]	

CONSULTANT

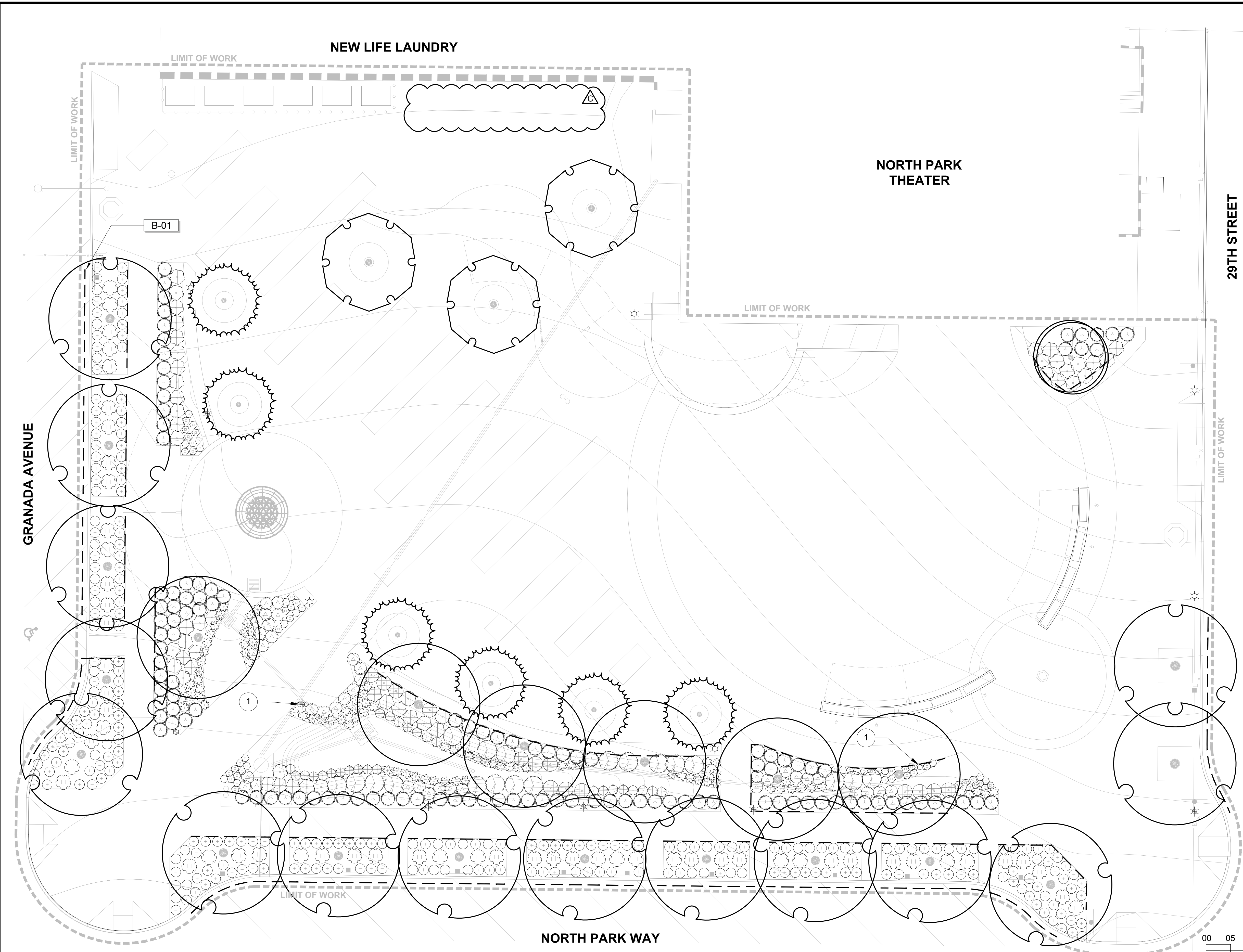
3916 Normal Street
San Diego, CA 92103
619.294.4477
www.ktua.com

SPEC NUMBER 1864

The City of **SAN DIEGO** Parks and Recreation

CONSTRUCTION CHANGE / ADDENDUM			
CHANGE	DATE	AFFECTED OR ADDED SHEET NUMBERS	APPROVAL NO.

CHANGES TO PLAN. STORAGE CONTAINER REMOVED.



PLANTING LEGEND

KEY	SYMBOL	NAME	QTY.
PAVING & SURFACING			
B-01	---	ROOT BARRIER	
TREES			
GP		GEIJERA PARVIFLORA AUSTRALIAN WILLOW	15
LN		LAGERSTROEMIA X 'NATCHEZ' CRAPE MYRTLE	6
LT		LAGERSTROEMIA X 'TUSCARORA' CRAPE MYRTLE CORAL PINK	1
QV		QUERCUS VIRGINIANA SOUTHERN LIVE OAK	6
TI		TABEBUIA IMPETIGINOSA PINK TRUMPET TREE	3

KEY	SYMBOL	NAME	QTY.
SHRUBS			
CH		CHONDROPETALUM TECTORUM CAPE RUSH	118
DC		DIANELLA CAERULEA 'CLARITY BLUE' DIANELLA	88
DT		DIANELLA TASMANICA 'VARIEGATA' FLAX LILY	252
DG		DIETES GRANDIFLORA FORTNIGHT LILY	56
GS		GAZANIA X 'SUNBURST' GAZANIA	59
JP		JUNCUS PATENS CALIFORNIA GRAY RUSH	26
LS		LAVANDULA STOECHAS 'OTTO QUAST' OTTO QUAST SPANISH LAVENDER	38
LB		LOMANDRA LONGIFOLIA 'BREEZE' DWARF MAT RUSH	47
MC		MUHLENBERGIA CAPILLARIS PINK MUHLY	16
WF		WESTRINGIA FRUTICOSA 'GREY BOX' COAST ROSEMARY	20

- SHEET NOTES**
- SEE SHEETS C-01 THRU C-11 FOR CIVIL DRAWINGS
 - SEE SHEETS L-03 THRU L-20 FOR CONSTRUCTION NOTES, LEGENDS, SCHEDULES, & DETAILS
 - SEE SHEETS A-01 THRU A-06 FOR PERGOLA PLANS & DETAILS
 - SEE SHEETS S-01 THRU S-03 FOR STRUCTURAL DETAILS
 - SEE SHEETS E-01 THRU E-09 FOR ELECTRICAL DRAWINGS
 - SEE SHEETS LI-01 THRU LI-06 FOR IRRIGATION DRAWINGS, DETAILS, LEGEND & NOTES
 - SEE SHEETS LP-01 THRU LP-04 FOR PLANTING DRAWINGS, DETAILS, LEGEND & NOTES
 - SEE SPECIFICATIONS FOR MORE INFORMATION

PLANTING NOTES

KEY	DESCRIPTION	
1	LIGHTING PER CONSTRUCTION PLAN.	LP-01

CONSTRUCTION CHANGE / ADDENDUM			
CHANGE	DATE	AFFECTED OR ADDED SHEET NUMBERS	APPROVAL NO.



CONSULTANT



3916 Normal Street
San Diego, CA 92103
619.294.4477
www.ktua.com



PLANS FOR THE CONSTRUCTION OF:

**NORTH PARK MINI PARK
PLANTING PLAN**

CITY OF SAN DIEGO, CALIFORNIA
PUBLIC WORKS DEPARTMENT
SHEET 69 OF 72 SHEETS

APPROVED FOR CITY ENGINEER: *Julie Ballesteros*
DATE: 07-15-2019
PRINT NAME: JULIE BALLESTEROS
RICE

DESIGNED BY: KTUA
APPROVED BY: *Julie Ballesteros*
DATE: 08/12/2019

WBS TYPE: S-10050
SUBMITTED BY: YOVANNA LEWIS
PROJECT MANAGER

PROJECT ENGINEER

CONTROL CERTIFICATION
210N, 1725E
LAMBERT COORDINATES
40295-69-D

CONTRACTOR: _____ DATE STARTED: _____
INSPECTOR: _____ DATE COMPLETED: _____

CHANGES TO PLAN. STORAGE CONTAINER REMOVED.

NORTH PARK MINI PARK